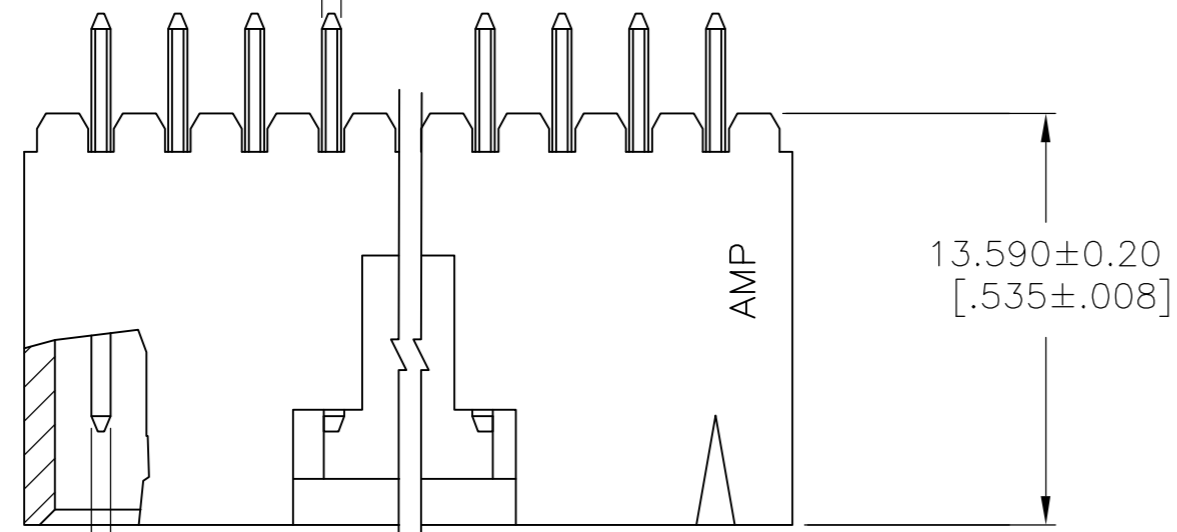


THIS DRAWING IS UNPUBLISHED. RELEASED FOR PUBLICATION  
 © COPYRIGHT BY TYCO ELECTRONICS CORPORATION. ALL RIGHTS RESERVED.

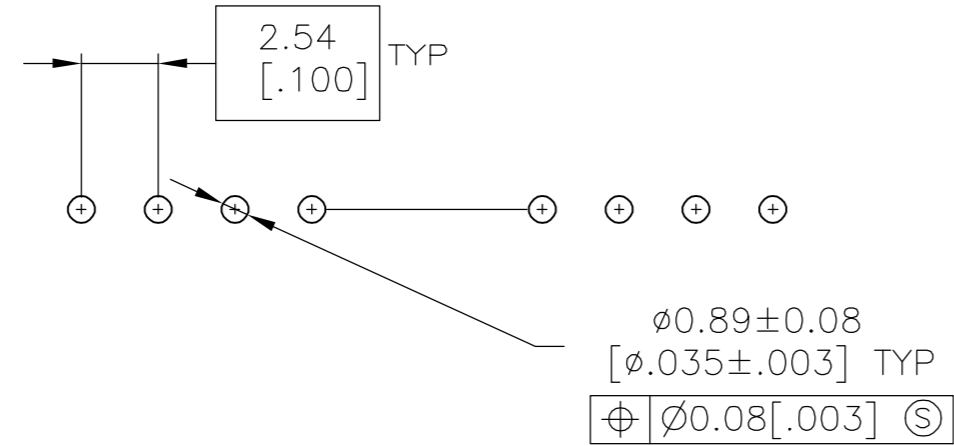
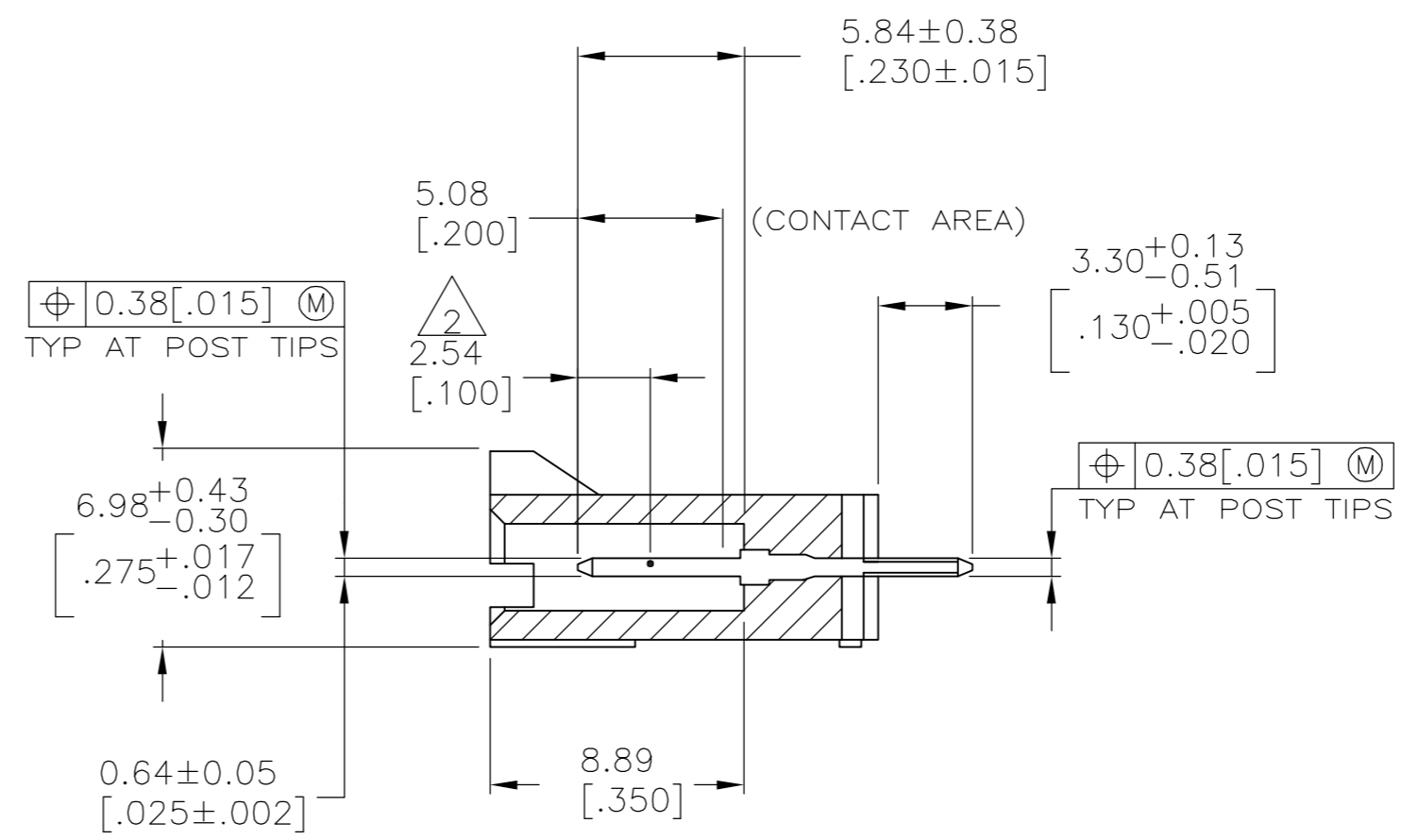
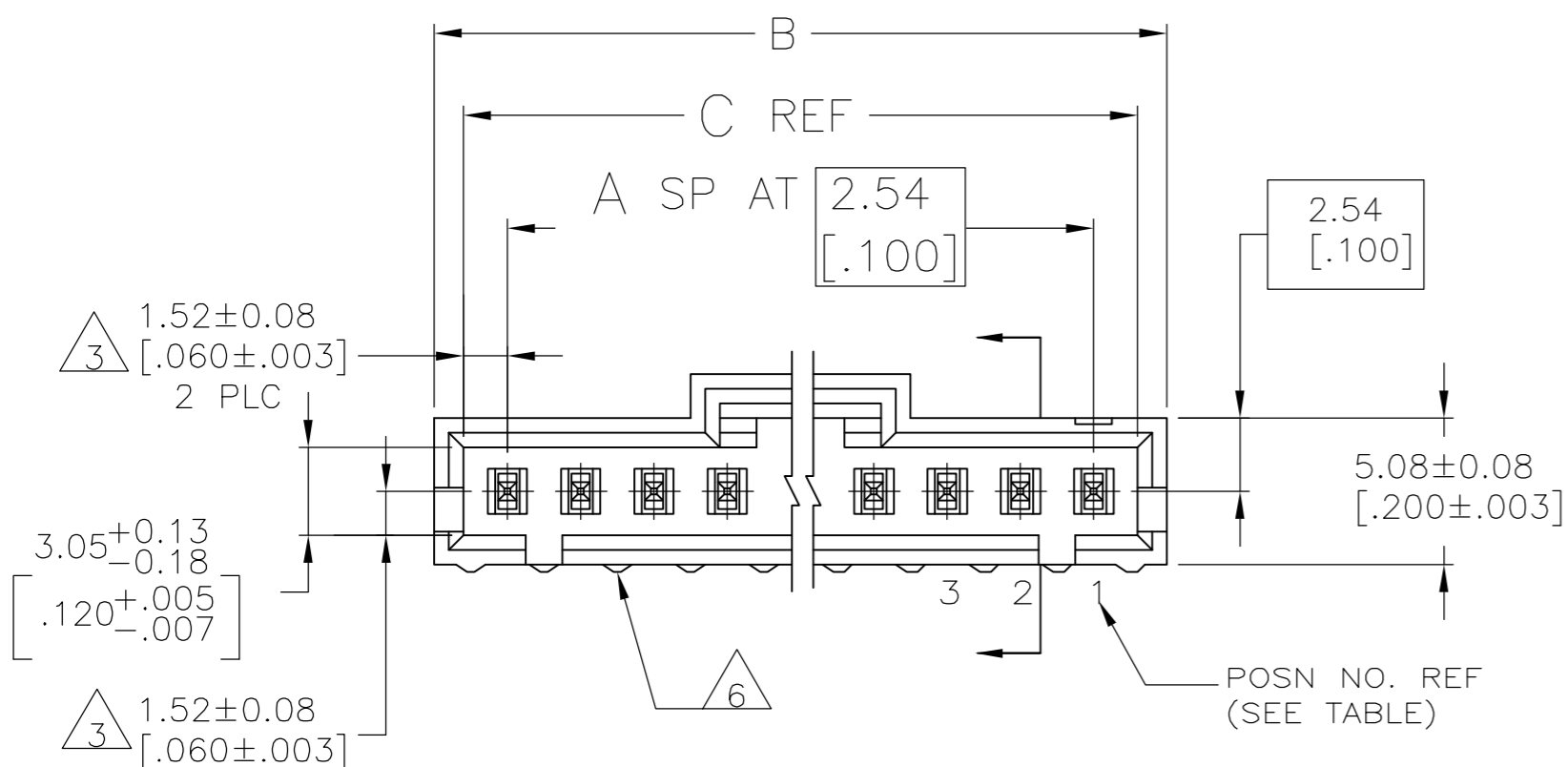
LOC		DIST		REVISIONS			
P	LTR	DESCRIPTION		DATE	DWN	APVD	
F		EC 0G3C 0786 04		29JAN05	BSV	JLG	

$\phi 0.38[.015]$  (M)  
TYP AT POST TIPS



0.64±0.02  
[.025±.001]  $\phi 0.38[.015]$  (M)  
TYP AT POST TIPS

- 1 .00076[.000030] GOLD IN THE CONTACT AREA, .00254[.000100] - .00508[.000200] MATTE TIN-LEAD ON THE SOLDER TAIL, ALL OVER .00127[.000050] NICKEL.
- 2 POINT OF MEASUREMENT FOR PLATING THICKNESS.
- 3 THE NOTED DIMENSIONS APPLY AT THE INTERSECTION OF THE POST AND THE HOUSING.
- 4 .00076[.000030] GOLD IN THE CONTACT AREA, .00254[.000100] - .00508[.000200] MATTE TIN ON THE SOLDER TAIL, ALL OVER .00127[.000050] NICKEL.
- 5 HIGH TEMPERATURE CONFIGURATION.
- 6 STANDOFF NOT PRESENT ON UNDERSIDE OF ASSEMBLY



RECOMMENDED HOLE LAYOUT

6 5	4	2,3,5,6,9,10,13,14	41.15 [1.620]	43.18 [1.700]	15	16	5-104912-2
6 5	4	2, 4, 6, 8, 10	28.45 [1.120]	30.48 [1.200]	10	11	5-104912-1
	1	2,3,5,6,9,10,13,14	41.15 [1.620]	43.18 [1.700]	15	16	104912-2
	1	2, 4, 6, 8, 10	28.45 [1.120]	30.48 [1.200]	10	11	104912-1
REMARKS	PLATING	POST NUMBER OMITTED	C	B	A	NO. OF POSN	PART NO.

THIS DRAWING IS A CONTROLLED DOCUMENT.		DWN E.BRANDBERG 20-7-94	tyco Tyco Electronics Corporation	
DIMENSIONS: mm [INCHES]		CHK J.GESFORD 20-7-94	Harrisburg, Pa 17105-3608	
TOLERANCES UNLESS OTHERWISE SPECIFIED:		APVD J.GESFORD 20-7-94	NAME	
0 PLC ± -	1 PLC ± -	PRODUCT SPEC	HDR ASSY, VERT, SINGLE ROW	
2 PLC ± 0.13[.005]	3 PLC ± -	APPLICATION SPEC	2.54[.100]CL, 0.64[.025] SQ POST,	
4 PLC ± -	ANGLES ± -	108-25034	WITH PLZN, AMPMODU MTE	
FINISH SEE TABLE		114-25026	SIZE A2	CAGE CODE 00779
MATERIAL: HOUSING: FLAME RETARDANT THERMOPLASTIC COLOR - BLACK CONTACTS: BRASS		WEIGHT -	DRAWING NO C=104912	RESTRICTED TO -
		CUSTOMER DRAWING	SCALE 4:1	SHEET 1 OF 1
			REV F	

单击下面可查看定价，库存，交付和生命周期等信息

[>>TE Connectivity\(泰科\)](#)