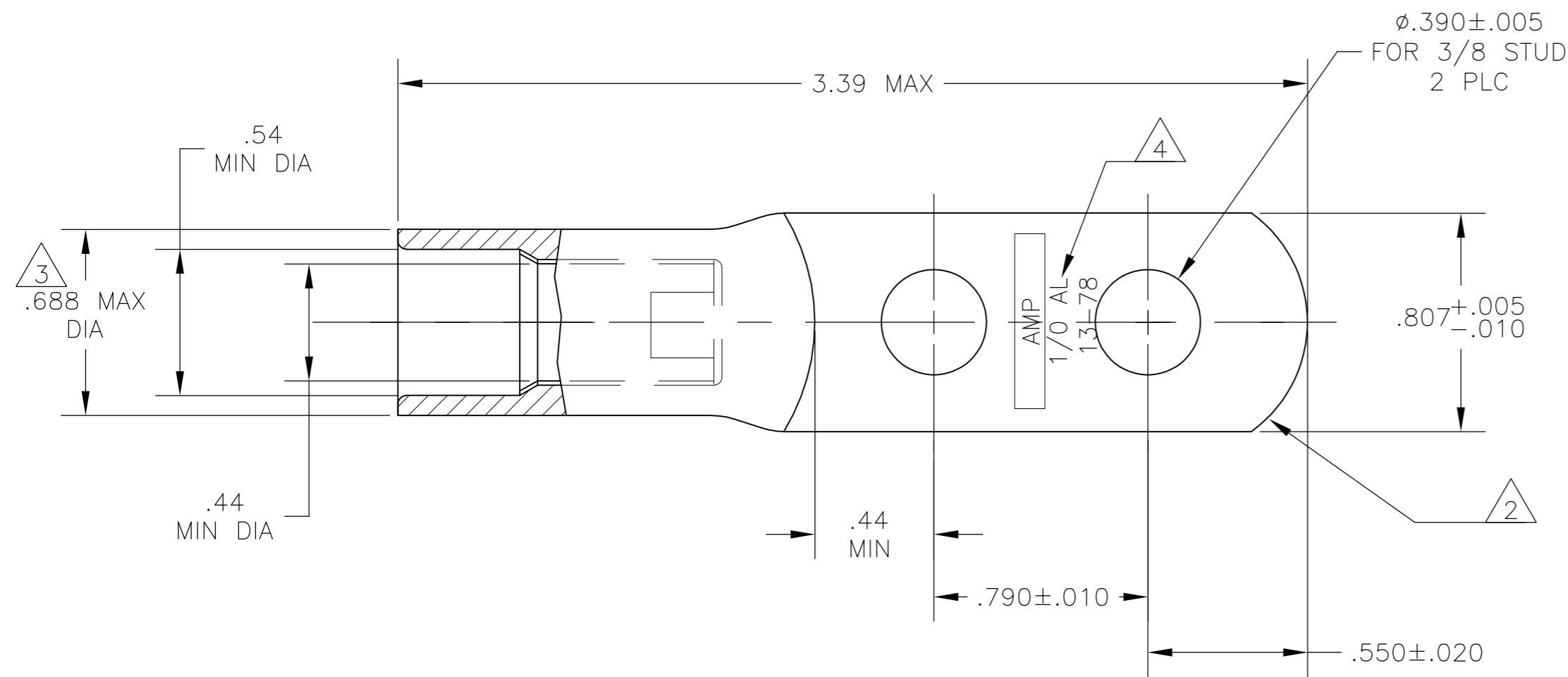
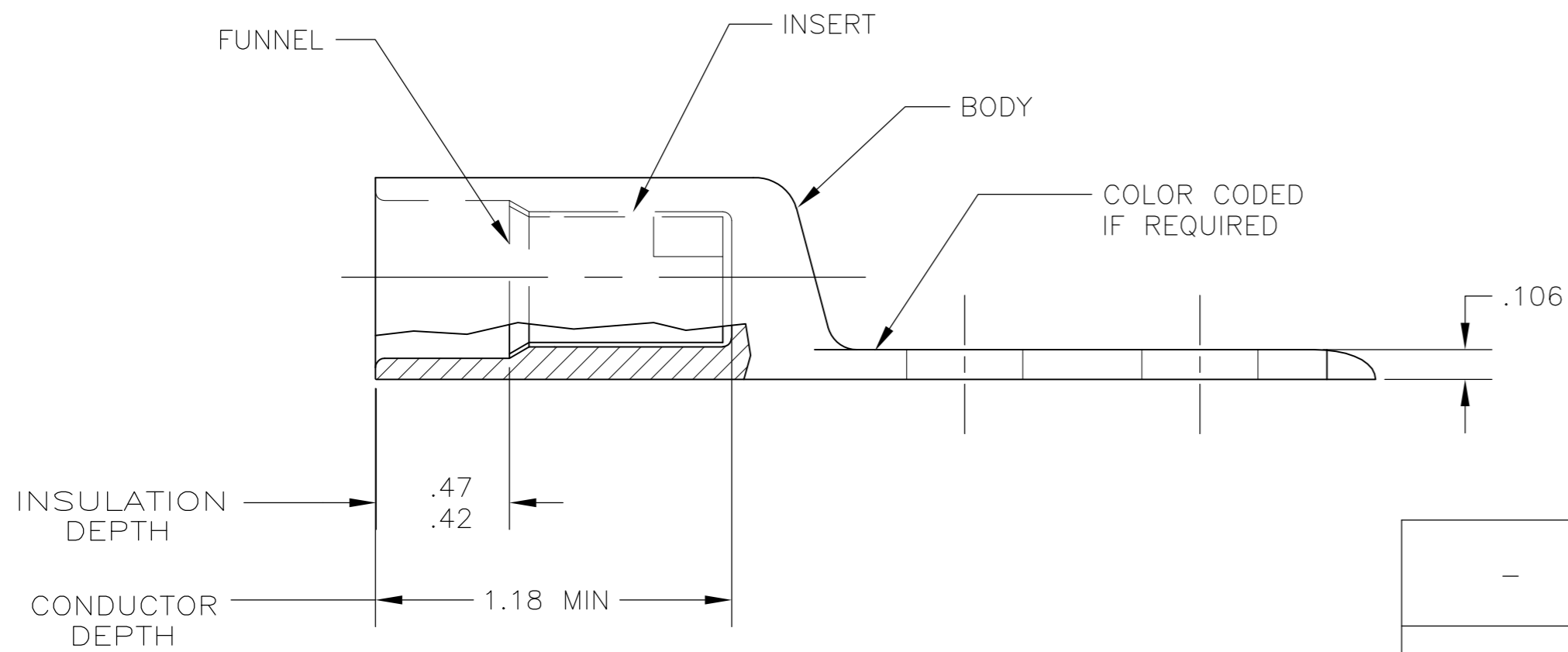


THIS DRAWING IS UNPUBLISHED. RELEASED FOR PUBLICATION  
 © COPYRIGHT BY TYCO ELECTRONICS CORPORATION. ALL RIGHTS RESERVED.

LOC	DIST	REVISIONS					
		P	LTR	DESCRIPTION	DATE	DWN	APVD
G	86						
		2		CHANGED STAMP TO AMP	20JUN07	HMR	JR



- 1 WIRE INSULATION: .465—.513 DIA
- 2 THE TONGUE RADIUS FEATURE IS NOT A TOOLING CONTROLLED DIMENSION AND MAY NOT BE A TRUE RADIUS.
- 3 FLASH PERMITTED ±.020
- 4 STAMP "AMP 1/0 AL 13-78" SIZE AND LOCATION APPROX AS SHOWN SEE TABLE FOR QUALIFICATION PORTION OF STAMP  
M = MACHINED PART  
U = UNQUALIFIED  
P = PRODUCTION ( IMPACT PART )
- 5 PRELIMINARY — NOT FOR PRODUCTION INSULATION CRIMP MUST BE QUALIFIED BY TYCO ENGR. BEFORE BEING RELEASED TO PRODUCTION.



-	PRODUCTION AND QUALIFIED	P AMP	INSERT & FUNNEL: BRASS MIL-C-50 NICKEL PL QQ-N-290 .000300 AVG THK  BODY: COPPER ASTM-B187 ANNEALED TIN PL PER ASTM B-545 .000150 MIN THK	5 696959-4
RED STRIPE	PRODUCTION AND UNQUALIFIED	P AMP U		5 696959-3
-	MACHINED AND QUALIFIED	M AMP		5 696959-2
RED STRIPE	MACHINED AND UNQUALIFIED	M AMP U		5 696959-1
COLOR CODE	QUALIFICATION DESCRIPTION 4	QUALIFICATION STAMP 4		MATERIAL & FINISH

THIS DRAWING IS A CONTROLLED DOCUMENT.		DWN JR RUTH 09MAY06	Tyco Electronics Corporation Harrisburg, PA 17105-3608	
DIMENSIONS: INCHES		CHK MJ SPICER 09MAY06	NAME	
TOLERANCES UNLESS OTHERWISE SPECIFIED:		APVD MJ SPICER 09MAY06	PRODUCT SPEC	
0 PLC ± - 1 PLC ± - 2 PLC ± - 3 PLC ± .008 4 PLC ± - ANGLES ± -		APPLICATION SPEC	WIRE TERMINAL, RING TONGUE SEALED COPALUM, 2 HOLE WIRE SIZE: 1/0 ALUMINUM	
MATERIAL SEE TABLE	FINISH SEE TABLE	WEIGHT 62 GRAMS	SIZE A2	CAGE CODE 00779
		CUSTOMER DRAWING	DRAWING NO C=696959	RESTRICTED TO -
		SCALE 2:1	SHEET 1 of 1	REV 2

单击下面可查看定价，库存，交付和生命周期等信息

[>>TE Connectivity\(泰科\)](#)