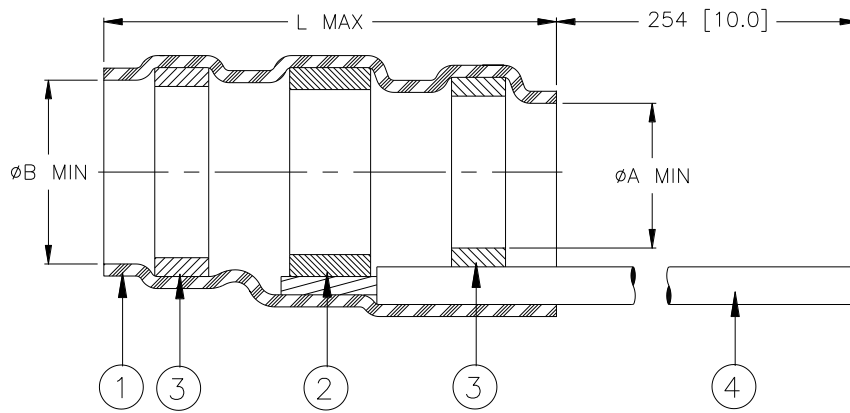


CUSTOMER DRAWING



Product Name	Product Dimensions			Cable Dimensions				
	øA min	øB min	L max	øD max	øE min	øF min	øG max	J
CWT-7-W116-9	6.40 (0.252)	7.30 (0.287)	32.50 (1.280)	7.30 (0.287)	3.30 (0.130)	2.80 (0.110)	6.40 (0.252)	11.00±1.00 (0.433±0.040)
CWT-9-W116-9	8.70 (0.343)	9.20 (0.362)	35.50 (1.398)	9.0(0.362)	4.50 (0.177)	4.00 (0.157)	8.70 (0.343)	12.00±1.00 (0.472±0.040)
CWT-11-W116-9	10.00 (0.394)	11.50 (0.453)	35.50 (1.398)	11.50 (0.453)	4.50 (0.177)	4.00 (0.157)	10.00 (0.394)	13.00±1.00 (0.512±0.040)
CWT-13-W116-9	13.00 (0.512)	15.10 (0.594)	45.50 (1.791)	15.10 (0.594)	7.00 (0.276)	6.50 (0.256)	13.00 (0.512)	17.00±1.00 (0.669±0.040)

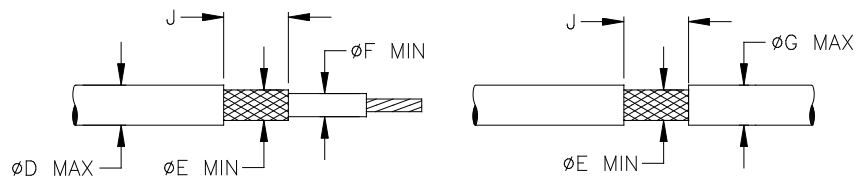
MATERIALS

- INSULATION SLEEVE: Transparent heat-shrinkable radiation cross-linked modified polyolefin.
- SOLDER PREFORM WITH FLUX:
 - SOLDER: TYPE Cd18 per ANSI/J-STD-006.
 - FLUX: TYPE ROM1 per ANSI/J-STD-004.
- MELTABLE SEALING RING: Thermally stabilized thermoplastic.
- GROUND LEAD: Raychem cross-linked polyethylene wire, AWG16, stranded tin-plated copper. Color: white.

APPLICATION

- These controlled soldering devices are designed for termination of a bare or tin-plated copper shield on a cable having an insulation rated for at least +85°C, meeting the dimensional criteria listed in the table above.
- Temperature range: -55°C to +125°C.
- When installed properly, these devices will meet the requirements of Tyco Electronics/Raychem Specification RT-1404.
- For installation procedure and application equipment, consult Tyco Electronics/Raychem RPIP 824-00.

For best results, prepare the cable as shown:



TE Connectivity, TE connectivity (logo), Raychem, and SolderSleeve are trademarks

			TITLE: SOLDERSLEEVE TERMINATOR WITH PRE-INSTALLED LEAD			
Unless otherwise specified dimensions are in millimeters. [Inches dimensions are shown in brackets]		Raychem Devices	DOCUMENT NO.: CWT-XX-W116-9			
TOLERANCES: 0.00 ± 0.02 MM 0.0 ± 0.2 MM 0 ± 0.5 MM	ANGLES: ± 0°30' ROUGHNESS IN MICRON	TE Connectivity reserves the right to amend this drawing at any time. Users should evaluate the suitability of the product for their application.		Revision : D		Issue Date : April 2020
PREPARED BY: <i>TNGUYEN</i>	CAGE CODE: 06090	DATE: April 21, 2020	ECO: ECO-20-004959	SCALE: NTS	SIZE: A	SHEET: 1 of 1

© 2020 Tyco Electronics Corporation. All rights reserved.

If this document is printed it becomes uncontrolled. Check for the latest revision.

单击下面可查看定价，库存，交付和生命周期等信息

[>>TE Connectivity\(泰科\)](#)