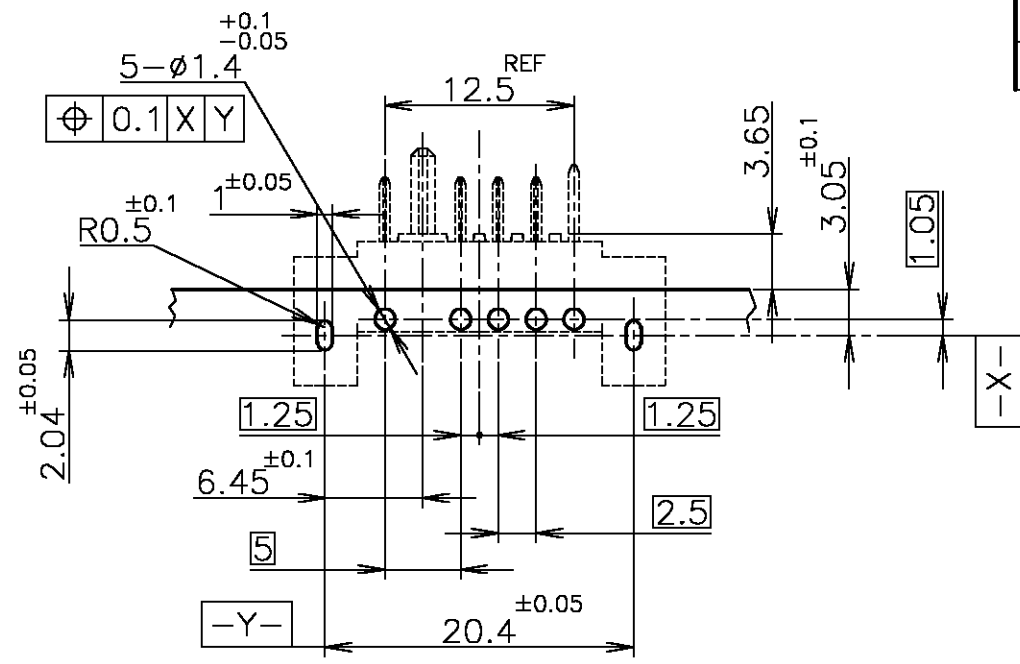
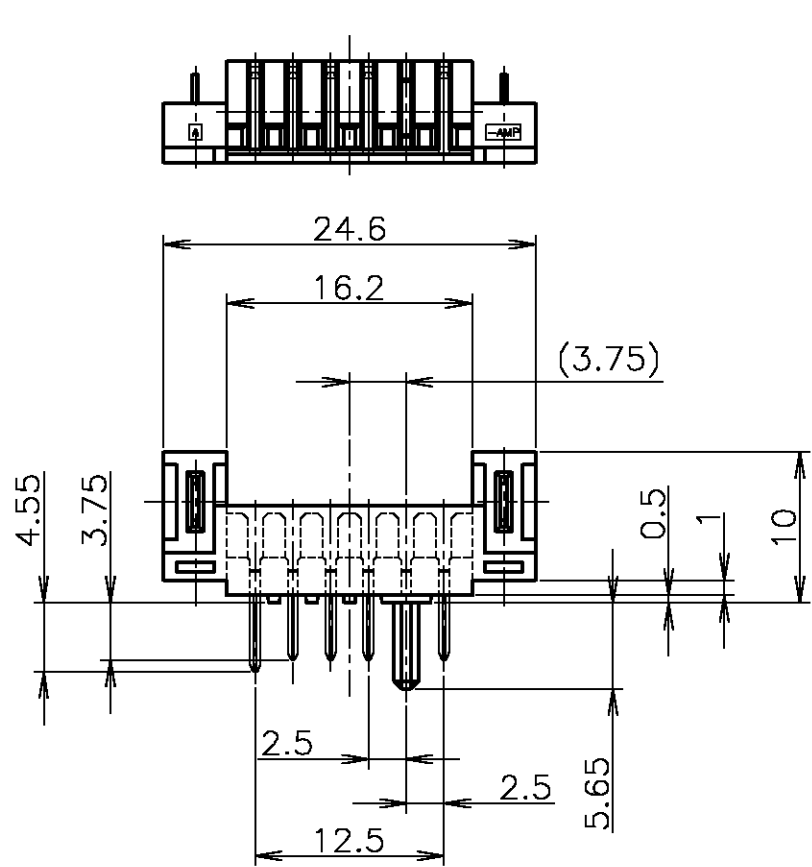


THIS DRAWING IS UNPUBLISHED. RELEASED FOR PUBLICATION JUL, 1998.
 © COPYRIGHT 1998 BY TYCO ELECTRONICS CORPORATION. ALL RIGHTS RESERVED.

LOC	DIST	REVISIONS					
J		P	LTR	DESCRIPTION	DATE	DWN	APVD
		O		RELEASED	FJ00-1154-99	02JUL99	N.S H.S
		A		REVISED	FJ00-1892-02	13SEP02	M.I K.K

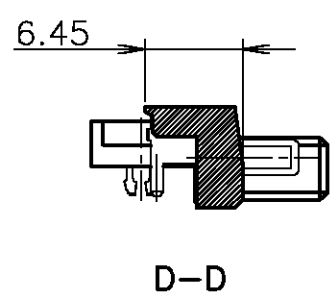
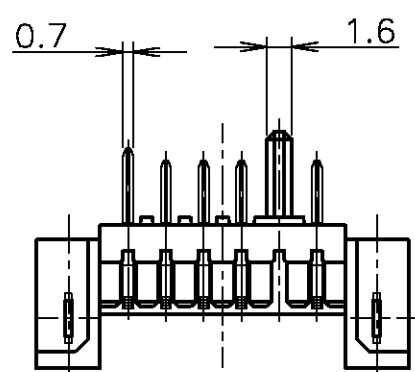
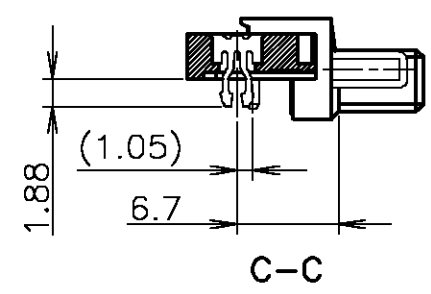
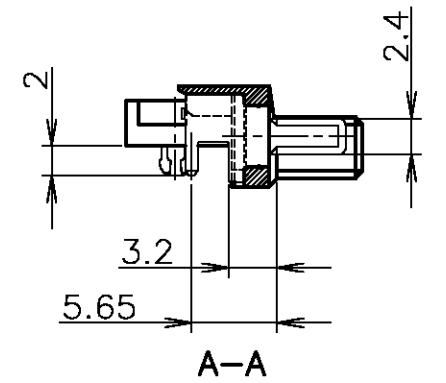
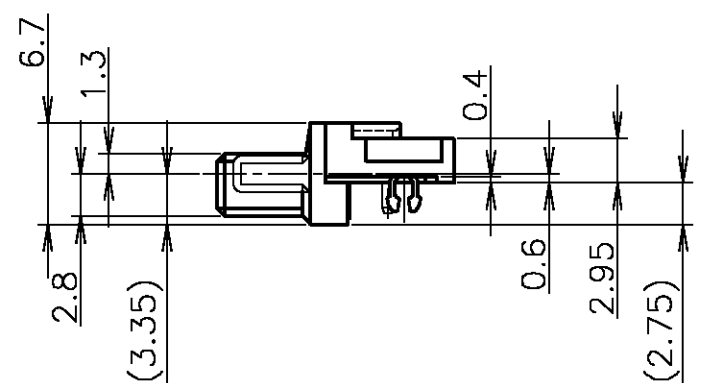
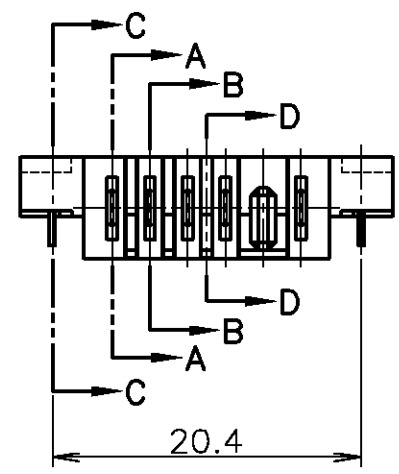


基板取付推奨寸法
 RECOMMENDED P.C.BOARD LAYOUT
 P.C.BOARD THK 0.8~1.2
 (VIEW FROM CONNECTOR MOUNTING SIDE)

1-1318792-1	FOR AUTO CHIP MOUNTER
1318792-1	NORMAL
PART NUMBER	TRAY TYPE

- △ 材料 ハウジング：熱可塑性樹脂 UL94V-0
色：黒
- △ コンタクト：銅合金
- △ リテンションレグ：銅合金
- △ 仕上げ コンタクト：Ni 下地メッキ
接触部 Pd-Niメッキ
接触部 Au フラッシュメッキ
半田付け部 Sn-Pbメッキ
- △ リテンションレグ：Sn-Pbメッキ

- △ MATERIAL HOUSING : THERMOPLASTIC RESIN, UL94V-0
COLOR ; BLACK
- △ CONTACT : COPPER ALLOY
- △ RETENTION LEG : COPPER ALLOY
- △ FINISH CONTACT : Ni ALL OVER UNDER PL
Pd-Ni PL. AT CONTACT AREA
Au FLASH PL. AT CONTACT AREA
TIN-LEAD PL. AT LEAD AREA
- △ RETENTION LEG : TIN-LEAD PL.



THIS DRAWING IS A CONTROLLED DOCUMENT.		DWN N.SASAME	02JUL99	tyco Electronics	Tyco Electronics AMP K.K. Kawasaki, Japan	
DIMENSIONS: 単位：mm		CHK H.SHIRAI	02JUL99		NAME 名称	
TOLERANCES UNLESS OTHERWISE SPECIFIED: 一般公差		APVD H.SHIRAI	02JUL99	PLUG ASSEMBLY		
0 PLC ± 0.2		PRODUCT SPEC 製品規格		2.5mm PITCH BATTERY CONNECTOR		
1 PLC ± 0.2		APPLICATION SPEC 取付適用規格		5POS. OFF SET TYPE (T2)		
2 PLC ± 0.2		WEIGHT		SIZE	CAGE CODE	
3 PLC ± 0.2		CUSTOMER DRAWING		A3	00779	
4 PLC ± 0.2		SCALE		DRAWING NO 番号		
ANGLES ± 0.3		尺度		C-1318792		
MATERIAL 材料	FINISH 仕上	SHEET		RESTRICTED TO		
△	△	1 OF 1		REV A		

单击下面可查看定价，库存，交付和生命周期等信息

[>>TE Connectivity\(泰科\)](#)