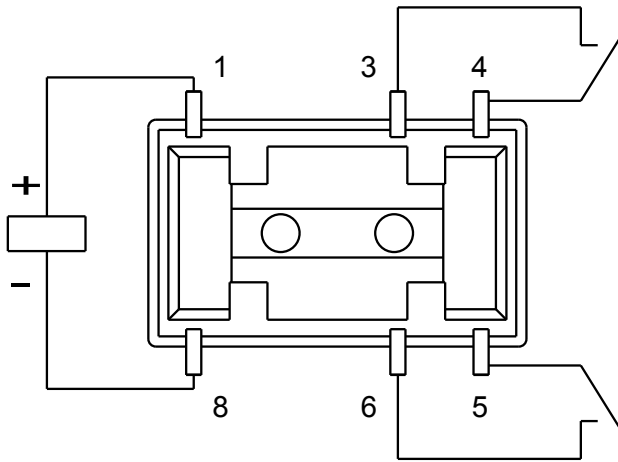
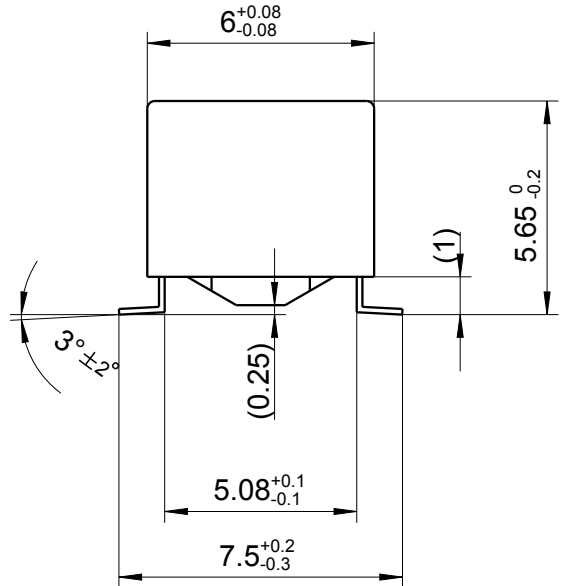
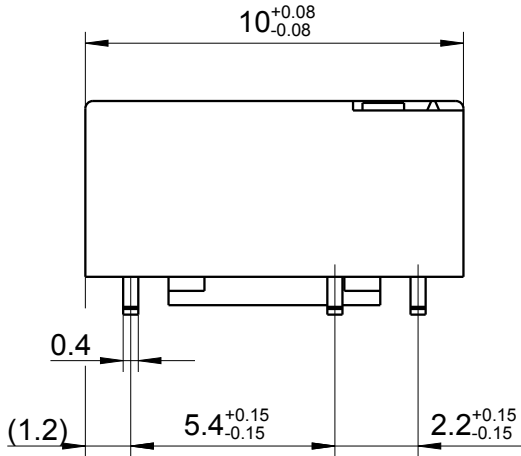


LOC	DIST	REVISIONS					
		P	LTR	DESCRIPTION	DATE	DWN	APVD
HJ	-		A2	REVISED PER ECO-11-005150	25MAR2011	UKo	AK
			A3	REVISED PER ECR-13-014508 (TE-Logo)	16SEP2013	UKo	AK

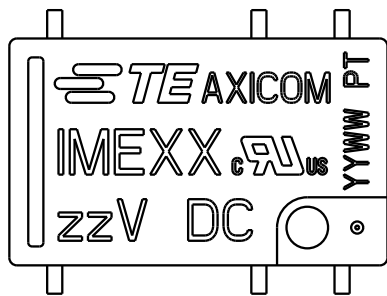


Relay - bottom view



Coplanarity < 0.10mm

XX = Relay type  
 ZZ = nominal voltage  
 YYWW = Date code



2000

RELEASED FOR PUBLICATION

ALL RIGHTS RESERVED.

THIS DRAWING IS UNPUBLISHED.

© COPYRIGHT 2000

DIMENSIONS: mm	DWN	07AUG2008	MATERIAL	FINISH				
	UKo 9193		-	-				
TOLERANCES UNLESS OTHERWISE SPECIFIED: DIN 7168-m	CHK	07AUG2008	TE Connectivity					
	HD 9121							
0 PLC ± 1 PLC ± 2 PLC ± 3 PLC ± 4 PLC ± ANGLES ±	APVD	07AUG2008	NAME <b>IME-Relay SMT Gull Wings (2 Form A)</b> Dimensions					
	HD 9121							
	PRODUCT SPEC	-	SIZE	CAGE CODE	DRAWING NO	RESTRICTED TO		
	APPLICATION SPEC	-	A4	00779	C-1462043-2	-		
	WEIGHT	-	CUSTOMER DRAWING		SCALE	SHEET	OF	REV
					5:1	1	1	A3

单击下面可查看定价，库存，交付和生命周期等信息

[>>TE Connectivity\(泰科\)](#)