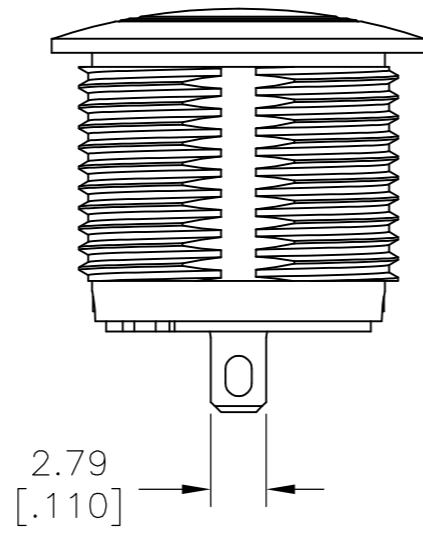
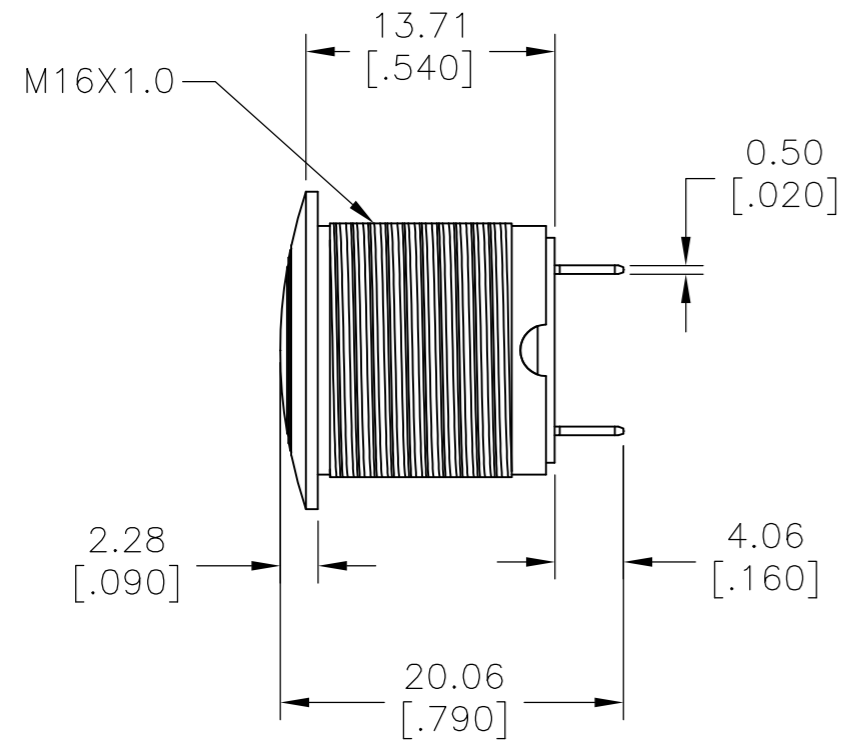
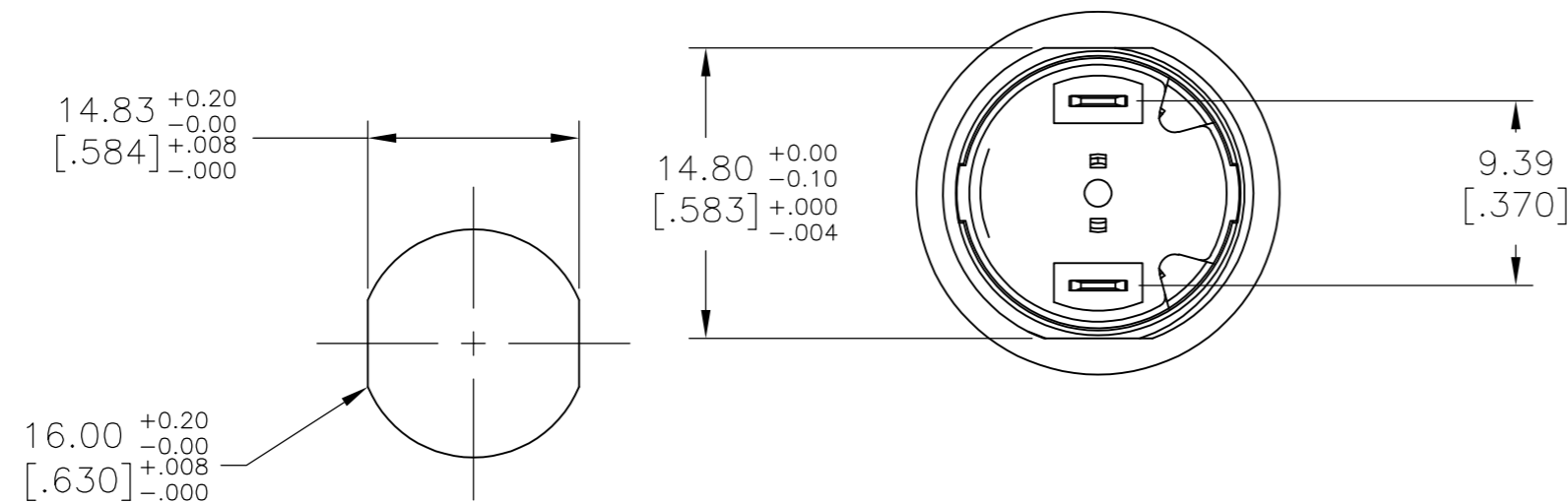
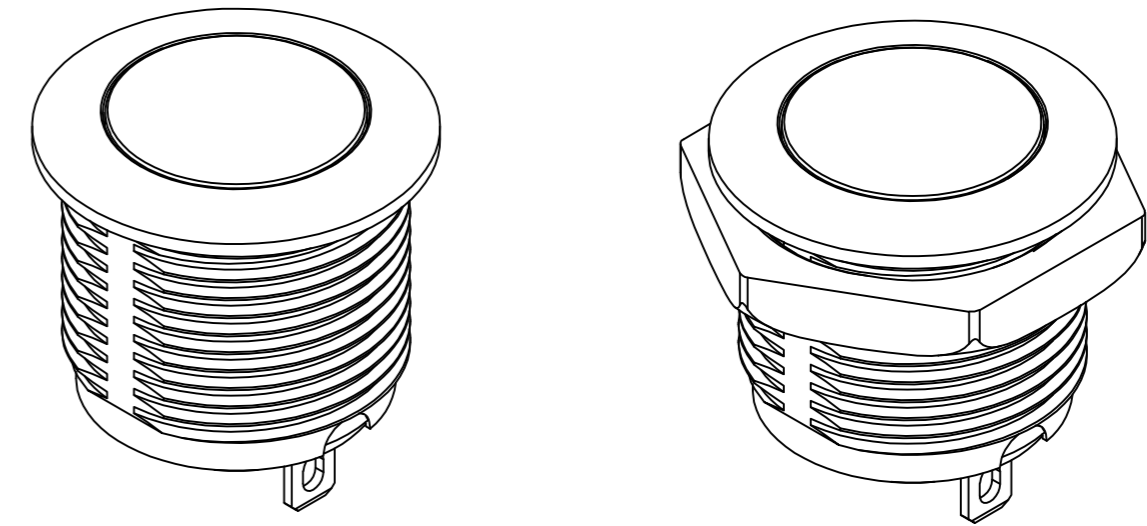


THIS DRAWING IS UNPUBLISHED. RELEASED FOR PUBLICATION  
 © COPYRIGHT - By - ALL RIGHTS RESERVED.

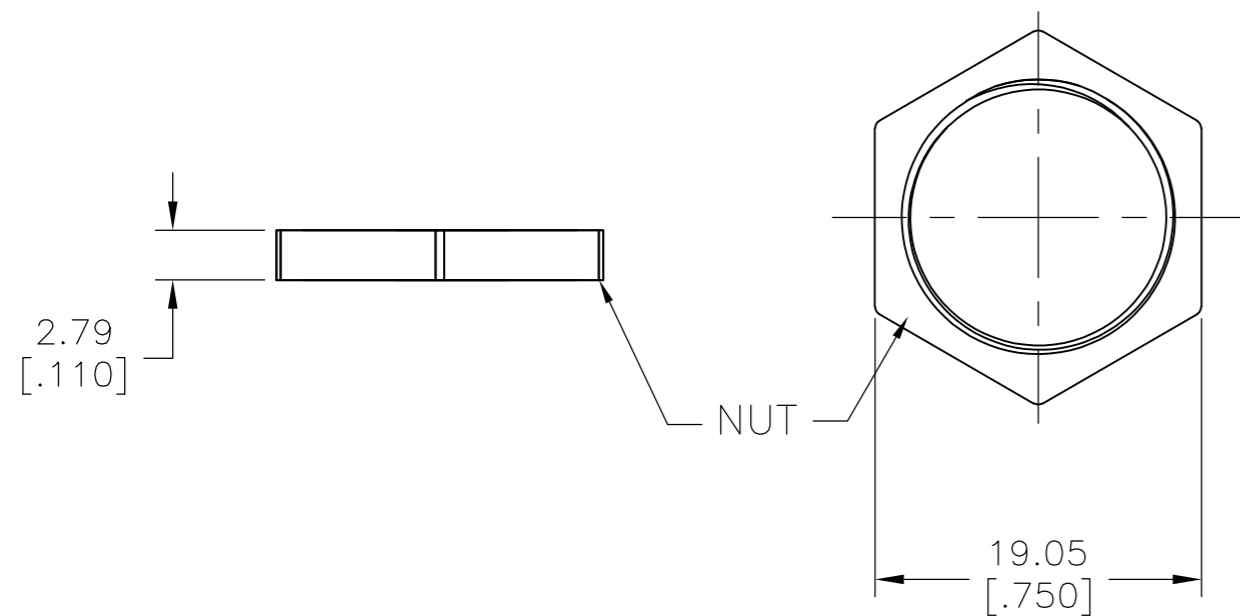
REVISIONS				
P	LTR	DESCRIPTION	DATE	APVD
A		NEW DRAWING	09FEB2016	NK RH



ASSEMBLED VIEW



PANEL CUTOUT  
 THICKNESS: 8.00mm [0.315] (MAX.)



SPECIFICATIONS

CONTACT RATING: 2A @ 36 VDC RESISTIVE  
 INSULATION RESISTANCE: 1,000MΩ MIN AT 500VDC  
 DIELECTRIC STRENGTH: 2,000V RMS @ SEA LEVEL  
 CONTACT RESISTANCE: 50 mΩ MAX  
 ELECTRICAL LIFECYCLES: 200,000 MAKE AND BREAK CYCLES AT FULL LOAD

ACTUATION FORCE: 4.5±1.5 NEWTONS  
 ACTUATION TRAVEL: 2.0±0.20MM  
 OPERATING TEMPERATURE: -20°C TO +70°C  
 MECHANICAL LIFECYCLES: 1,000,000 CYCLES  
 HARDWARE TORQUE: 1.15 N-m MAX  
 SEALED PER IP67

MATERIALS

BUSHING: ALUMINUM ALLOY  
 BASE: PBT (BLUE UL 94-V0)  
 ACTUATOR: PC (TRANSLUCENT UL 94-V2)  
 SEALING: O-RING (SILICONE)  
 TERMINAL: BRASS, GOLD FLASH PLATED  
 CONTACT: COPPER BASE, SILVER PLATED  
 HEX NUT: BRASS BASE, NICKEL PLATED

1 ALL MATERIAL AND FINISHES SHALL COMPLY WITH EU DIRECTIVE 2002/95/EC OF 27JAN2003 (ROHS)

SINGLE POLE-MOMENTARY	-	-	AV1610000R04	2213773-1
POLE/THROW	LED COLOUR	LED VOLTAGE	TE DESCRIPTIVE PN	TE PART NUMBER
THIS DRAWING IS A CONTROLLED DOCUMENT.		DWN 09FEB2016 NAGALAKSHMI K		
DIMENSIONS: mm [INCHES]		CHK 09FEB2016 HILL RYAN		
TOLERANCES UNLESS OTHERWISE SPECIFIED:		APVD 09FEB2016 HILL RYAN	NAME	
0 PLC ± -		PRODUCT SPEC	ANTI-VANDAL SWITCH 16mm NO LED	
1 PLC ± -		APPLICATION SPEC	SIZE CAGE CODE DRAWING NO RESTRICTED TO	
2 PLC ± -		WEIGHT	A2 00779 C=2213773	
3 PLC ± -		MATERIAL	SCALE 8:1 SHEET 1 OF 1 REV A	
4 PLC ± -		FINISH	CUSTOMER DRAWING	
ANGLES ± -				

单击下面可查看定价，库存，交付和生命周期等信息

[>>TE Connectivity\(泰科\)](#)