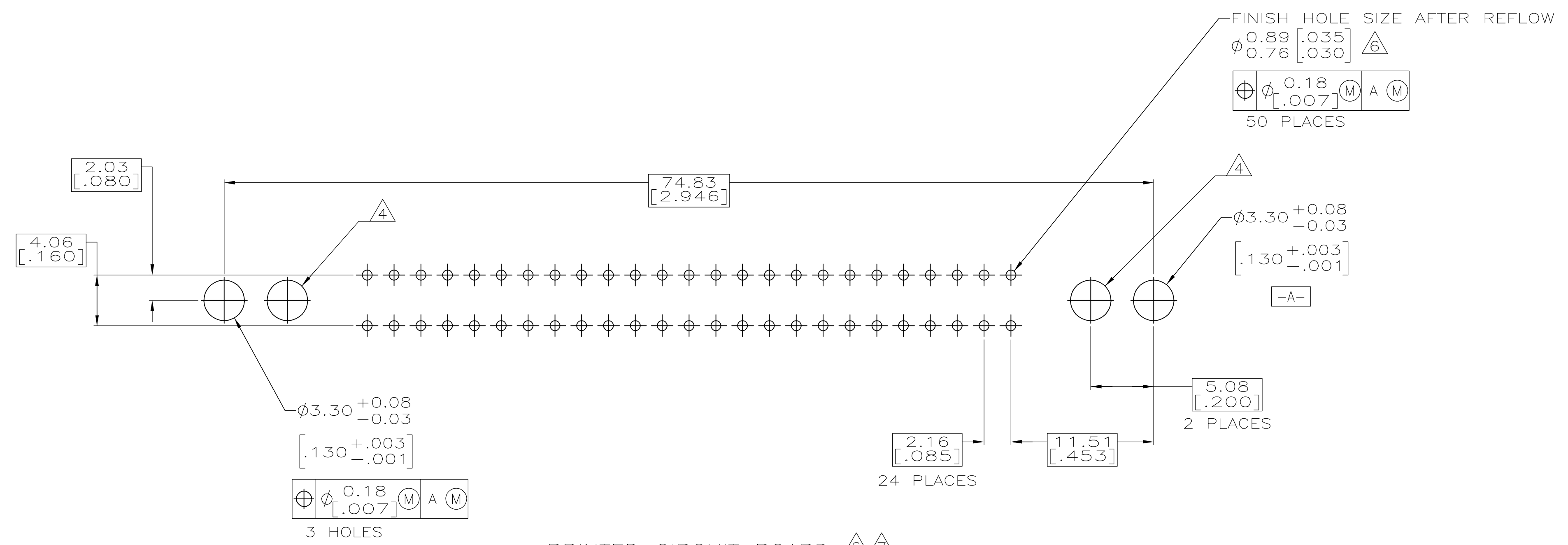
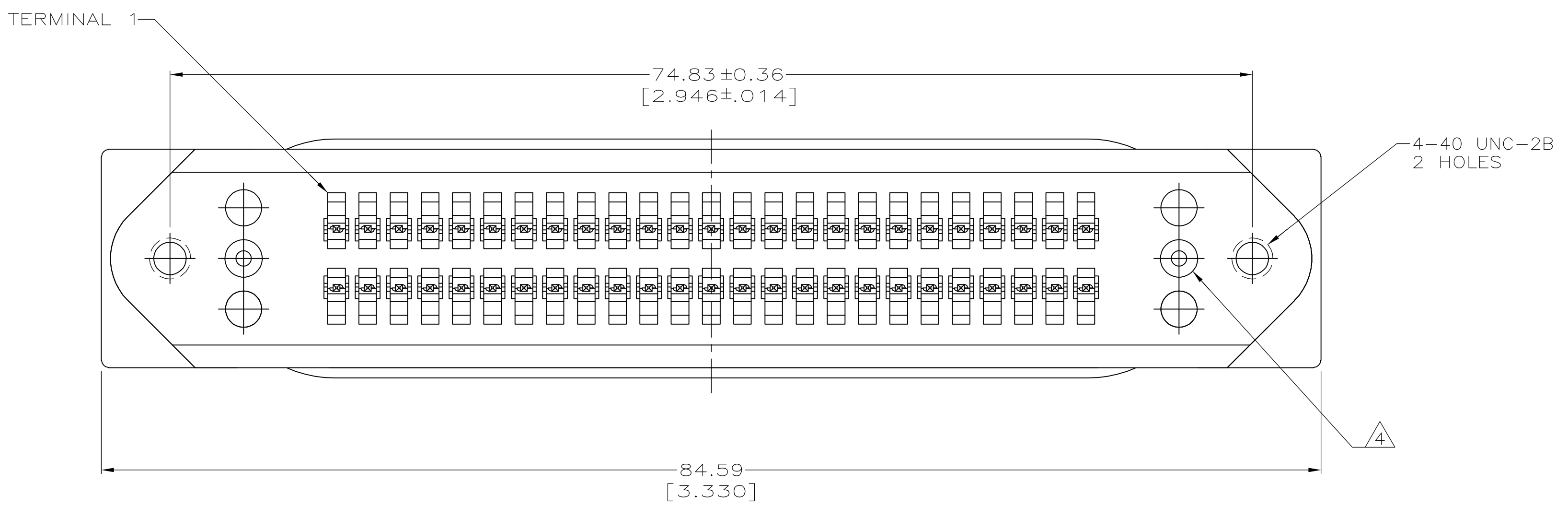
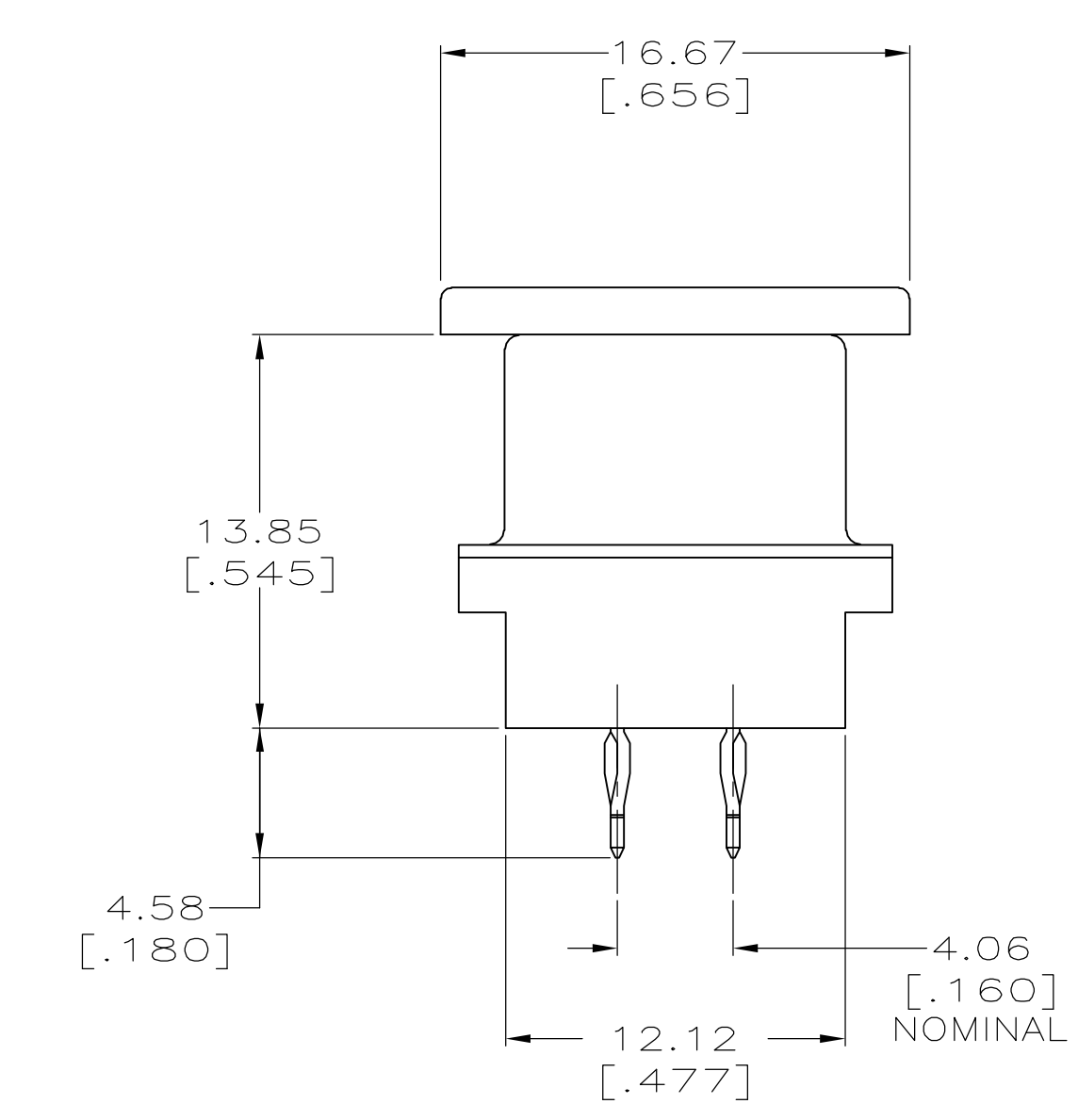
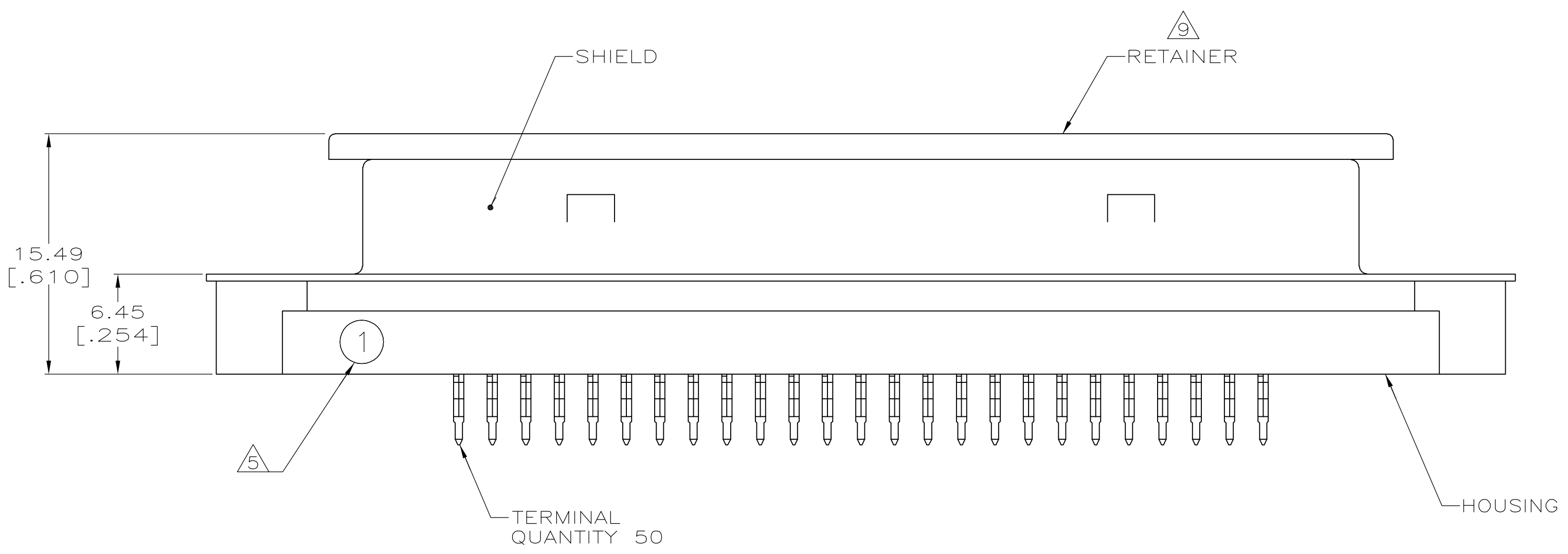


LOC		DIST		REVISIONS			
GP	00	F	LTR	DESCRIPTION	DATE	DRN	APVD
		0		REL. AS PER EC OS13-0575-04	JG	BL	JG



PRINTED CIRCUIT BOARD MOUNTING DIMENSIONS

1. DIMENSIONS ARE MAXIMUM UNLESS OTHERWISE SPECIFIED.
2. MATERIAL: HOUSING - POLYESTER, BLACK. TERMINAL - COPPER ALLOY PLATED WITH 0.76µm [.000030] MINIMUM GOLD ON MATING SURFACE AND: 2.54 µm [.000100] MINIMUM TIN ON ACTION PIN AREA. OVER 1.27µm [.000050] MINIMUM NICKEL UNDERPLATE OVER ENTIRE TERMINAL. RETAINER - POLYETHYLENE, NATURAL. SHIELD - CARBON STEEL, PLATED BRIGHT NICKEL 5.08µm [.000200] MINIMUM.
3. THE CONTACT SURFACES OF THE TERMINALS ARE COATED WITH LUBRICANT.
4. OPTIONAL MOUNTING HOLE FOR SELF-TAPPING SCREW.
5. "1" ON HOUSING INDICATES LOCATION OF TERMINAL 1.
6. ALL PLATED-THRU HOLES SHALL BE PER AMP SPEC 115-6072.
7. 50 LBS. MINIMUM FORCE REQUIRED TO UNSEAT CONNECTOR FROM PRINTED CIRCUIT BOARD WITHOUT USE OF HARDWARE.
8. CENTER-TO-CENTER SPACING OF TERMINALS IS 2.16 [.085] NOMINAL.
9. RETAINER MUST REMAIN INSTALLED UNTIL AFTER CONNECTOR HAS BEEN INSERTED INTO PCB HOLES.

5557984-2  
PART NUMBER

THIS DRAWING IS A CONTROLLED DOCUMENT.		DWN S2 LATTUCA	11AUG05		Tyco Electronics Corporation Harrisburg, Pa 17105-3608
DIMENSIONS: mm [INCHES]		CHK W. MILLHIMES	11AUG05		NAME M. WALMSLEY
TOLERANCES UNLESS OTHERWISE SPECIFIED:		0 PLC ± -		PRODUCT SPEC	RESTRICTED TO
		1 PLC ± -		108-6019	
		2 PLC ± -		APPLICATION SPEC	
		3 PLC ± -		114-6027	
		4 PLC ± -		SIZE CAGE CODE DRAWING NO	
		ANGLES ± -		A1 00779 ©=5557984	
		FINISH		WEIGHT -	
				CUSTOMER DRAWING	
				SCALE 4:1	
				SHEET 1 OF 1	
				REV 0	

单击下面可查看定价，库存，交付和生命周期等信息

[>>TE Connectivity\(泰科\)](#)