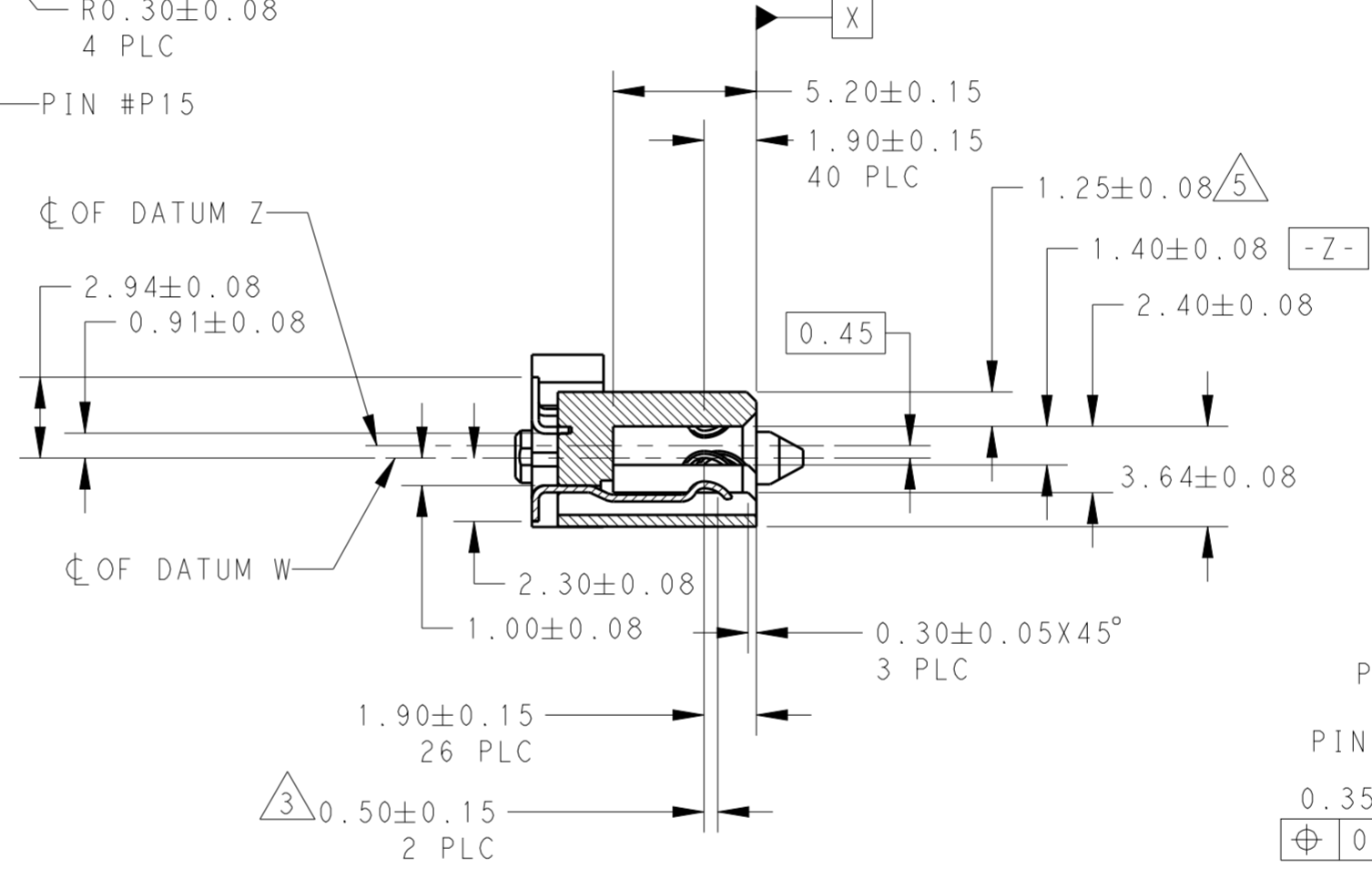
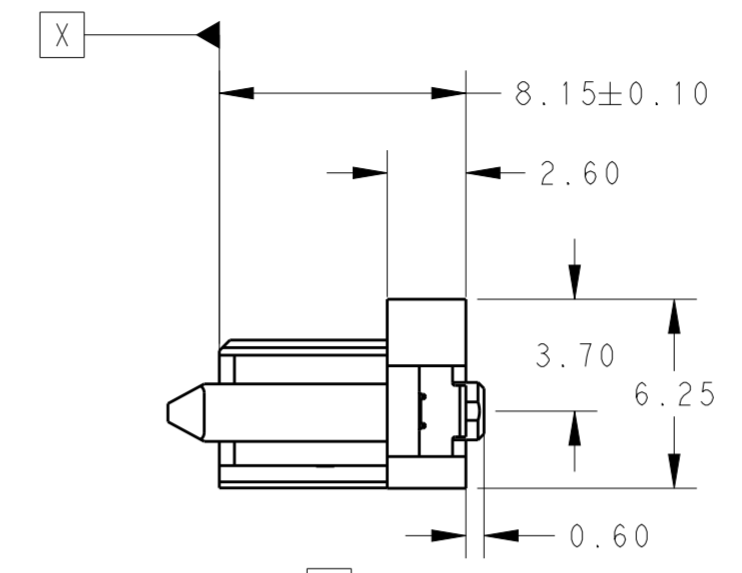
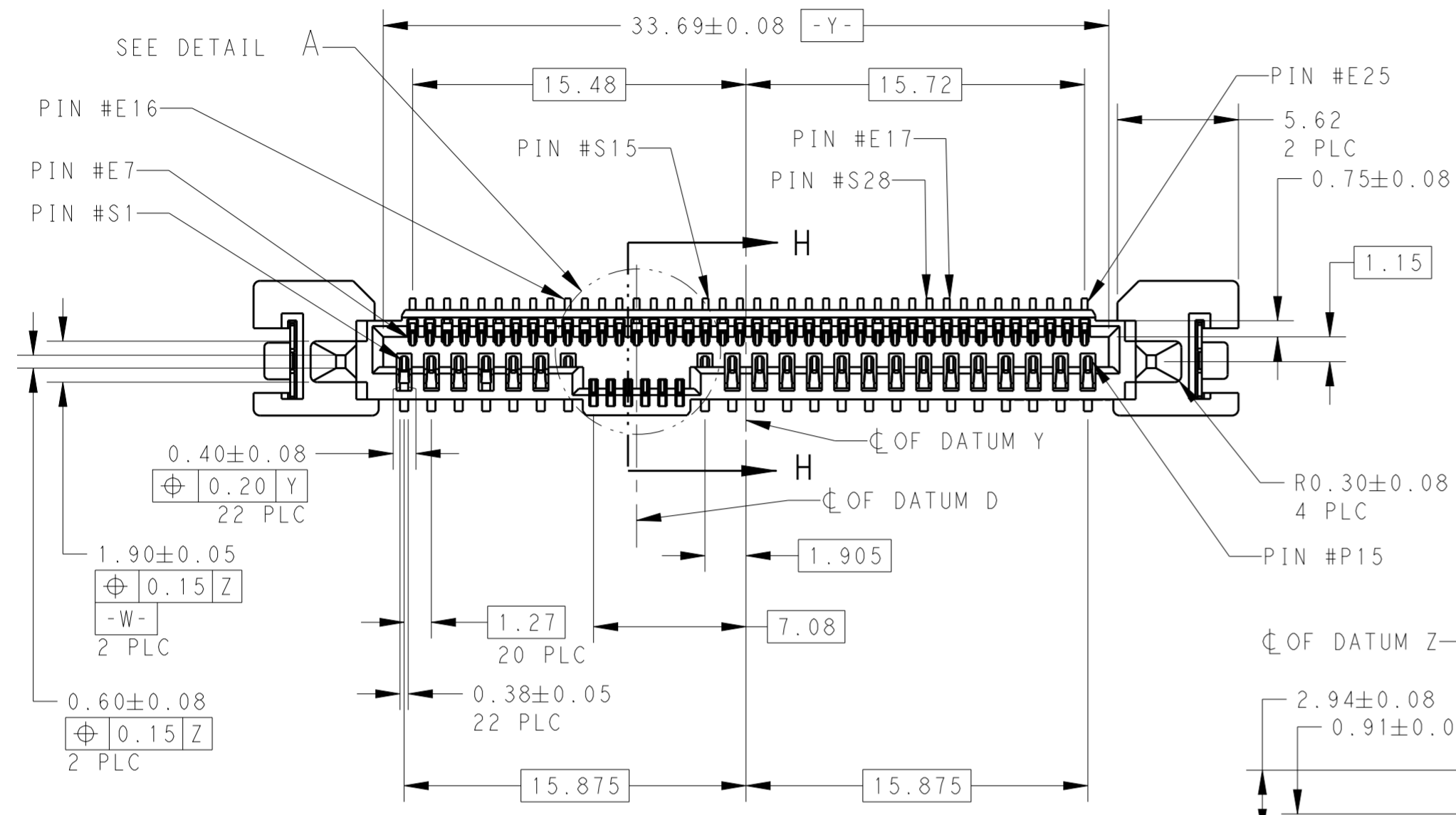


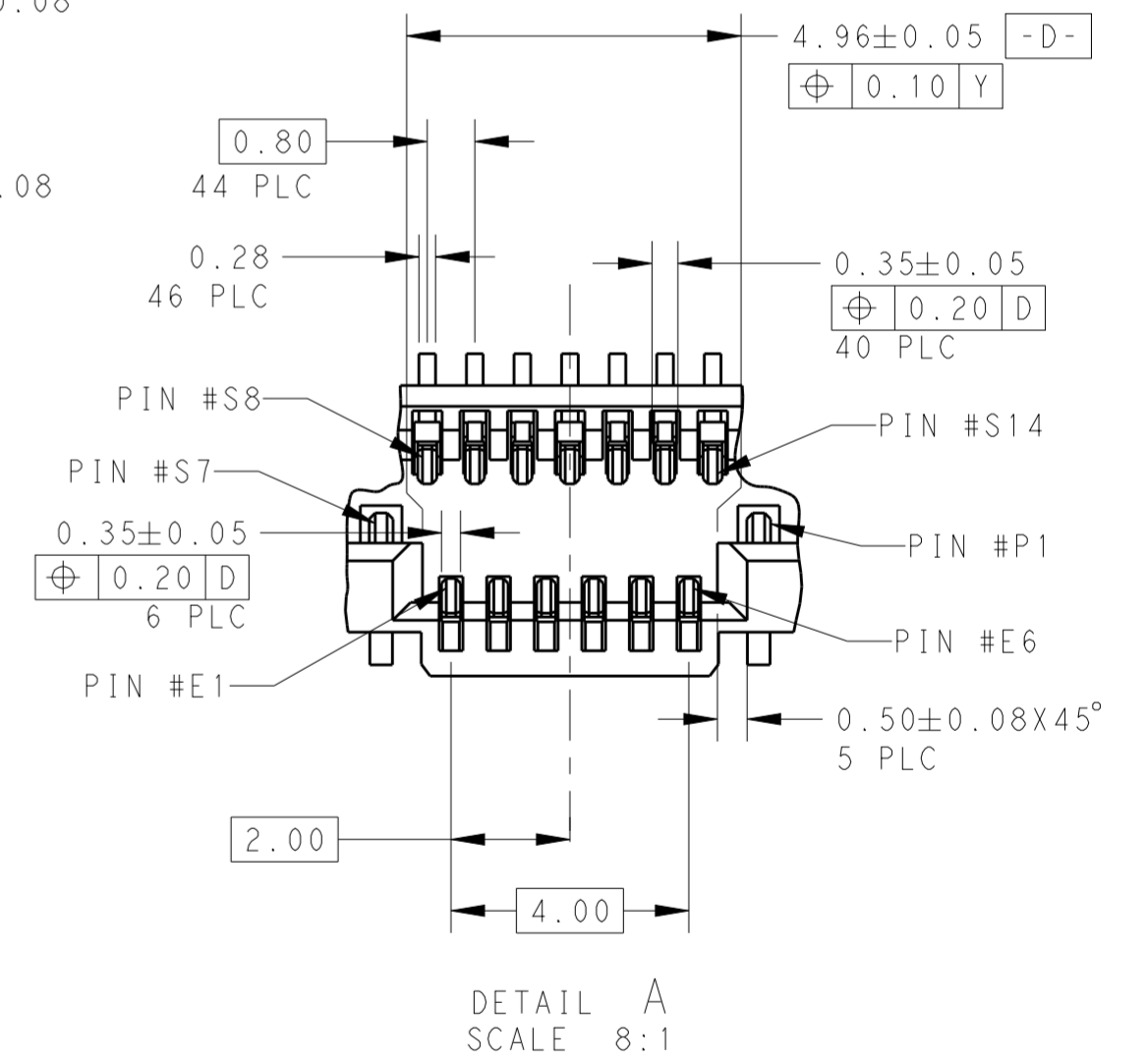
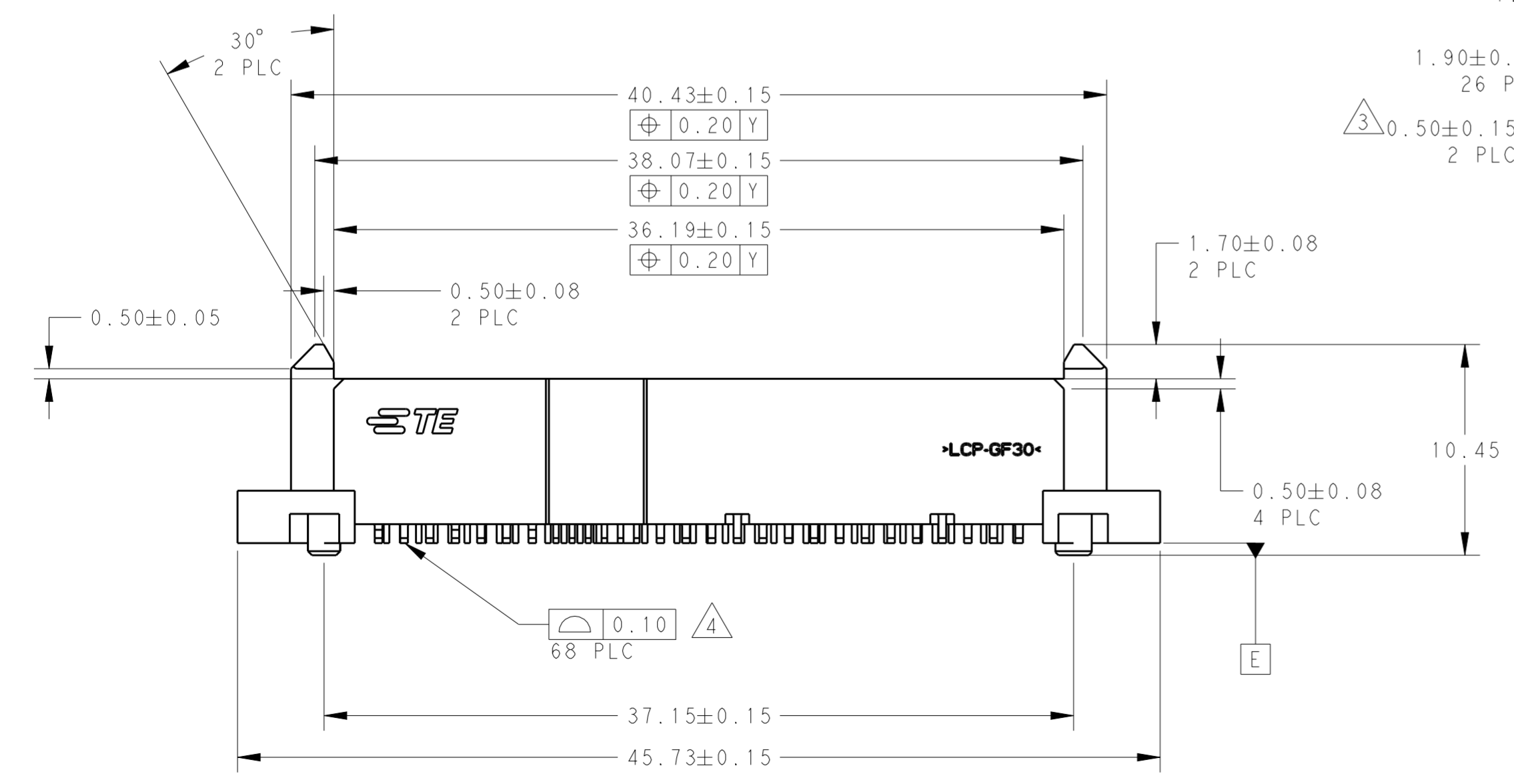
THIS DRAWING IS UNPUBLISHED. RELEASED FOR PUBLICATION 20
 © COPYRIGHT 20 BY - ALL RIGHTS RESERVED.

REVISIONS					
P	LTR	DESCRIPTION	DATE	DWN	APVD
A		RELEASED FOR PRODUCTION	04MAR2016	TX	SH



SECTION H-H
SCALE 4:1

- NOTES:
- 1 MATERIAL:
HOUSING: HIGH TEMP THERMOPLASTIC, UL94V-0,
COLOR: BLACK
CONTACT: COPPER ALLOY
BOARDLOCK: COPPER ALLOY
 - 2 FINISH:
CONTACT AREA: MIN 0.76µm GOLD PLATING
SOLDERTAIL: MIN 2.54µm MATTE TIN PLATING
UNDERPLATE: MIN 1.27µm NICKEL PLATING
 - 3 PIN #P4 AND #P12 ONLY
 - 4 SOLDERTAIL TO BE 0.05 MAX ABOVE
AND 0.10 MAX BELOW DATUM E
 - 5 1.33 MAX MEASURED AT DATUM C



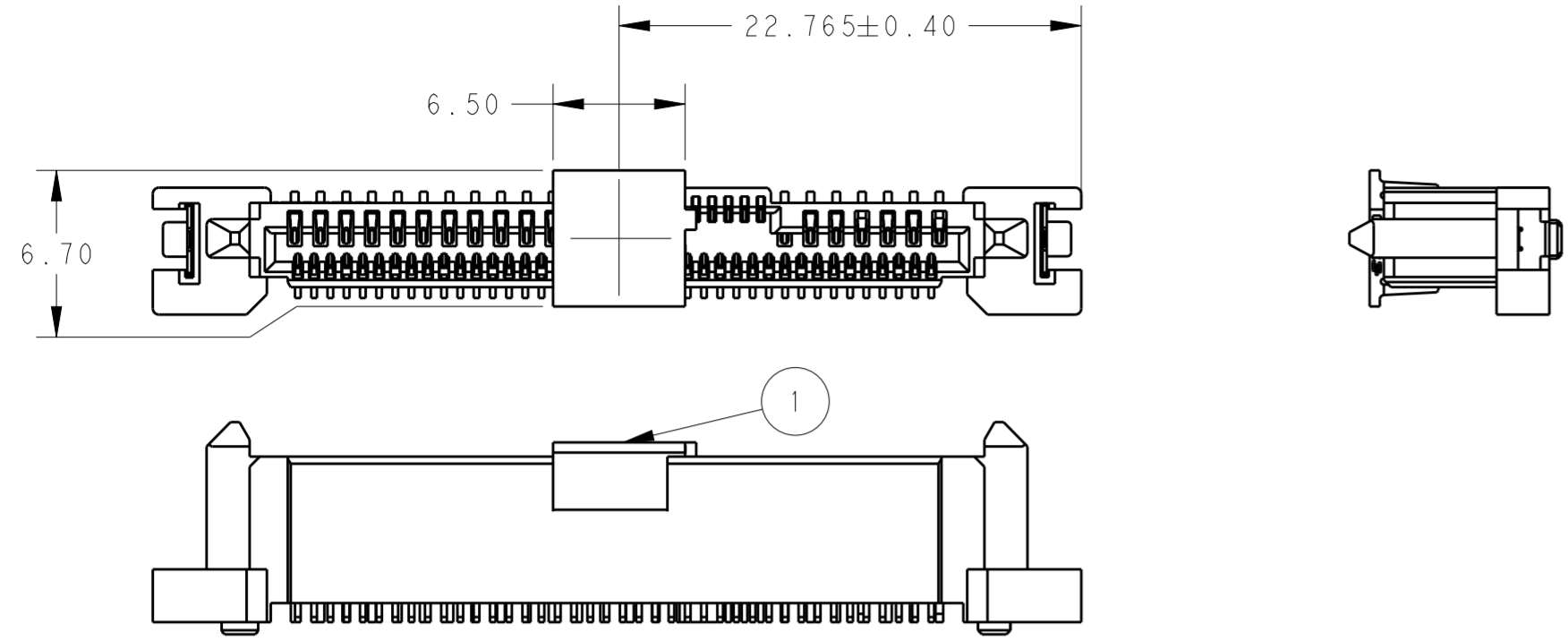
DETAIL A
SCALE 8:1

YES	2170560-2
NO	2170560-1
PICK-UP CAP (1)	PART NUMBER

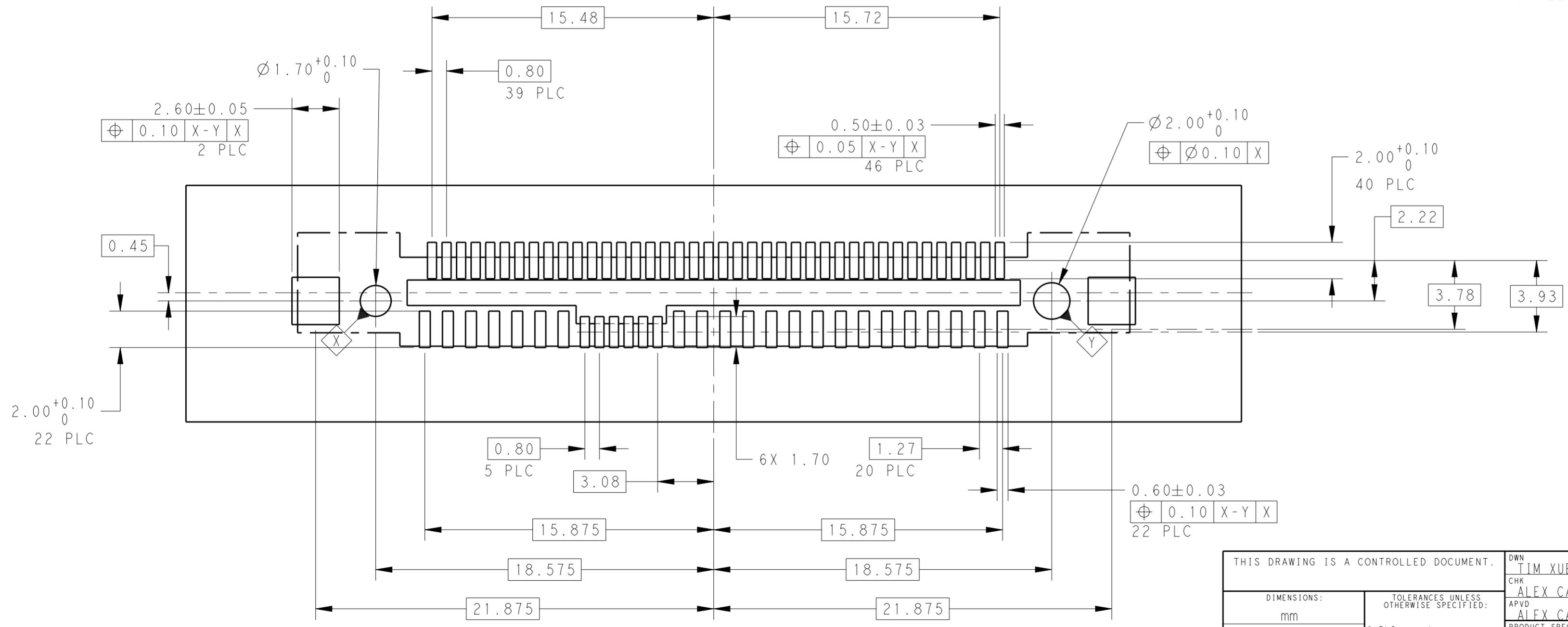
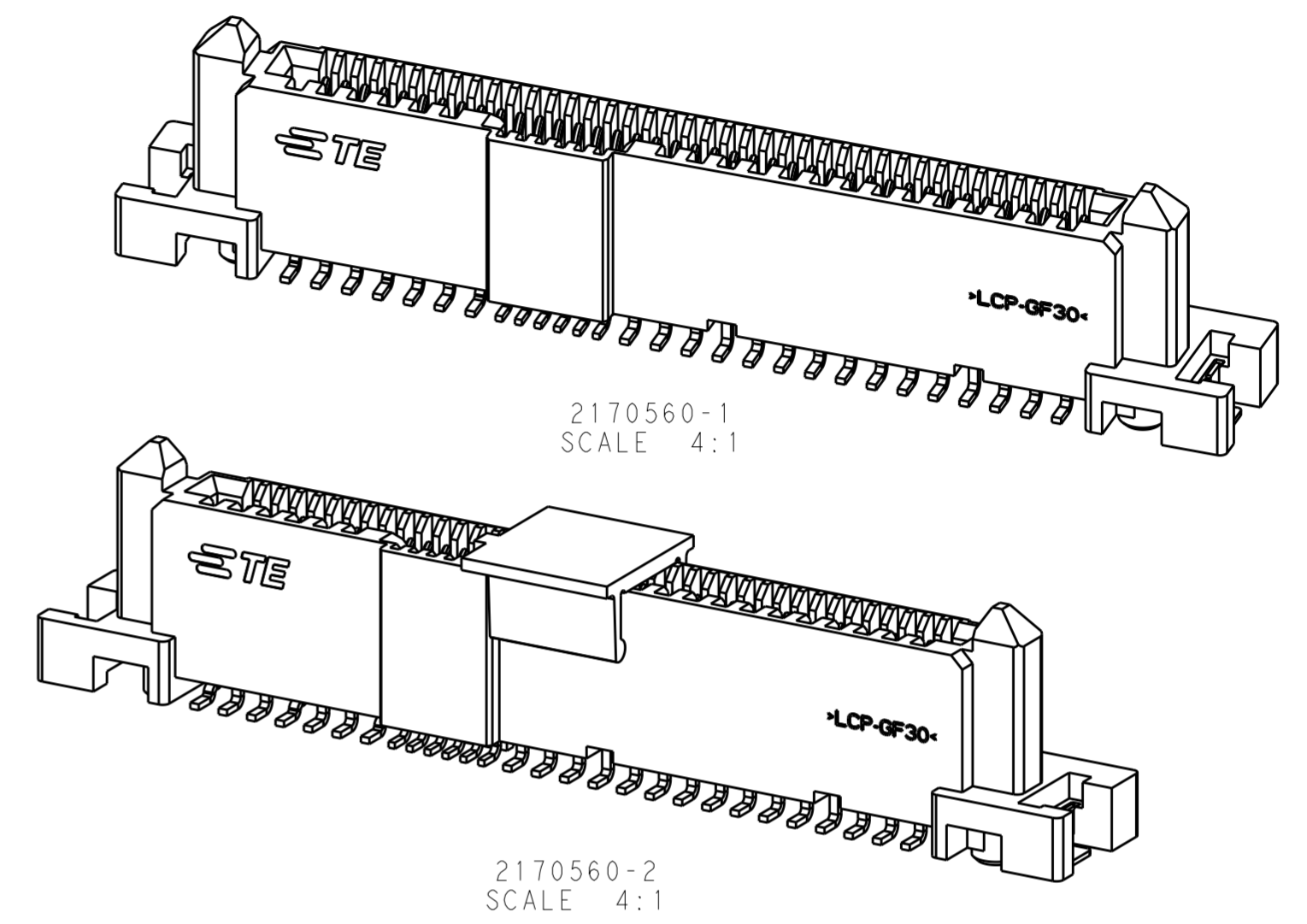
THIS DRAWING IS A CONTROLLED DOCUMENT.		DWN	TIM XUE	20 JUN 2013	TE Connectivity
DIMENSIONS:		CHK	ALEX CAI	20 JUN 2013	
mm		APVD	ALEX CAI	20 JUN 2013	
TOLERANCES UNLESS OTHERWISE SPECIFIED:		PRODUCT SPEC	108-51109	NAME	
0 PLC ±		APPLICATION SPEC	114-60017	SIZE	A2
1 PLC ±0.20		WEIGHT	-	CAGE CODE	-
2 PLC ±0.20		CUSTOMER DRAWING	SCALE	2:1	SHEET
3 PLC ±0.20					1 OF 2
4 PLC ±0.0001°					REV
ANGLES ±1°					A
FINISH					

THIS DRAWING IS UNPUBLISHED. RELEASED FOR PUBLICATION 20
 © COPYRIGHT 20 BY - ALL RIGHTS RESERVED.


REVISIONS				
P	LTR	DESCRIPTION	DATE	APVD
-	-	SEE SHEET 1	-	-



P/N:2170560-2 AS SHOWN
 RECEPTACLE WITH PICK-UP CAP



RECOMMENDED RECEPTACLE BOARD LAYOUT
 SCALE 5:1

THIS DRAWING IS A CONTROLLED DOCUMENT.		DWN TIM XUE 20 JUN 2013	 TE Connectivity
DIMENSIONS: mm		CHK ALEX CAI 20 JUN 2013	
TOLERANCES UNLESS OTHERWISE SPECIFIED:		APVD ALEX CAI 20 JUN 2013	
0 PLC ± 1 PLC ±0.20 2 PLC ±0.20 3 PLC ±0.20 4 PLC ±0.0001 ANGLES ±1° FINISH -		PRODUCT SPEC 108-51109 APPLICATION SPEC 114-60017 WEIGHT -	
MATERIAL -		CUSTOMER DRAWING	NAME 12G SAS/PCIe COMBO RECEPTACLE, STANDARD 15P+6P+7P+40P SIZE A2 CAGE CODE - DRAWING NO. C-2170560 RESTRICTED TO - SCALE 2:1 SHEET 2 OF 2 REV A

单击下面可查看定价，库存，交付和生命周期等信息

[>>TE Connectivity\(泰科\)](#)