

4

3

2

1

THIS DRAWING IS UNPUBLISHED.

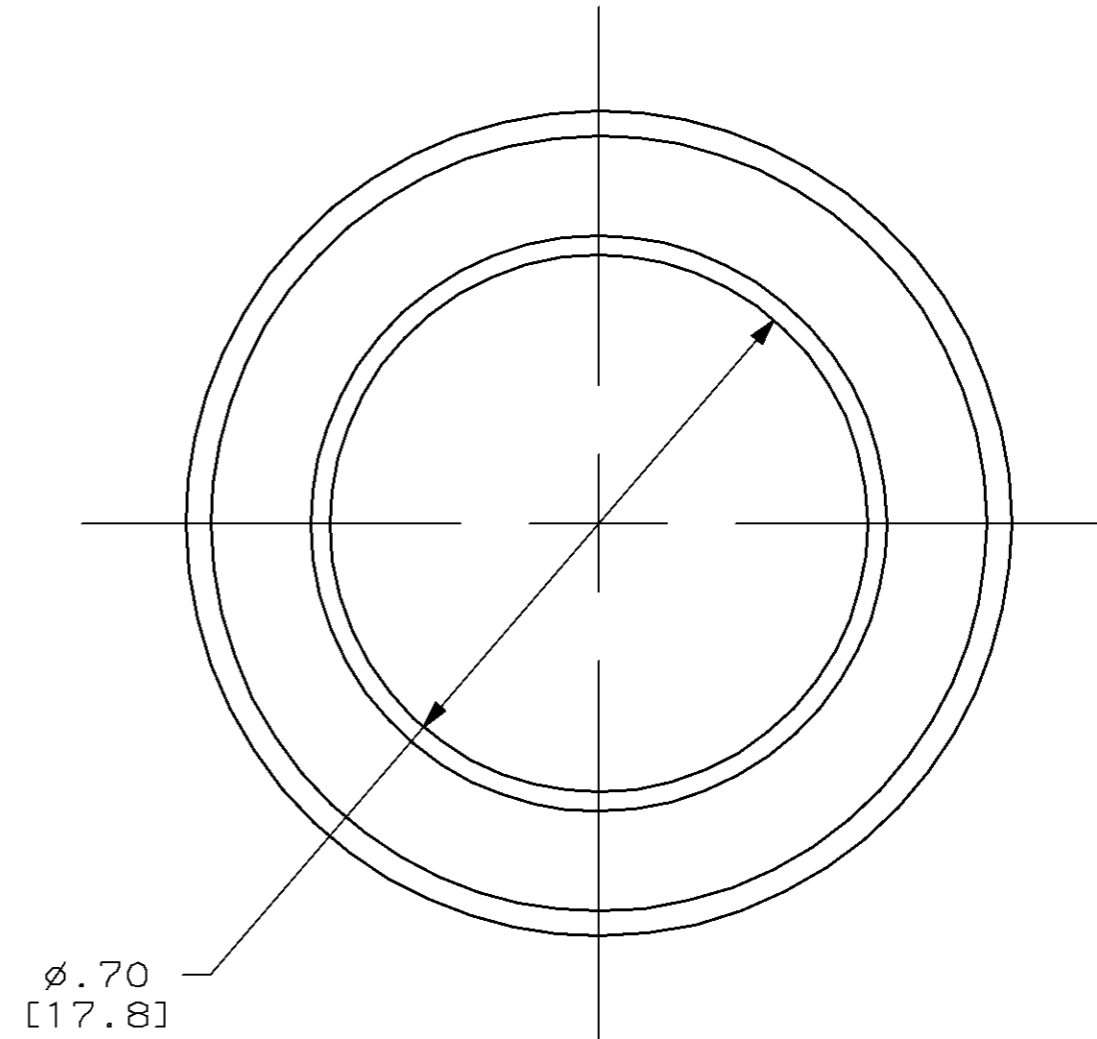
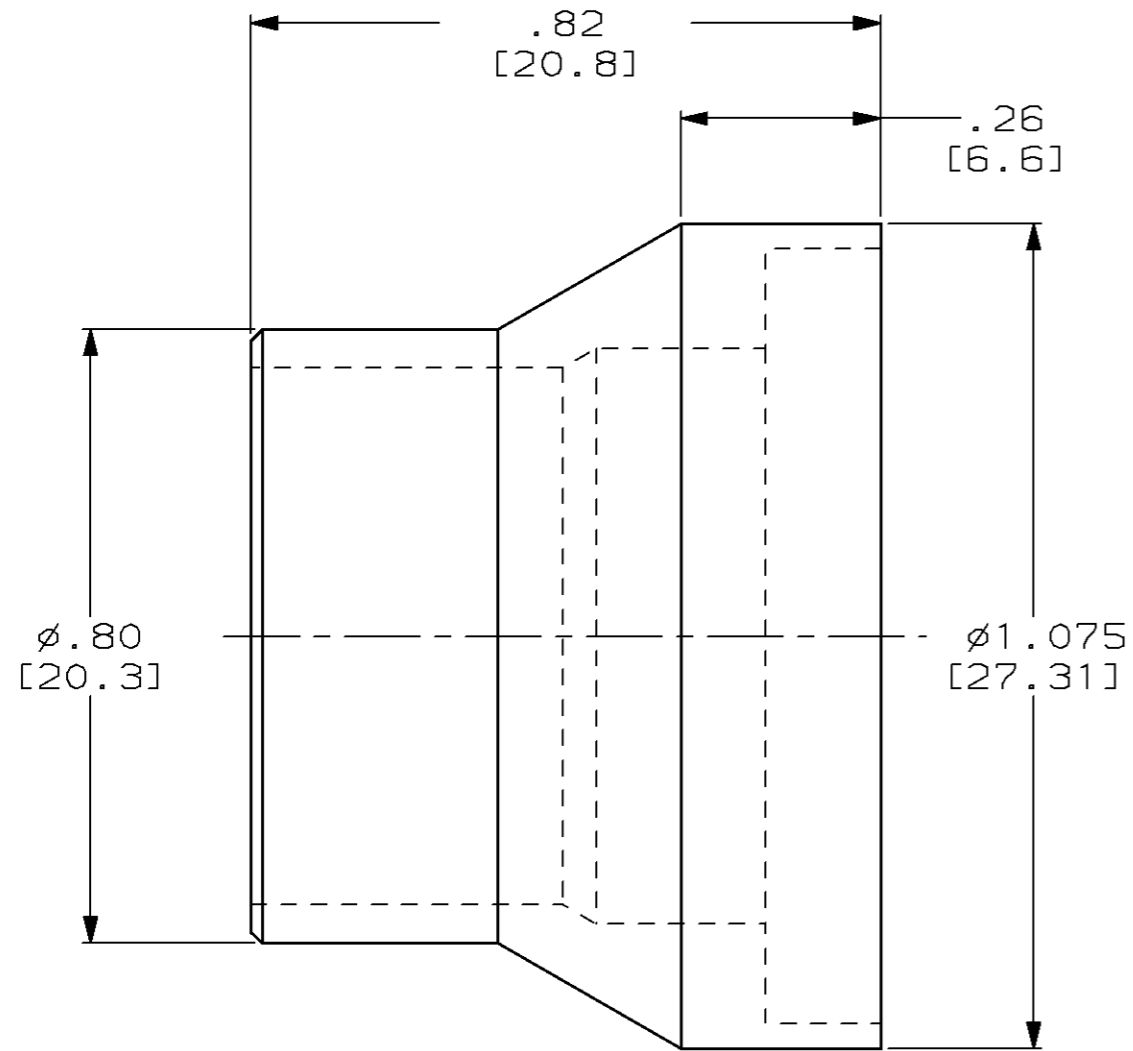
RELEASED FOR PUBLICATION

,19 .

© COPYRIGHT 19

BY AMP INCORPORATED. ALL RIGHTS RESERVED.

LOC	DIST	REVISIONS			
P	LTR	DESCRIPTION	DATE	DWN	APVD
DF	SO	0	RELEASED	7-97	CT DE



862256-1
PART NO.

THIS DRAWING IS A CONTROLLED DOCUMENT.		DWN C.C. THOMAS 7-14-97	AMP Incorporated Harrisburg, PA 17105-3608													
DIMENSIONS: INCHES [mm]		CHK D.EABY 8-5-97	NAME POTTING SHELL, RECEPTACLE, LGH													
TOLERANCES UNLESS OTHERWISE SPECIFIED:		APVD D.EABY 8-5-97	RESTRICTED TO													
<table border="1"> <tr><td>0 PLC</td><td>±-</td></tr> <tr><td>1 PLC</td><td>±-</td></tr> <tr><td>2 PLC</td><td>±.02 [0.5]</td></tr> <tr><td>3 PLC</td><td>±.005 [0.13]</td></tr> <tr><td>4 PLC</td><td>±-</td></tr> <tr><td>ANGLES</td><td>±-</td></tr> </table>		0 PLC	±-	1 PLC	±-	2 PLC	±.02 [0.5]	3 PLC	±.005 [0.13]	4 PLC	±-	ANGLES	±-	PRODUCT SPEC -	SIZE A3	
0 PLC	±-															
1 PLC	±-															
2 PLC	±.02 [0.5]															
3 PLC	±.005 [0.13]															
4 PLC	±-															
ANGLES	±-															
MATERIAL POLYESTER MLDG. CMPD.		APPLICATION SPEC -	CAGE CODE 00779	DRAWING NO C-862256												
COLOR BLACK		WEIGHT -	SCALE 4:1	SHEET 1 OF 1												
		CUSTOMER DRAWING	REV 0													

单击下面可查看定价，库存，交付和生命周期等信息

[>>TE Connectivity\(泰科\)](#)