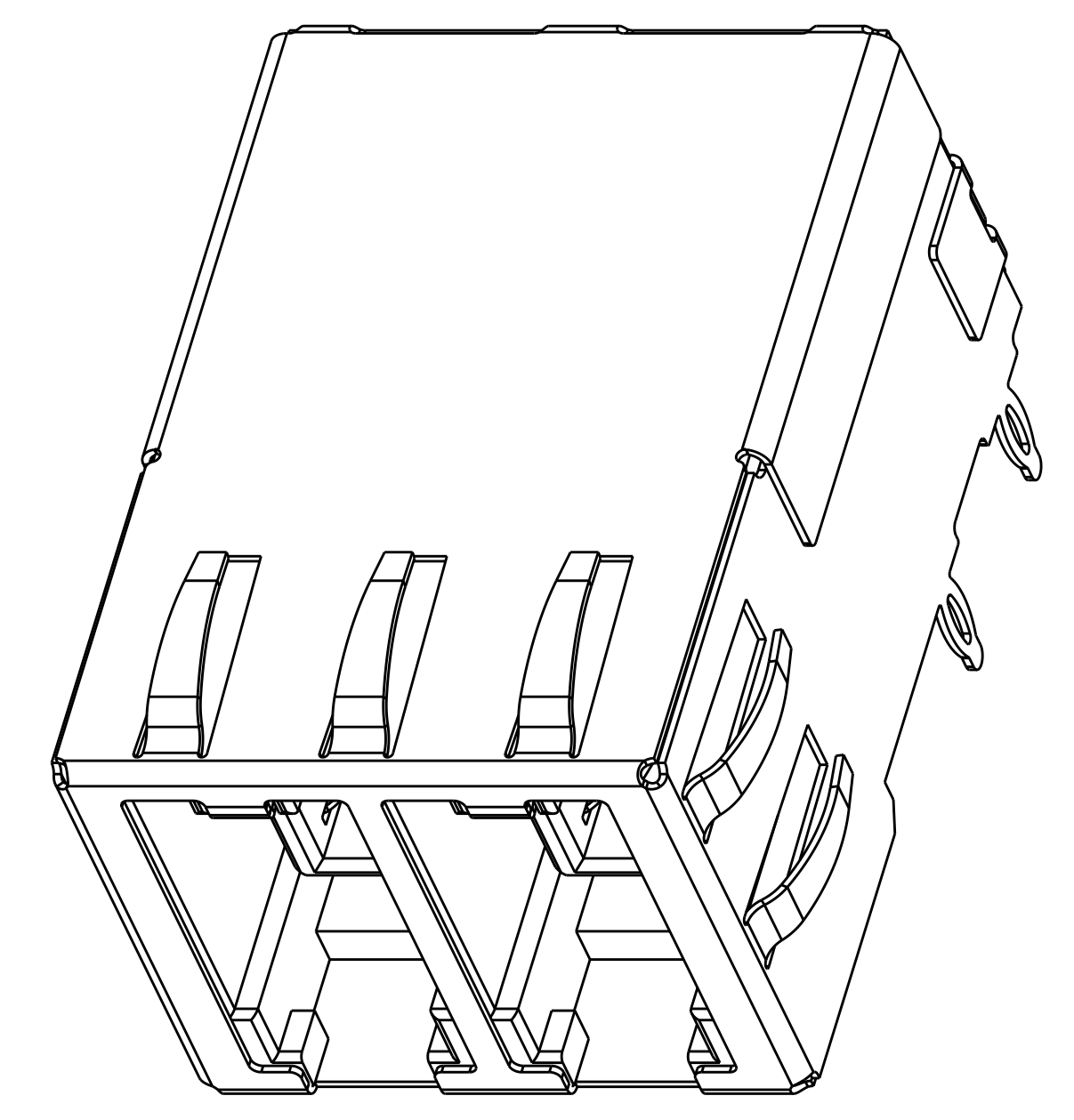
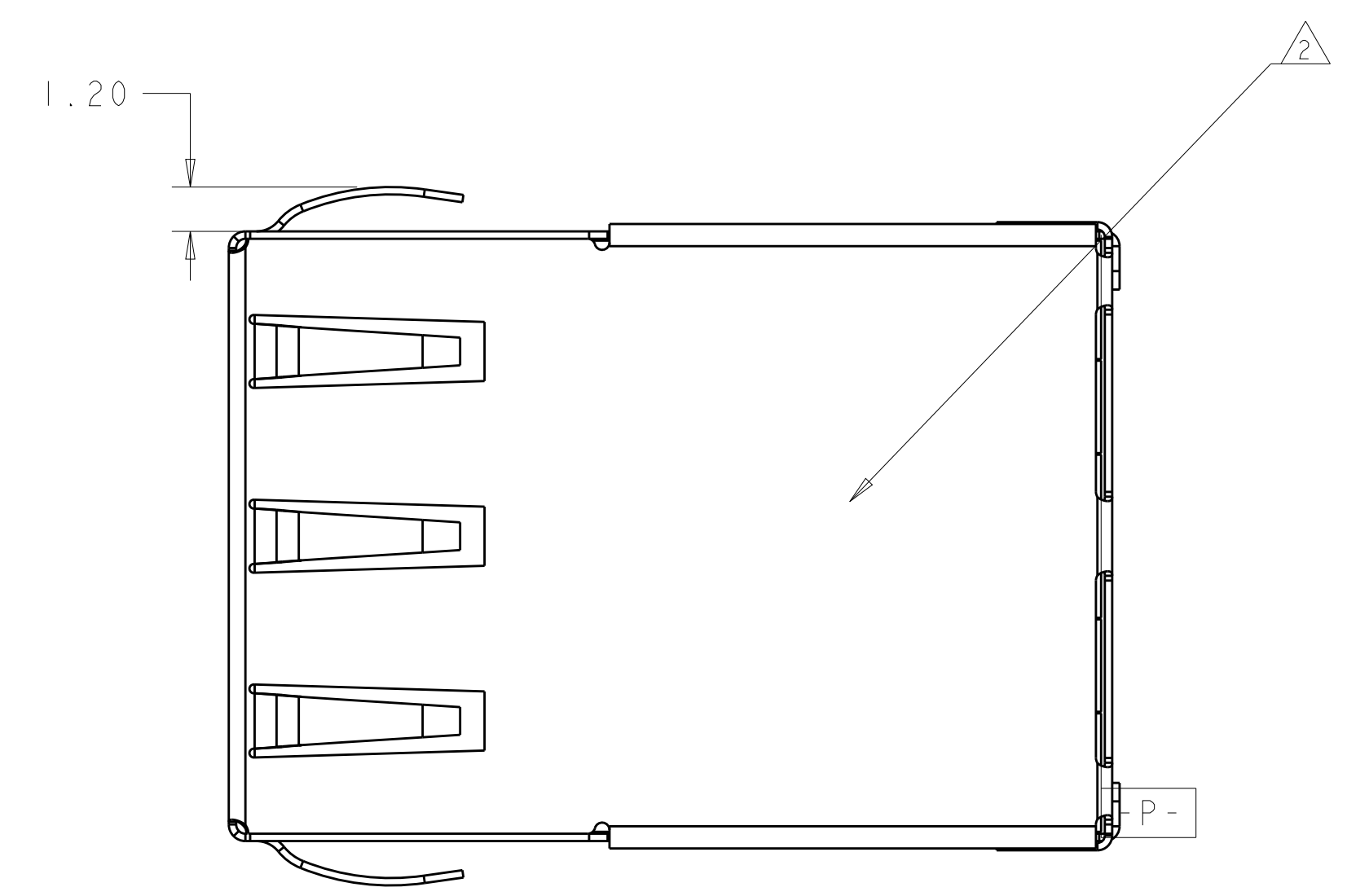
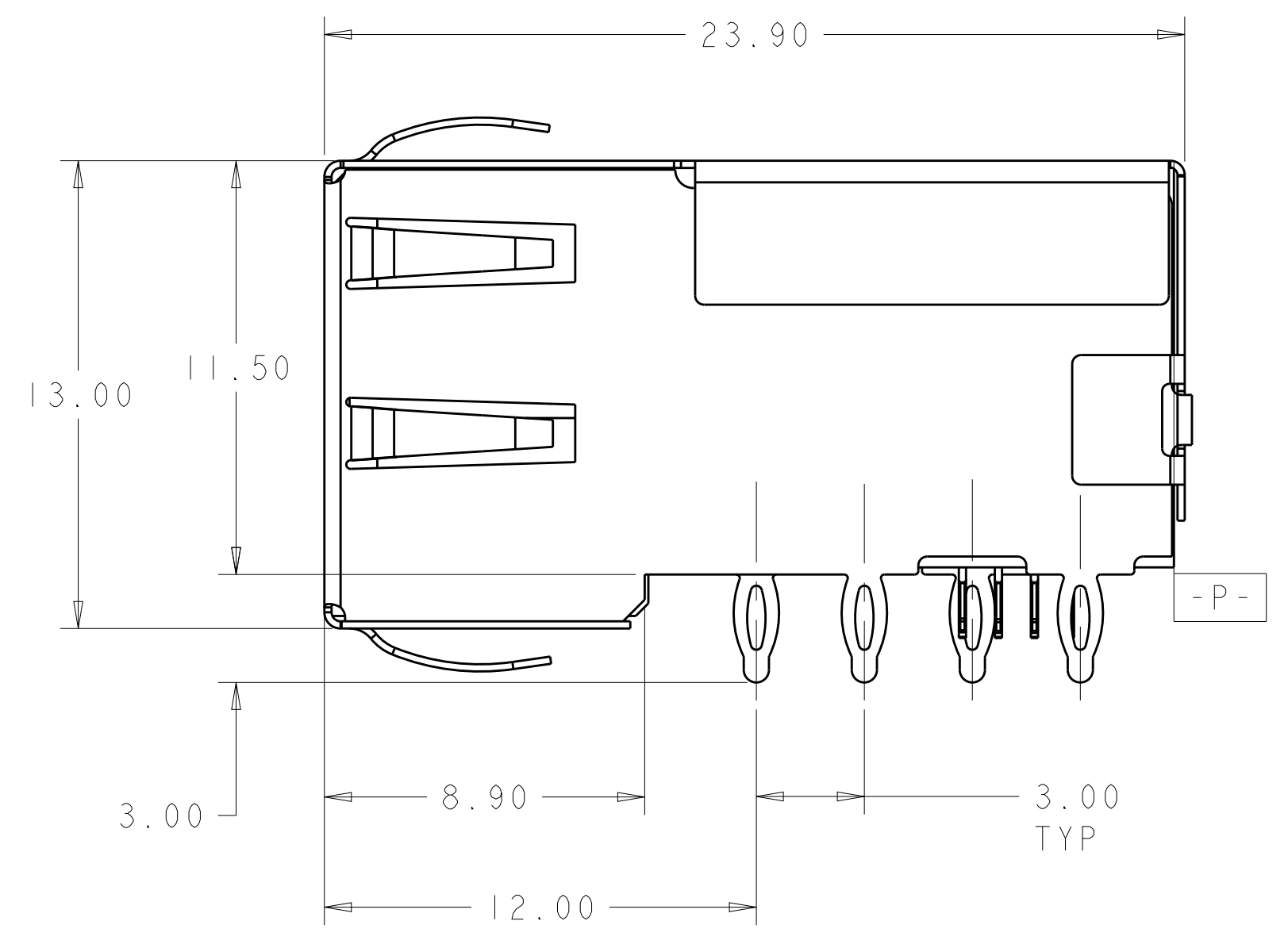
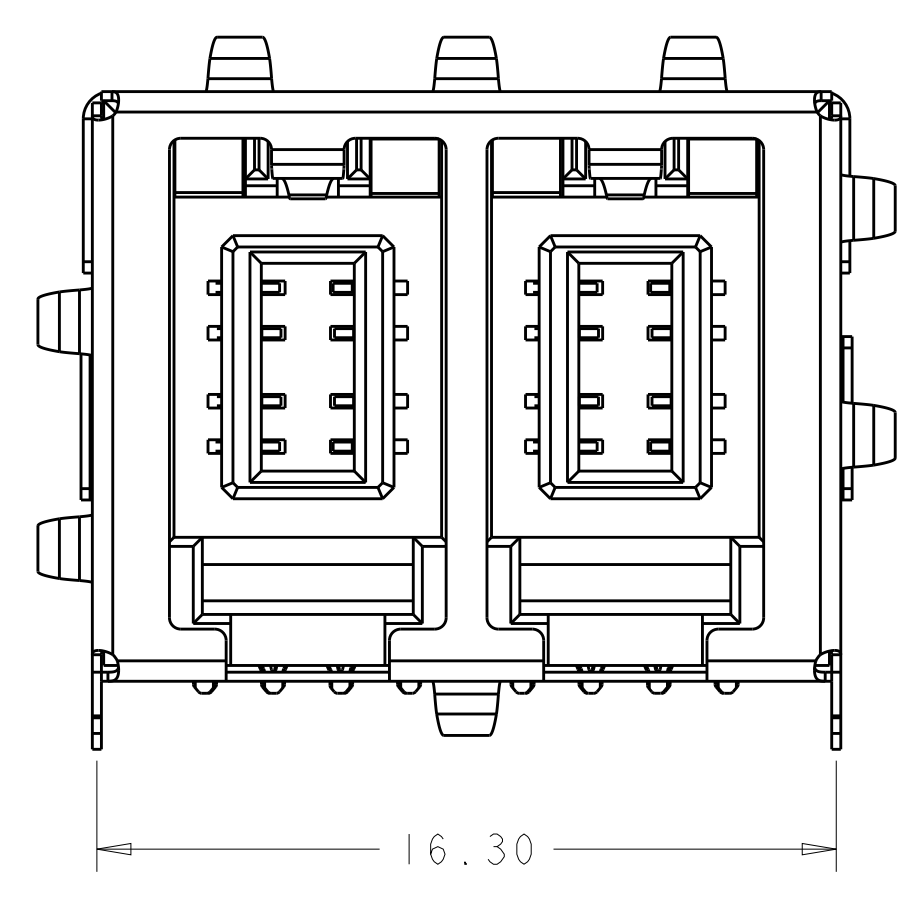


LOC	DIST	REVISIONS			
P	LTN	DESCRIPTION	DATE	DWN	APVD
A		ECR-11-018212	26MAR2012	DZ	AC
B			18JUN2013	CW	SH

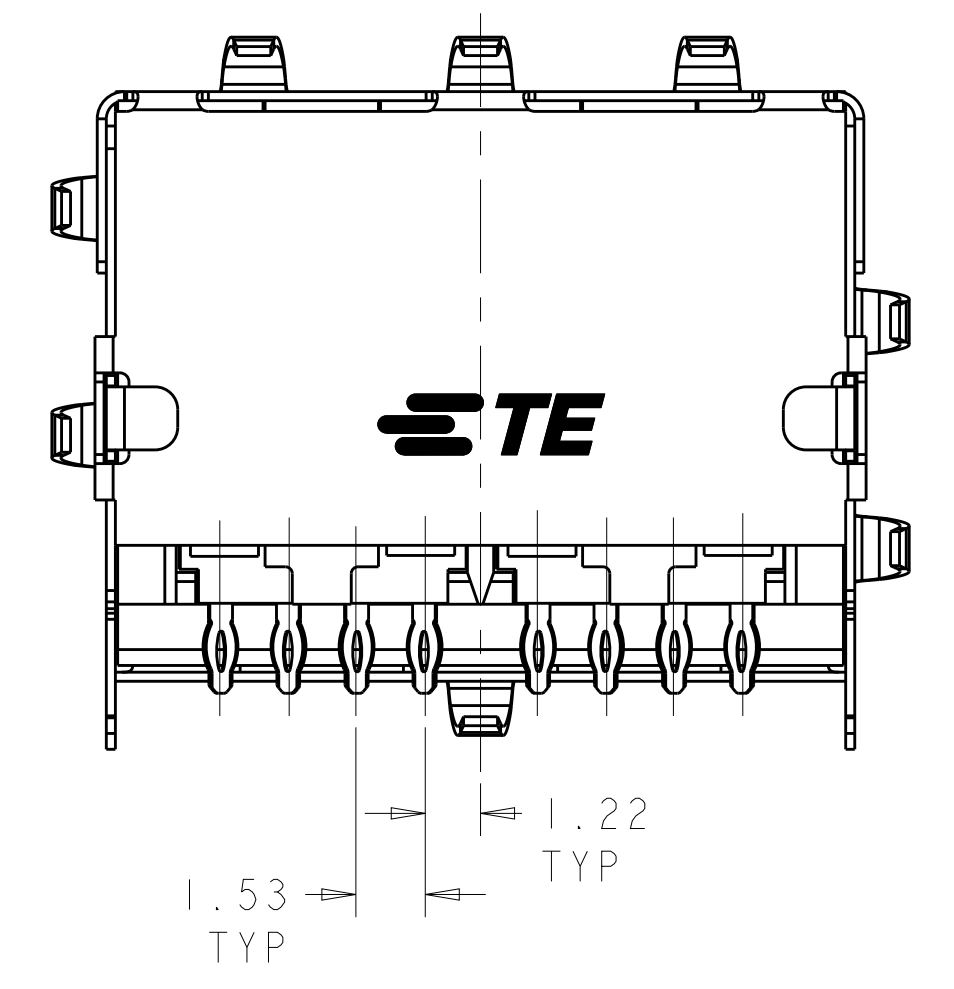
1. MATERIAL:  
 HOUSING: BLACK, THERMOPLASTIC, RATED UL 94V-0.  
 SHIELD: COPPER ALLOY WITH NICKEL PLATING.  
 CONTACTS: PHOSPHER BRONZE.  
 CONTACT PLATING: 0.05um MIN GOLD OVER  
 0.76um MIN PALLADIUM-NICKEL, AT MATING  
 INTERFACE CONTACT AREA.
2. DATE CODE SHOWN APPROXIMATE AREA.
3. LIGHT PIPE MATERIAL: CLEAR POLYCARBONATE
4. RECOMMENDED MIN PCB THICKNESS 1.5mm (.062").
5. DATUM AND BASIC DIMENSION ESTABLISHED BY CUSTOMER
6. FOR HOLE SIZE AND PLATINGS, SEE SHEET 3.
7. ISOLATION VOLTAGE: 2250VDC(MAX) FOR 60 SECONDS WITH  
 A RISE TIME OF 500V/SEC.
8. RECOMMENDED SMT LED MANUFACTURERS AND PN:  
 EVERLIGHT P/N: 18-225/R6G6C-A01/3T OR  
 PARALIGHT P/N: L-C185KFKGT



SCALE 6:1



SCALE 6:1



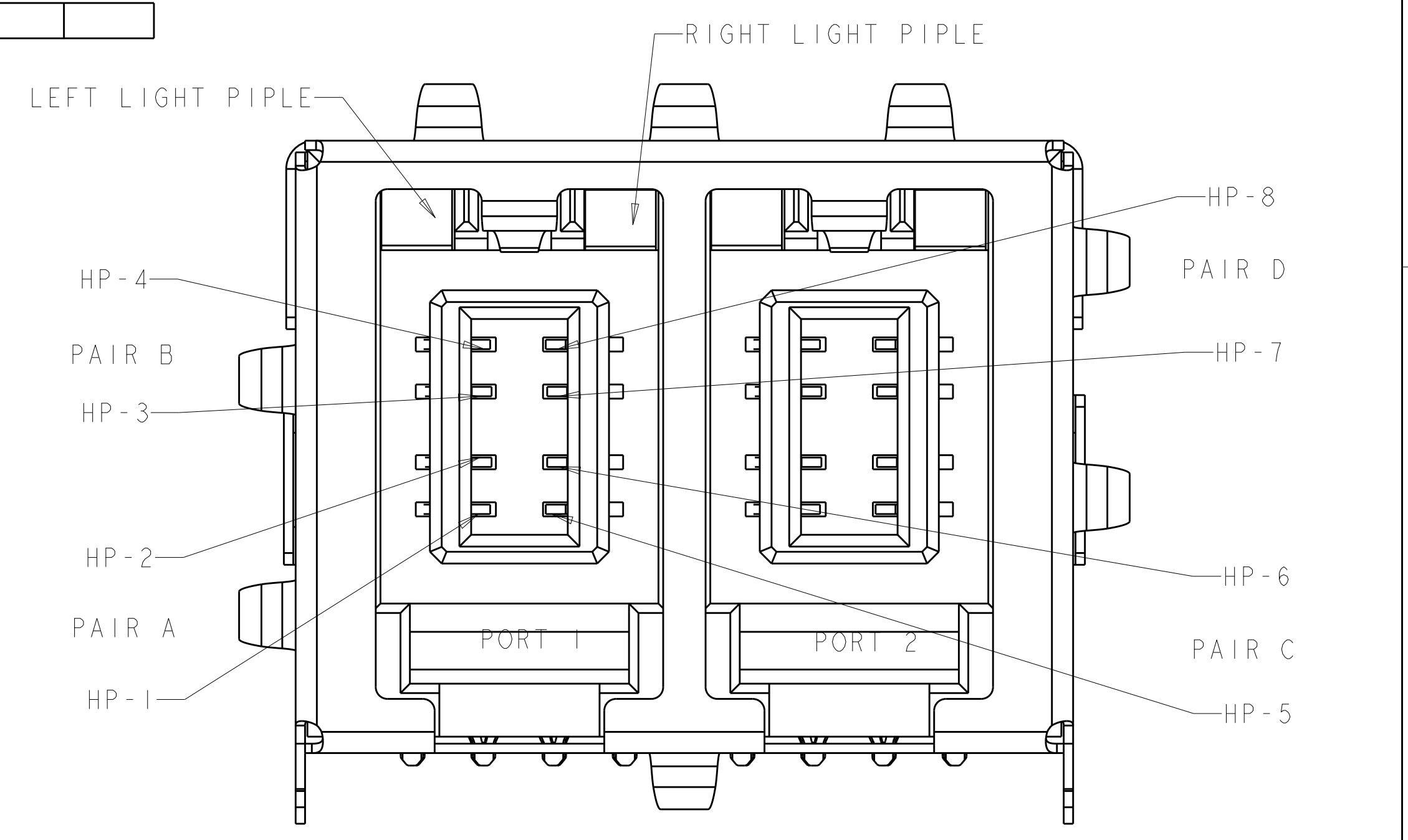
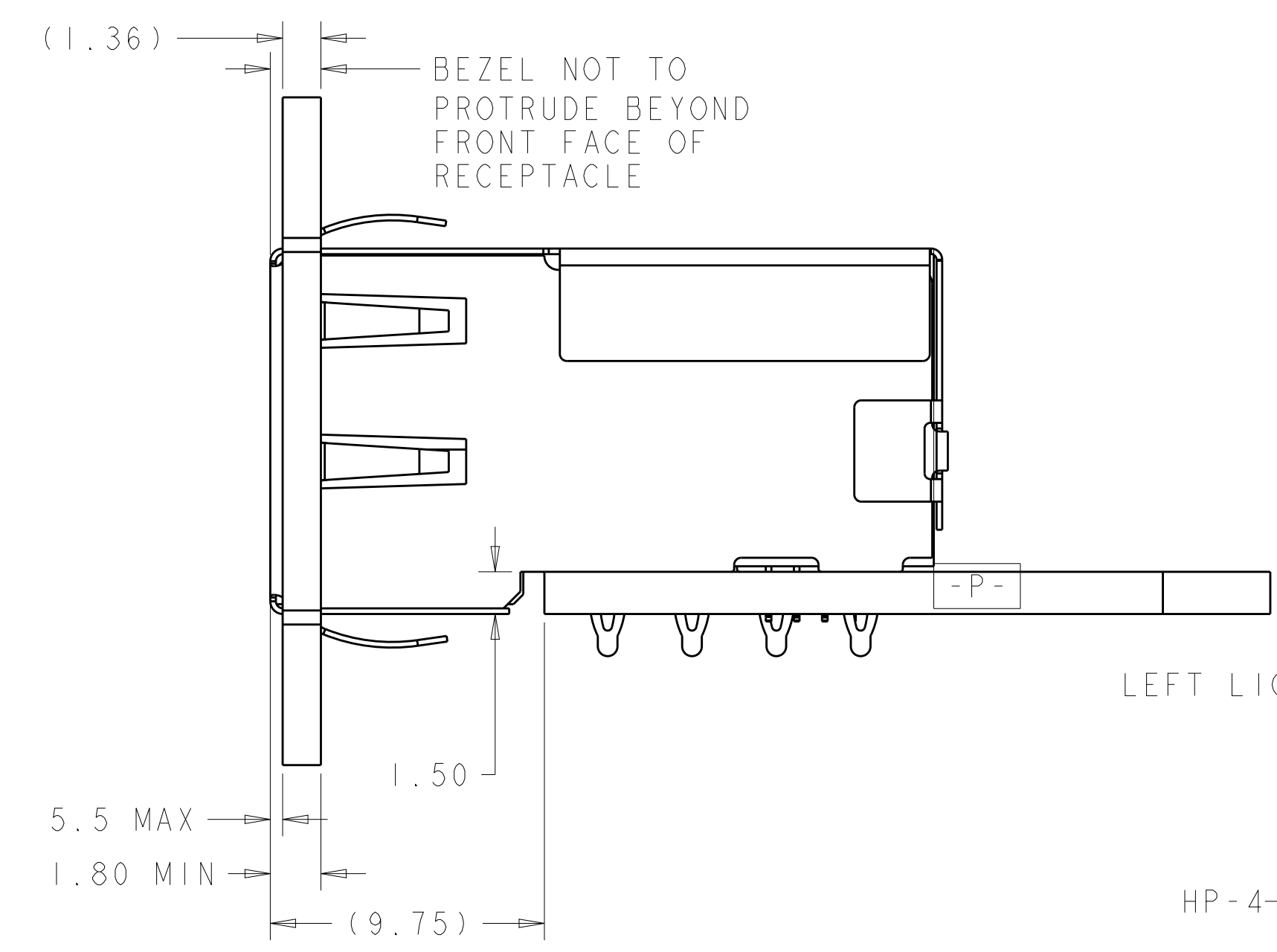
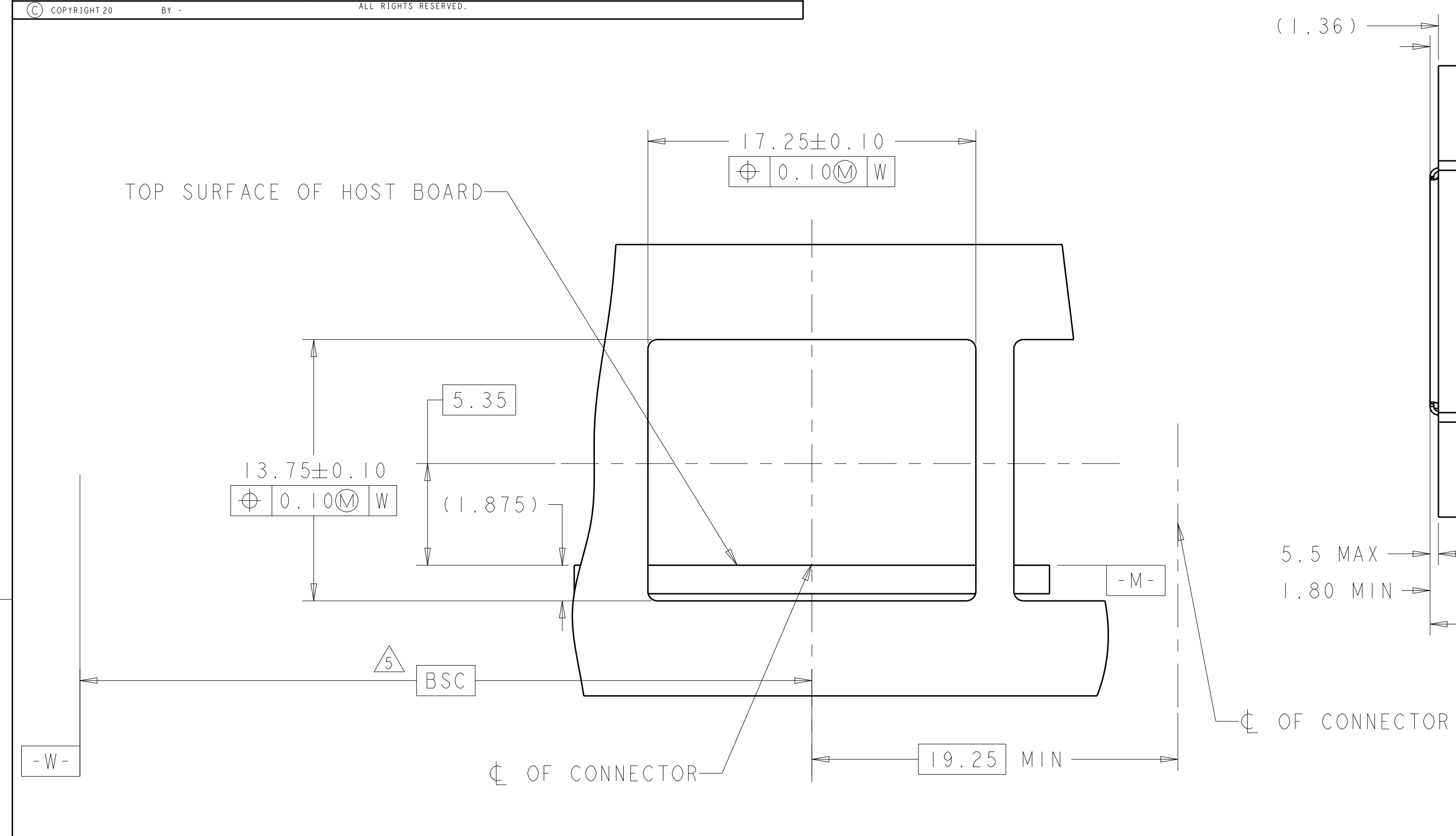
2170129-1 P/N

THIS DRAWING IS A CONTROLLED DOCUMENT.		DWN D. ZHU 15MAY2011	2170129-1 P/N	
DIMENSIONS:		CHK MANOJIAN.W 15MAY2011	TE Connectivity	
mm	TOLERANCES UNLESS OTHERWISE SPECIFIED:	APVD MANOJIAN.W 15MAY2011	NAME RECEPTACLE ASSEMBLY 1X2 OFFSET, NON MAGNETICS RJ POINT FIVE	
0 PLC	±	PRODUCT SPEC	SIZE CAGE CODE DRAWING NO RESTRICTED TO	
1 PLC	±0.25	108-60097	A100779C=2170129	
2 PLC	±	APPLICATION SPEC	SCALE 1:1 SHEET 1 OF 3 REV B	
3 PLC	±	114-60014		
4 PLC	±	WEIGHT		
ANGLES	±2°	Customer Drawing		
MATERIAL	FINISH			

LOC	DIST	REV	DATE	BY	APPD
AG	00				

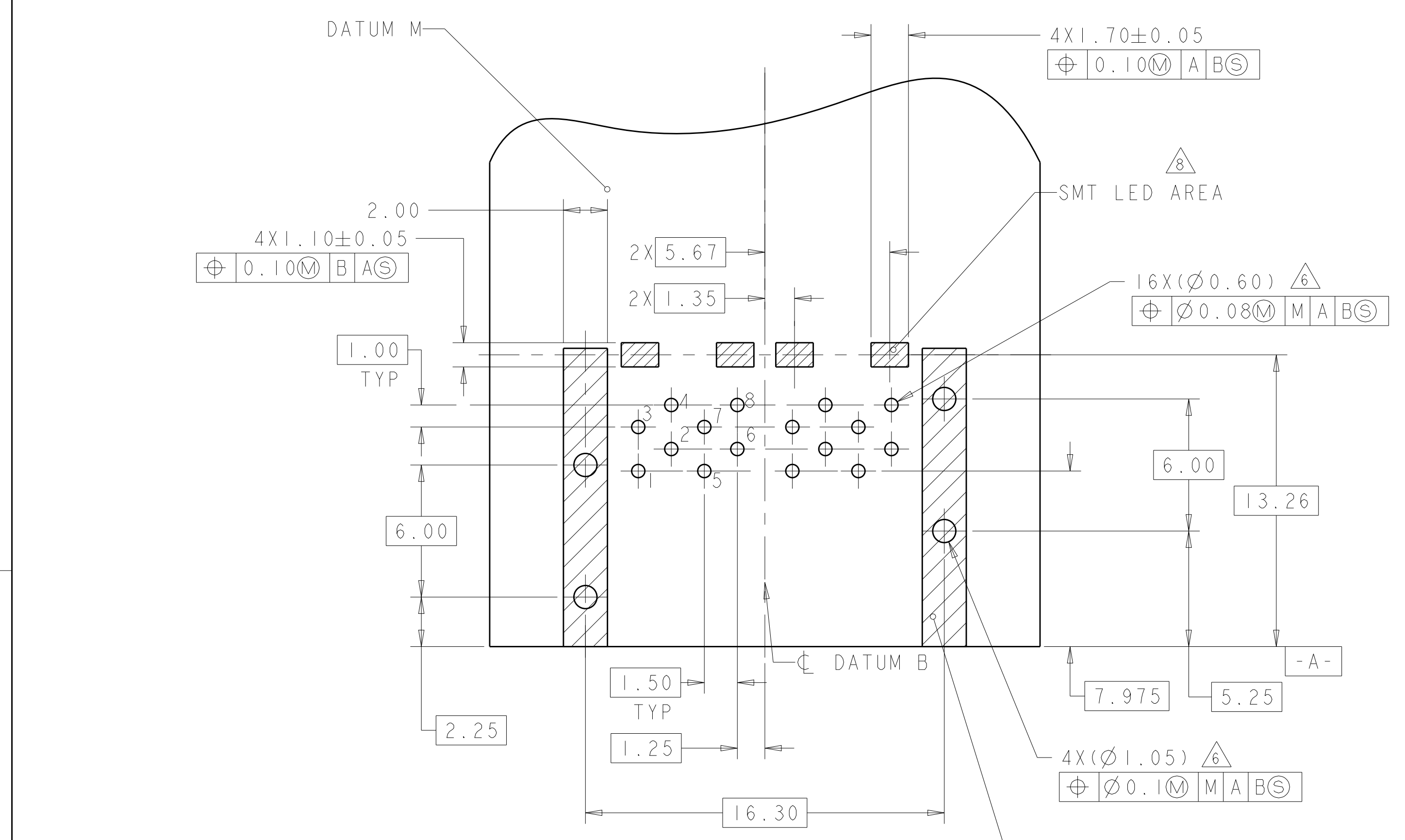
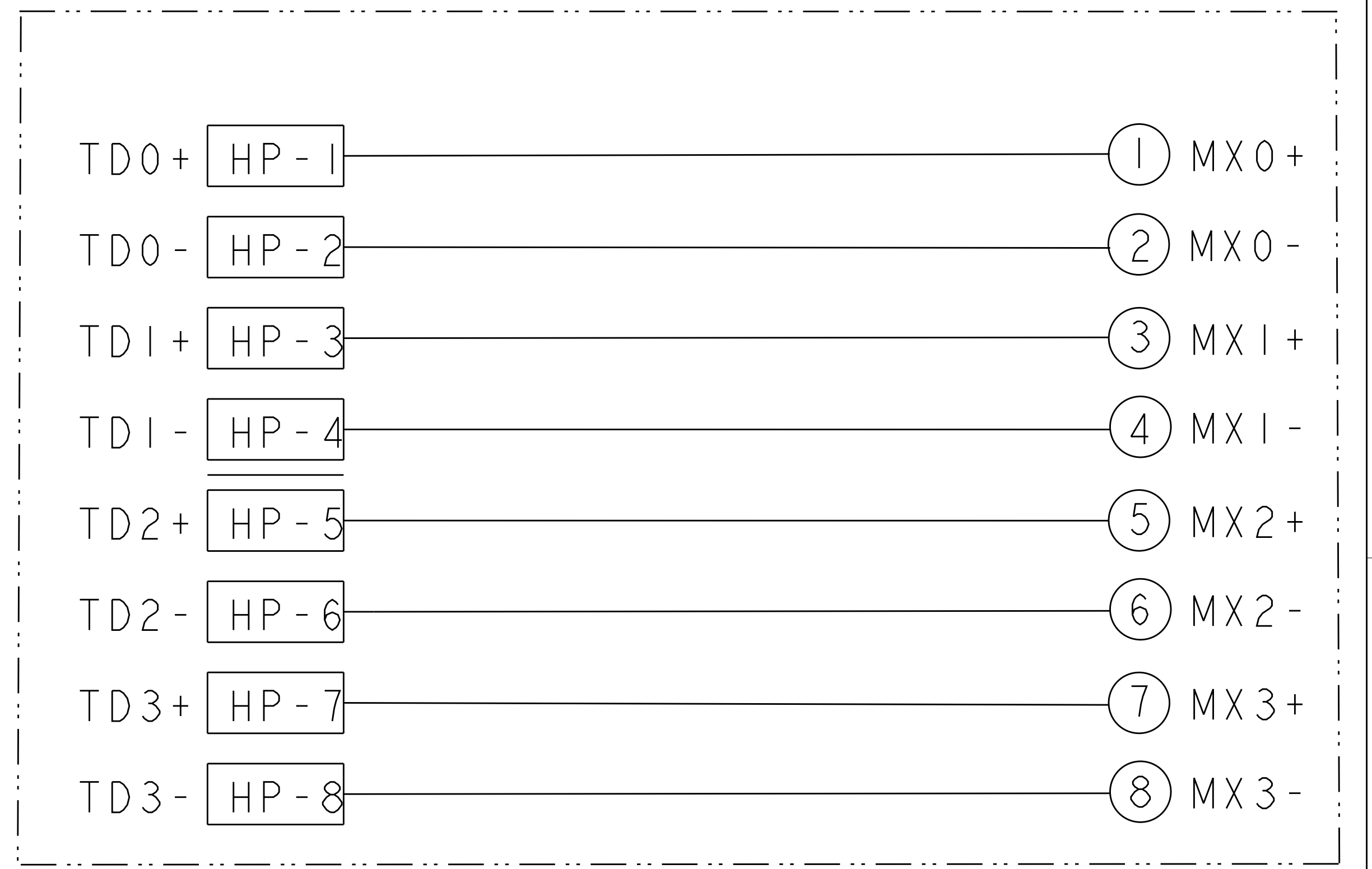
  

REVISIONS			
NO.	DESCRIPTION	DATE	BY
1	SEE SHEET 1		



RECOMMENDED PANEL CUTOUT  
 SCALE 5:1

SCALE 10:1



CROSS-HATCHED AREA DENOTES COMPONENT AND TRACE KEEP-OUT (EXCEPT CHASSIS GROUND)

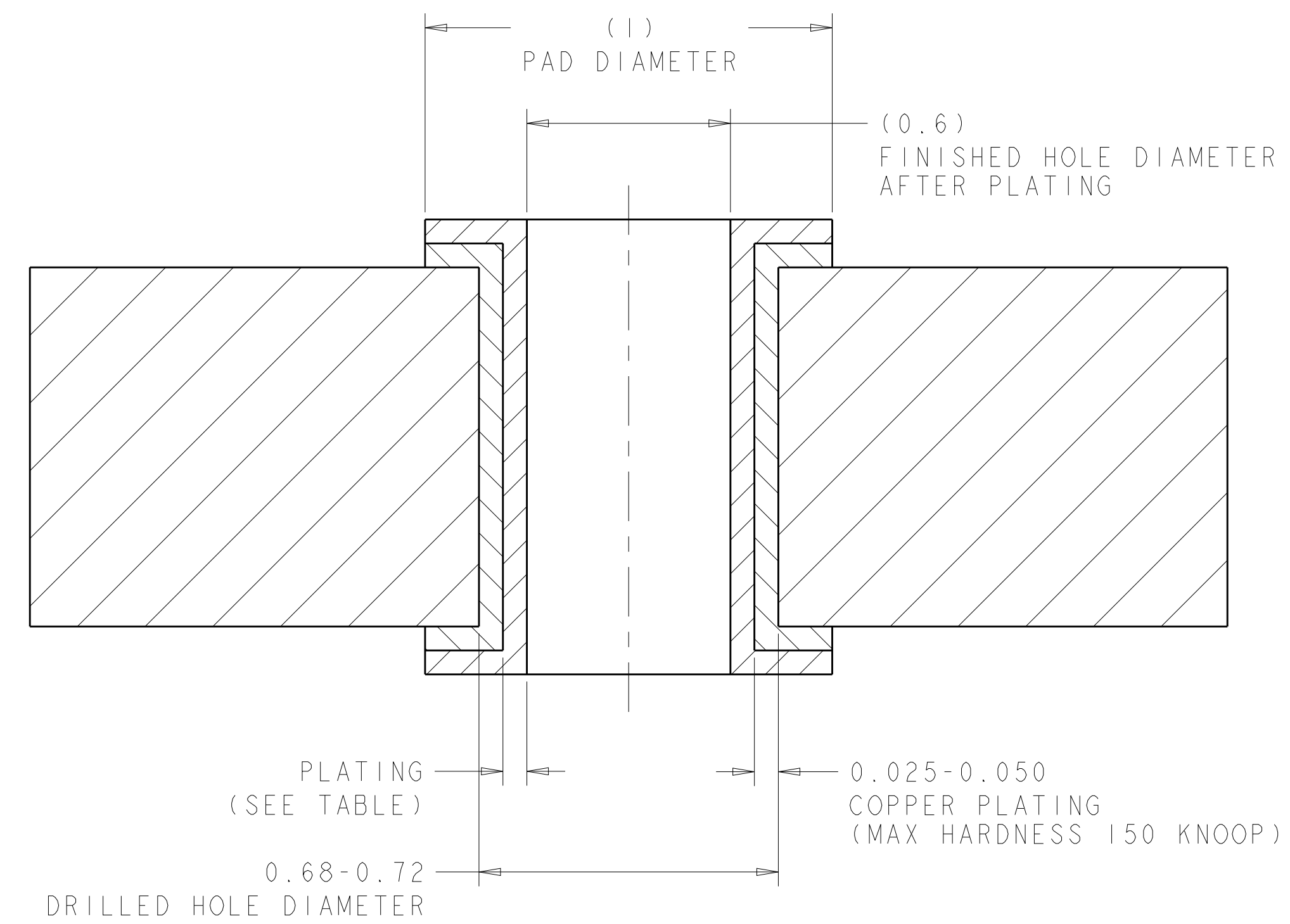
RECOMMENDED PCB LAYOUT VIEWED FROM COMPONENT SIDE  
 SCALE 6:1

THIS DRAWING IS A CONTROLLED DOCUMENT.

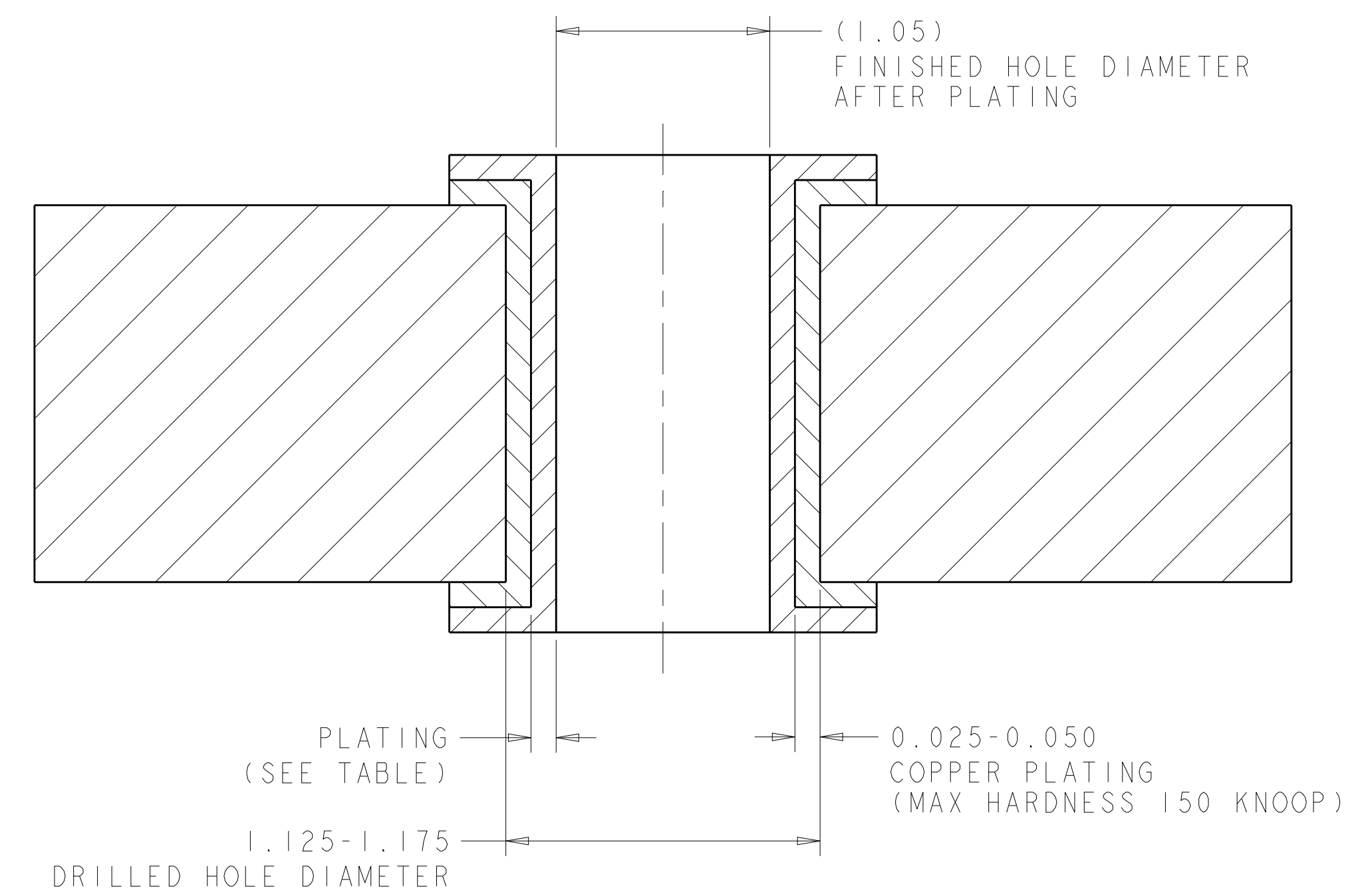
DIMENSIONS:	TOLERANCES UNLESS OTHERWISE SPECIFIED:	OWN: D_ZHU 15MAY2011	CHK: MANOJAN.W 15MAY2011	APVD: MANOJAN.W 15MAY2011
mm	0 PLC ±	NAME: RECEPTACLE ASSEMBLY 1X2 OFFSET, NON MAGNETICS RJ POINT FIVE		
	1 PLC ±0.25	SIZE: CAGE CODE DRAWING NO: RESTRICTED TO		
	2 PLC ±	A100779C=2170129		
	3 PLC ±	SCALE: 1:1 SHEET 2 OF 3 REV B		
	4 PLC ±	Customer Drawing		
MATERIAL:	FINISH:	WEIGHT:		

STC TE Connectivity

LOC		DIST		REVISIONS				
P	LTN	DATE	DMN	APVD	DESCRIPTION	DATE	DMN	APVD
-	-	-	-	-	SEE SHEET 1	-	-	-



RECOMMENDED HOLE DIMENSIONS FOR SIGNAL CONTACTS



RECOMMENDED HOLE DIMENSIONS FOR SHIELD PINS

THICKNESS	PLATING
0.004-0.010	HOT AIR SOLDER LEVELING (HASL) TIN-LEAD (Sn Pb)
0.0005-0.001	IMMERSION TIN (Sn)
0.0002-0.0005	ORGANIC SOLDERABILITY PRESERVATIVE (OSP)
0.0001-0.0005 Au, 0.004-0.0076 Ni	IMMERSION GOLD (Au) OVER NICKEL (Ni) (ENIG)
0.010-0.025	TIN LEAD PLATING (Sn Pb)
0.0001-0.00015	IMMERSION SILVER (Ag)

THIS DRAWING IS A CONTROLLED DOCUMENT.

DIMENSIONS: mm  
 TOLERANCES UNLESS OTHERWISE SPECIFIED:  
 0 PLC ±  
 1 PLC ±0.25  
 2 PLC ±  
 3 PLC ±  
 4 PLC ±  
 ANGLES ±2°

DWN: D. ZHU 15MAY2011  
 CHK: MANOJAN. W 15MAY2011  
 APVD: MANOJAN. W 15MAY2011

**STE** TE Connectivity  
 NAME: RECEPTACLE ASSEMBLY 1X2 OFFSET, NON MAGNETICS RJ POINT FIVE  
 PRODUCT SPEC: 108-60097  
 APPLICATION SPEC: 114-60014  
 SIZE: A1  
 CAGE CODE: 00779  
 DRAWING NO: 2170129  
 WEIGHT: -  
 MATERIAL: Customer Drawing  
 SCALE: 4:1  
 SHEET: 3 OF 3  
 REV: B

单击下面可查看定价，库存，交付和生命周期等信息

[>>TE Connectivity\(泰科\)](#)