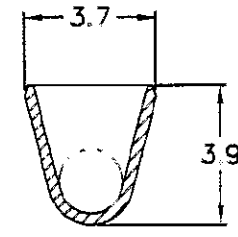
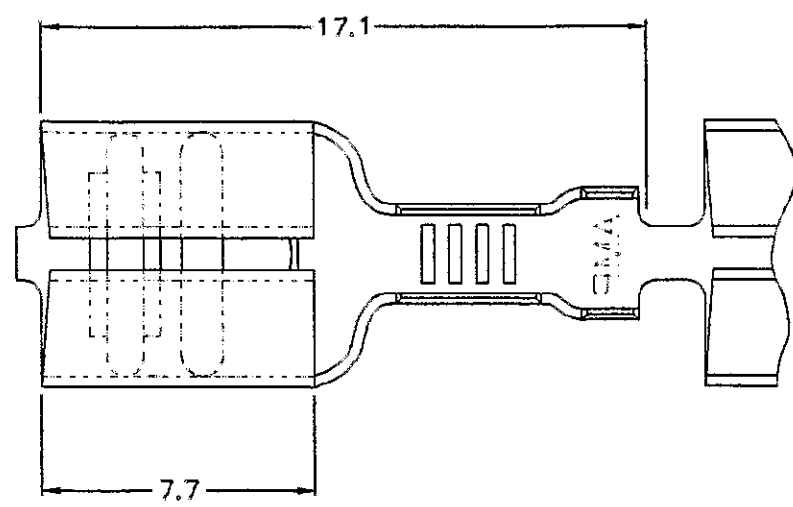


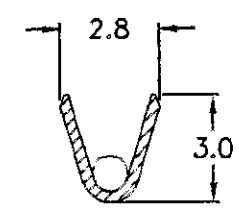
CAD  
 DO NOT REVISE  
 EXCEPT BY CAD

LOC	DIST	REVISIONS				
P	LTR	DESCRIPTION	DATE	DWN	APVD	
AP	-	A1	REVISED BY EC 175-98	12 NOV 98	HL	MLO
		A2	REVISED PER ECO-09-026444	26NOV09	KK	AEG

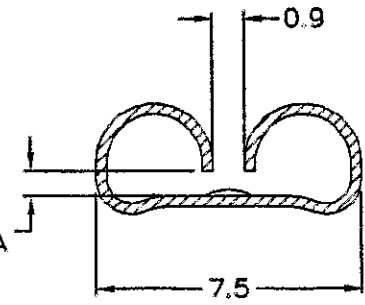
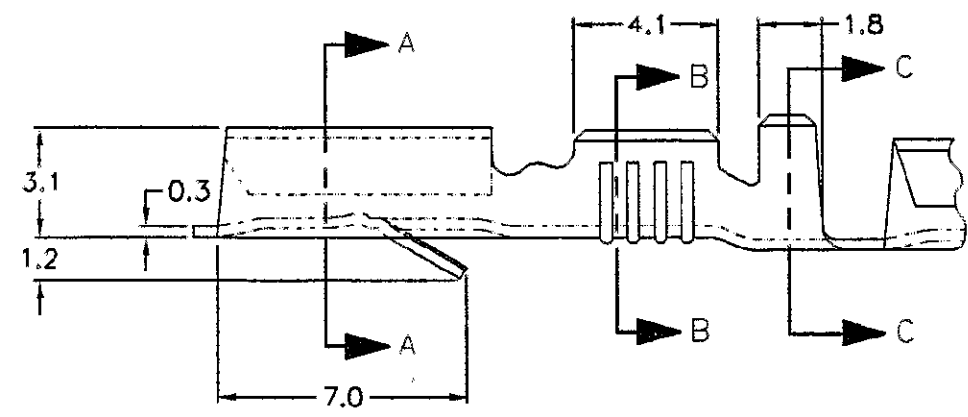
DO NOT SCALE



SECTION C-C



SECTION B-B



SECTION A-A

PARA LINGUETAS DE  
 0,8mm DE ESPESSURA

1 OBSOLETE PARTS: OBSOLETE CIS STREAMLINING  
 PER D.RENAUD/D.SINISI

1 OBSOLETE	FINISH	MATERIAL	
ESTANHADO/TINNED		BRONZE FOSF./PHOS. BRONZE	-4
WIRE RANGE 0,50 - 1,00mm <sup>2</sup>	-----/-----	BRONZE FOSF./PHOS. BRONZE	-3
ESTANHADO/TINNED		LATÃO/BRASS	-2
INS. DIA. RANGE 1,40 - 2,30mm <sup>2</sup>	-----/-----	LATÃO/BRASS	-1
	FINISH	MATERIAL	880675

THIS DRAWING IS A CONTROLLED DOCUMENT.

DIMENSIONS MM	TOLERANCES UNLESS OTHERWISE SPECIFIED:	DWN H.LIVERARO 23OCT98	<b>AMP</b> AMP do BRASIL LTDA. São Paulo, Brasil
	0 PLC ± - 1 PLC ± 0,3 2 PLC ± - 3 PLC ± - 4 PLC ± - ANGLES ± 1°	CHK M.L. OGAWA 12 NOV 98	
MATERIAL SEE TABLE	FINISH SEE TABLE	APVD F.ALEXANDRONI 26NOV98	NAME
		PRODUCT SPEC	250 SERIES FAST-IN-ON RECEPTACLE
		APPLICATION SPEC	SIZE CAGE CODE DRAWING NO RESTRICTED TO
		WEIGHT	A3 00779 C-880675
		CUSTOMER DRAWING	SCALE 1:1 SHEET 1 OF 1 REV A2

ORIGINAL

单击下面可查看定价，库存，交付和生命周期等信息

[>>TE Connectivity\(泰科\)](#)