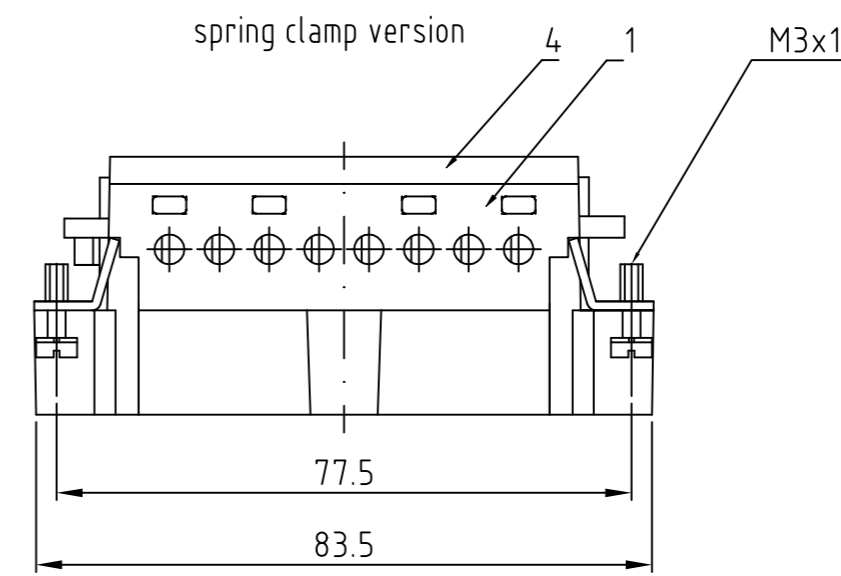
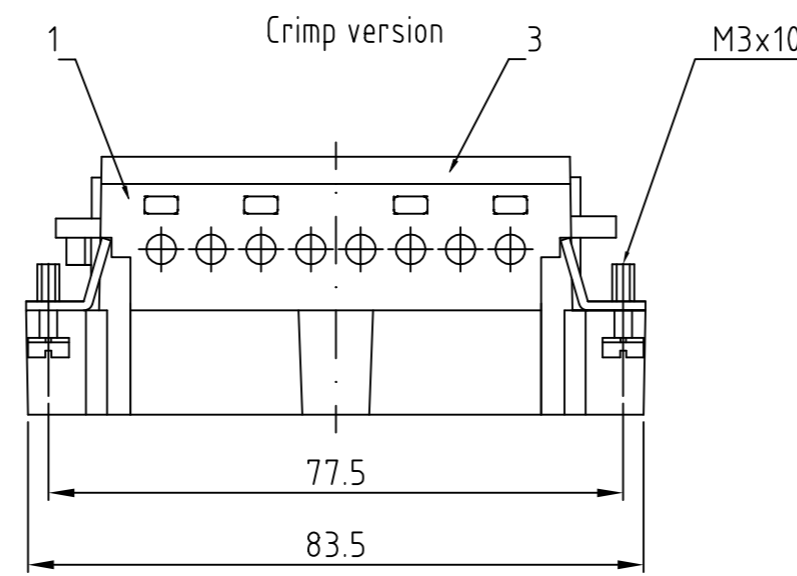
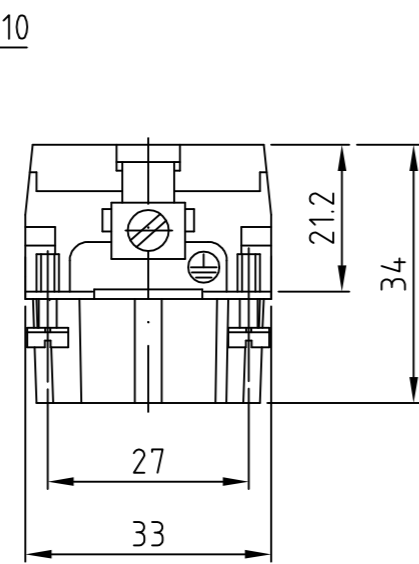
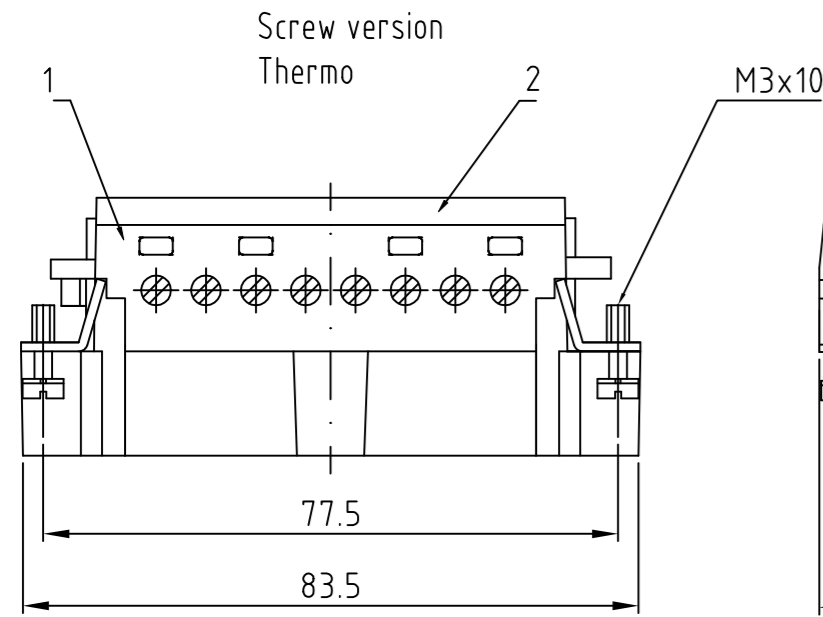


THIS DRAWING IS UNPUBLISHED.
VERTRAULICHE UNVERÖFFENTLICHTE ZEICHNUNG

RELEASED FOR PUBLICATION
FREI FUER VERÖFFENTLICHUNG
ALL RIGHTS RESERVED.
ALLE RECHTE VORBEHALTEN

MATED WITH
PASSEND ZU:
BG6

REVISIONS ÄNDERUNGEN				
P	LTR	DESCRIPTION BESCHREIBUNG	DATE	DWN APVD
	C11	ECR-17-009069	12FEB2018	SG MKO



assembly directions

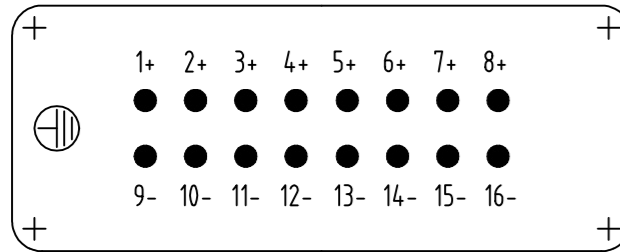
Sti

Bu

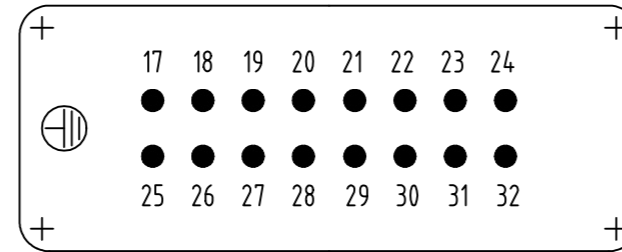
× distance for a safe contact max: max: 21 mm

Contact arrangement view from termination side

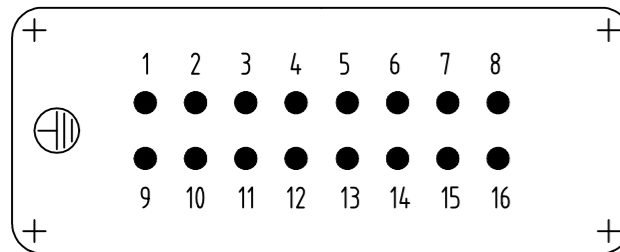
Printing 1-16 Thermo



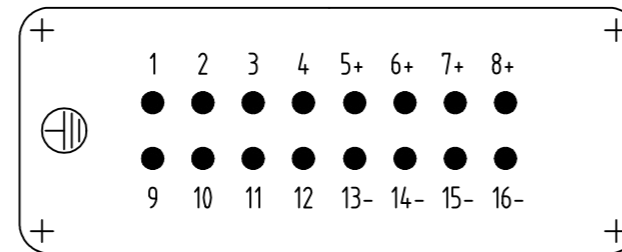
Printing 17-32 Screw



Printing 1-16 Screw



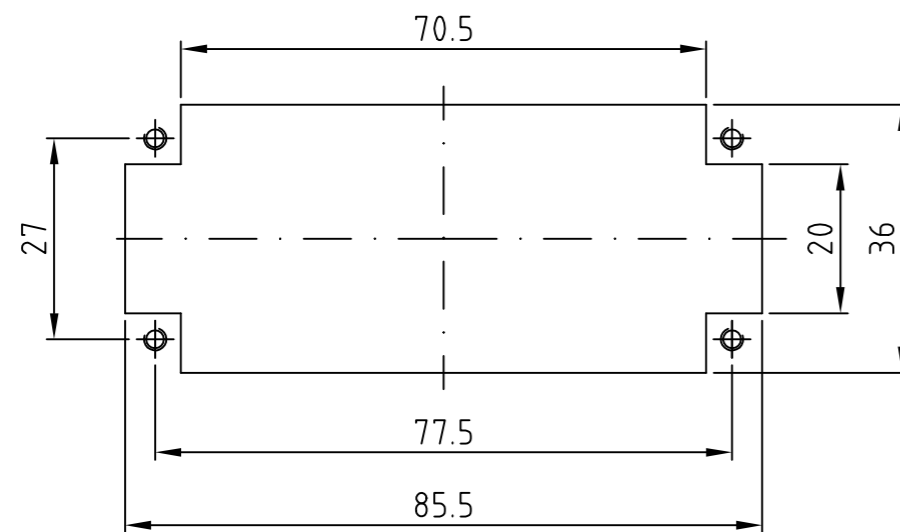
Printing 8+4+4 Screw/Thermo



NOTES:

- SUITABLE CRIMP CONTACTS: SERIES HE/HA
OUTER DIMENSIONS OF INSULATION: MAX. ϕ 3,2 MM
 - SUITABLE HOOD SIZE 6, 10: SERIES HB; HD;HIP;EMV
SUITABLE INSERTION AND EXTRACTION TOOL:
SCREWDRIVER 0,5x3 DIN 5264
 - Strip lenght: Screw conection 10mm
Spring clamp conection 10mm Crimp conection 7.5mm
 - STANDARDS:
DIN EN 61984; DIN EN 60664-1
- △ PACKAGING:
5 SETS IN A CARTON, PRE-MOUNTED
- △ SPECIAL PACKAGING: Krauss-Maffei
PACKAGING UNIT: 200 PIECES

Panel cut-out for contact insert when used without housing



HE.16.Sti.S.B.1-16-KM	OBSOLETE																			
HE.16.Sti.S.B.17-32-AU	OBSOLETE																			
HE.16.Sti.S.-T.B.8+4+4																				
HE.16.Sti.S.B.1-16-AU																				
HE.16.Sti.S.C.B.17-32	OBSOLETE																			
HE.16.Sti.S.C.B.1-16	SUPERSEDED BY T2040163101-000																			
HE.16.Sti.S.C.B.17-32	OBSOLETE																			
HE.16.Sti.S.C.B.1-16																				
HE.16.Sti.C																				
HE.16.Sti.S.B.17-32																				
HE.16.Sti.S.-T.B.1-16																				
HE.16.Sti.S.B.1-16																				

0-19-41-89-57-97-112-92-31-91-71-11	DESCRIPTION	MATERIAL	COLOR	ITEM NO. POS.	NOTES
	cover spring clamp version		light grey	4	
	cover crimp version		light grey	3	
	cover screw version		light grey	2	
	pin insert		light grey	1	

THIS DRAWING IS A CONTROLLED DOCUMENT. DIESE ZEICHNUNG IST EIN KONTROLLIERTES DOKUMENT.		DWN Schneider 08.02.99	TE Connectivity Male insert HE.16.StIs/C	
DIMENSIONS: MASSEINHEITEN: mm		CHK Schweiger 08.02.00		
TOLERANCES UNLESS OTHERWISE SPECIFIED: ALLGEMEINTOLERANZEN		APVD	NAME	
0 PLC + -		PRODUCT SPEC PRODUKTSPEZ.		
1 PLC + -		APPLICATION SPEC VERARBEITUNGSSPEZ.		
2 PLC + -		SCALE MASSSTAB 1:1		
3 PLC + -		SHEET BLATT 1		
4 PLC + -		REV C11		
ANGLES / WINKEL ± -		RESTRICTED TO NUR FUER		
FINISH / OBERFLAECHE / FARBE		CUSTOMER DRAWING / KUNDENZEICHNUNG		

单击下面可查看定价，库存，交付和生命周期等信息

[>>TE Connectivity\(泰科\)](#)