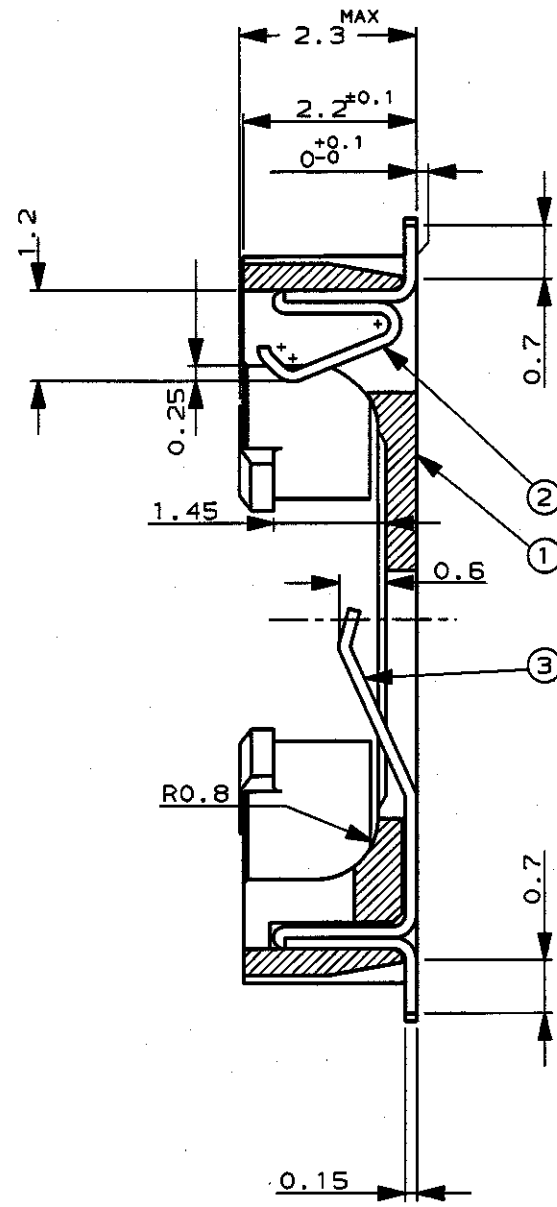
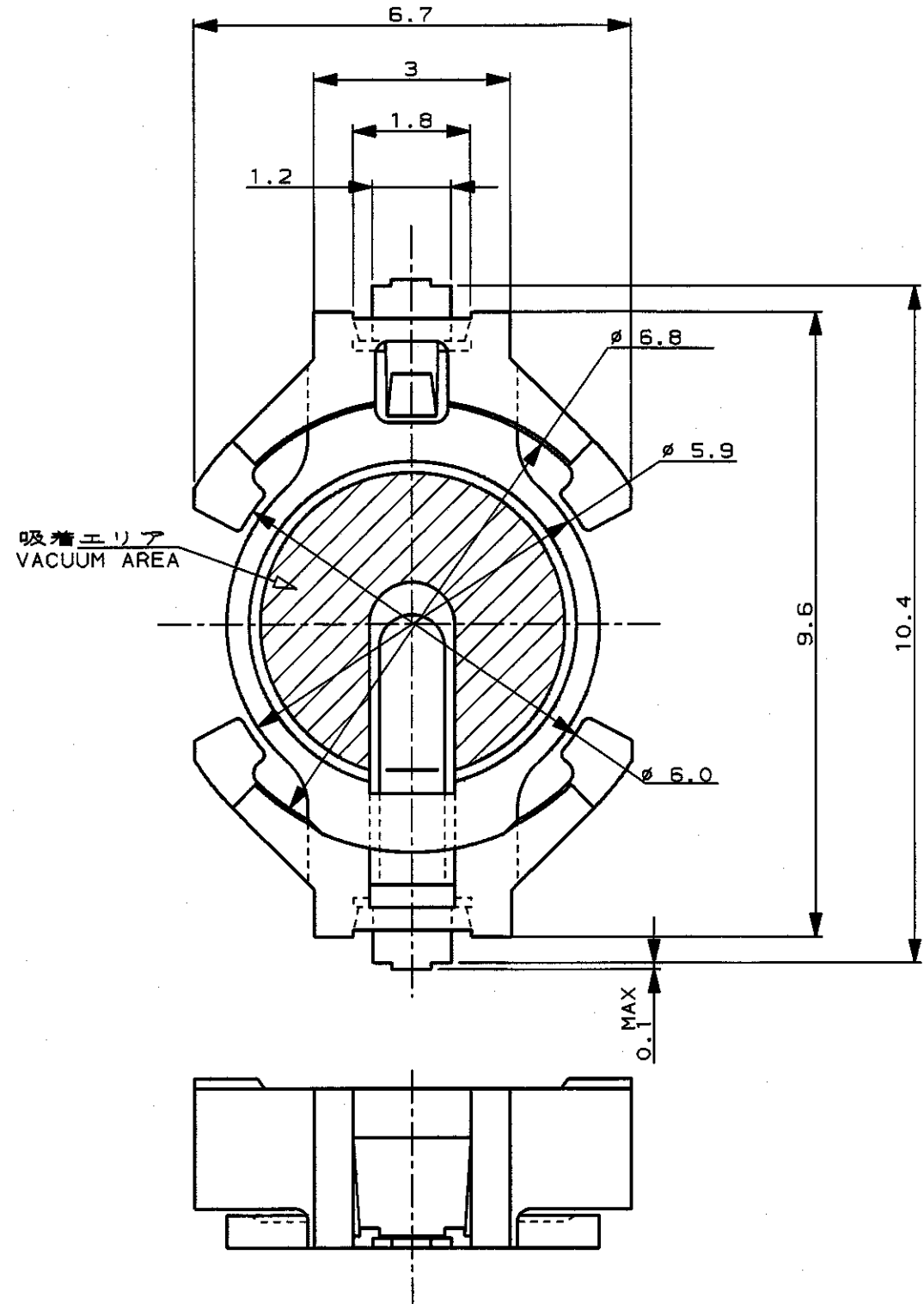



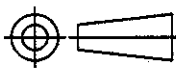
LOC	DIST	REVISIONS						
		P	LTR	DESCRIPTION	ECN	DATE	DWN	APVD
J			0	RELEASED	FJ00-1654-98	16NOV'98	T.K	K.K
			A	REVISED	FJ00-0396-99	23.APR.'99	T.K	K.K



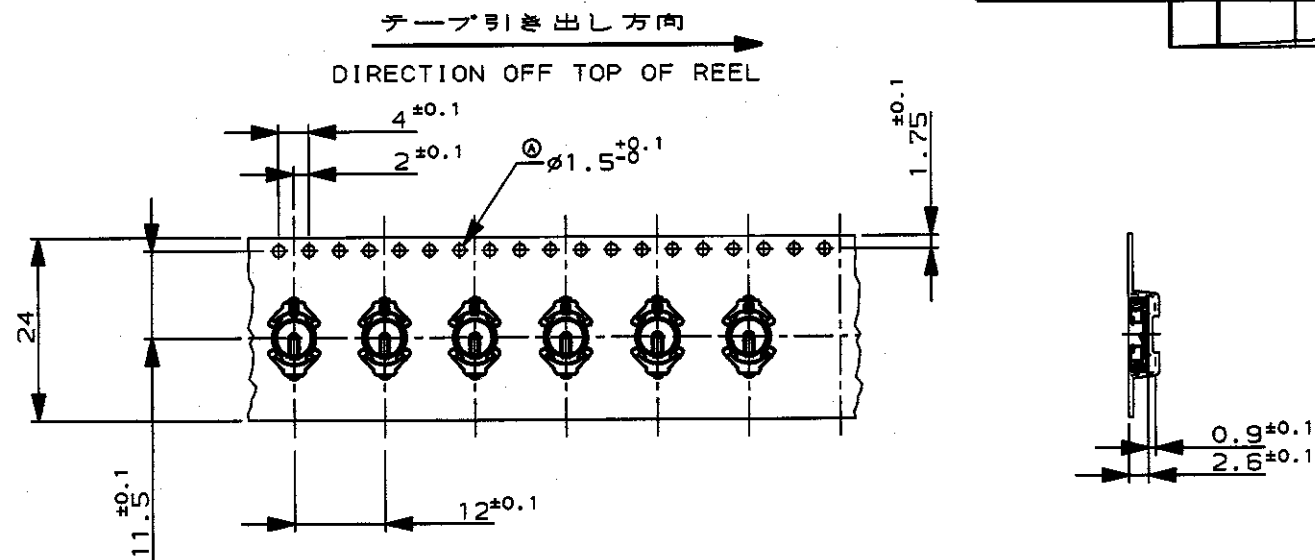
注記
 △ 重量 0.073g
 2. エンボステープ入り型番: 1318164-1
 単品型番: 1318164-2

NOTES
 △ NET WEIGHT, 0.073g
 2. P/N WITH EMBOSS TAPE : 1318164-1
 LOOSE PIECE : 1318164-2

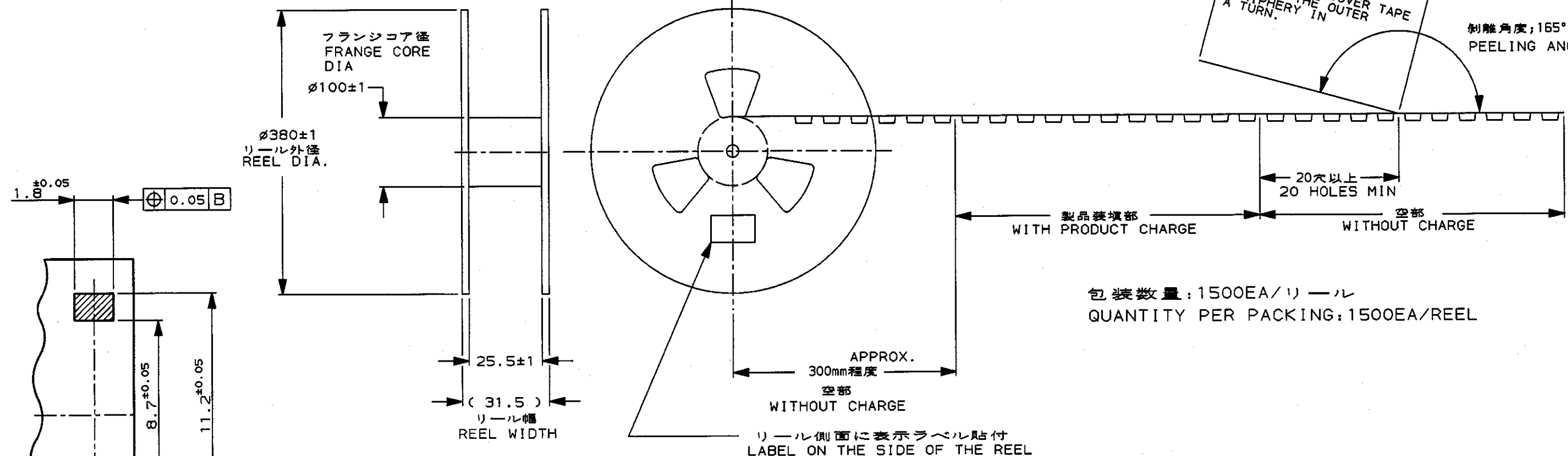
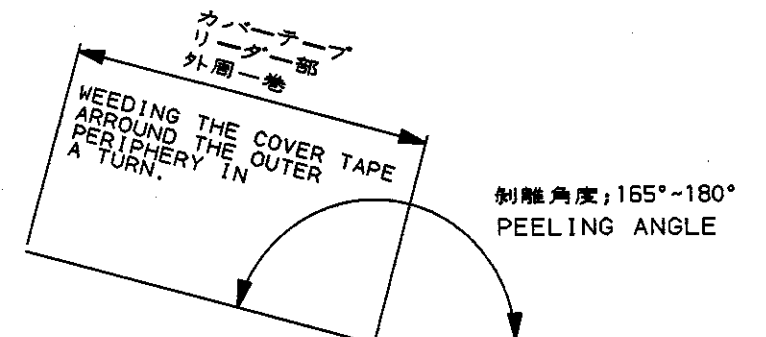
STAINLESS STEEL	- CONTACT	③
STAINLESS STEEL	+ CONTACT	②
THERMOPLASTIC (HIGH TEMPERATURE NYLON)	HOUSING	①
MATERIAL	NAME	ITEM

THIS DRAWING IS A CONTROLLED DOCUMENT FOR AMP INCORPORATED. IT IS SUBJECT TO CHANGE AND THE CONTROLLING ENGINEERING ORGANIZATION SHOULD BE CONTACTED FOR THE LATEST REVISION.		DWN T. KIMURA 13/NOV/1998	 株式会社 日立製作所 Kawasaki, Japan
DIMENSIONS 単位: 概 mm	TOLERANCES UNLESS OTHERWISE SPECIFIED 一般公差 10mm : ±0.15 30mm : ±0.25 100mm : ±0.3 ANGLE : ±3°	CHK K. KODAIRA 16/NOV/1998 APVD K. KODAIRA 16/NOV/1998	
	MATERIAL 材料 SEE TABLE	PRODUCT SPEC 製品規格 108-5631 APPLICATION SPEC 取付適用規格	BATTERY HOLDER FOR ML614
	FINISH 仕上	WEIGHT △	SIZE CAGE CODE DRAWING NO A3 00779 C-1318164
		CUSTOMER DRAWING	RESTRICTED TO SCALE 10/1 SHEET 1 OF 2 REV A

LOC		DIST		REVISIONS					
				変更	DESCRIPTION	ECN	DATE	DWN	APVD
J					SEE 1 OF 2				



エンボステープ包装図
ENBOSS TAPING (SCALE, 1-1)



推奨基板パターン形状
RECOMMENDED PATTERN DIMENSION
(scale, 5-1)

THIS DRAWING IS A CONTROLLED DOCUMENT FOR AMP INCORPORATED. IT IS SUBJECT TO CHANGE AND THE CONTROLLING ENGINEERING ORGANIZATION SHOULD BE CONTACTED FOR THE LATEST REVISION.		OWN	AMP 日本エー・エム・ピー株式会社 Kawasaki, Japan
DIMENSIONS: 単位: 純 mm	TOLERANCES UNLESS OTHERWISE SPECIFIED 一般公差 10% : ±0.15 30% : ±0.25 100% : ±0.3 ANGLE : ±3°	CHK	
MATERIAL 材料	FINISH 仕上	APVD	NAME 名称
		PRODUCT SPEC 製品規格	BATTERY HOLDER FOR ML614
		APPLICATION SPEC 取付適用規格	SIZE CAGE CODE DRAWING NO 番号
		WEIGHT	A3 00779 C-1318164
CUSTOMER DRAWING			RESTRICTED TO
SCALE 尺度 #			SHEET 2 OF 2 REV A

单击下面可查看定价，库存，交付和生命周期等信息

[>>TE Connectivity\(泰科\)](#)