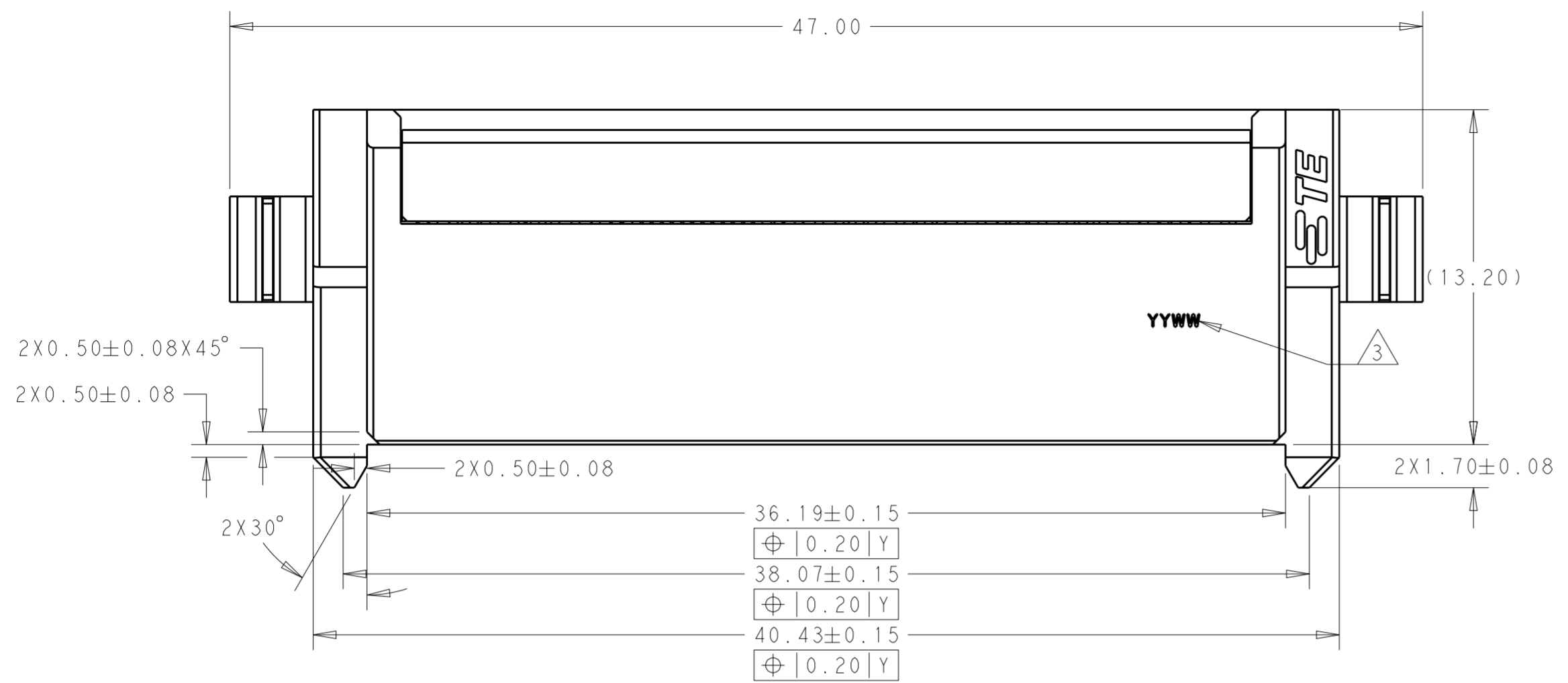
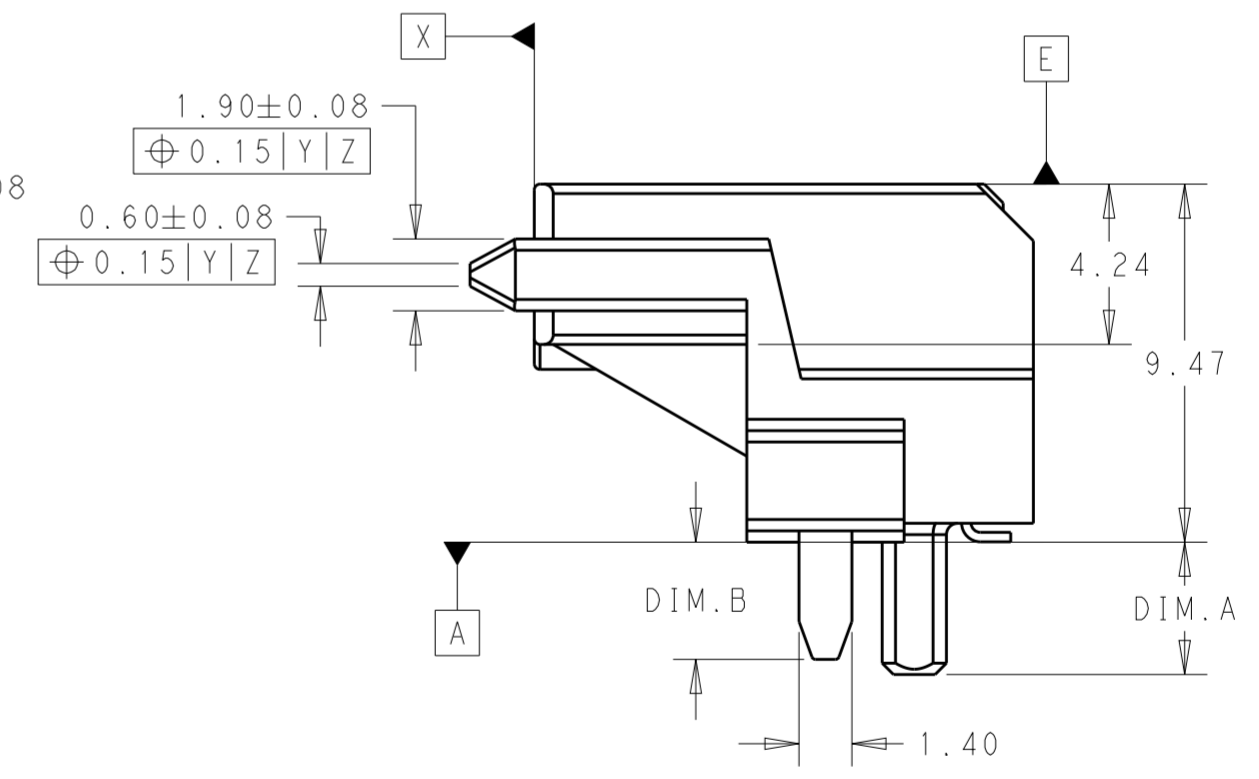
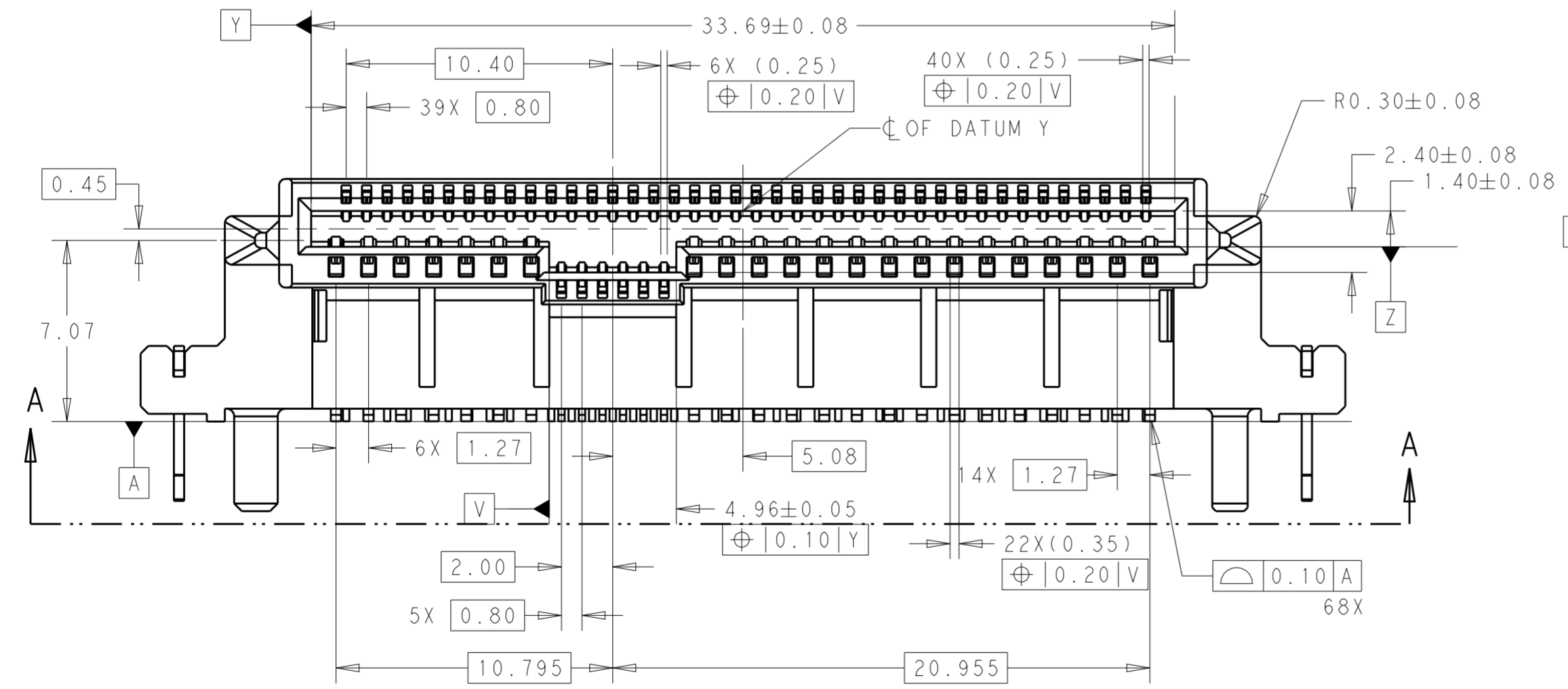


THIS DRAWING IS UNPUBLISHED. RELEASED FOR PUBLICATION
 © COPYRIGHT copyright.d8te- ALL RIGHTS RESERVED.

REVISIONS					
P	LTR	DESCRIPTION	DATE	DWN	APVD
A		RELEASED FOR PRODUCTION	20APR2017	TX	SH
B		REVISED PER ECO-17-012209	21AUG2017	TX	SH
C		REVISED PER ECO-18-008726	04JUN2018	TX	SH



NOTES:
 1. MATERIAL:
 HOUSING: LCP, GLASS FILLED.UL 94V-0,COLOR: BLACK
 TERMINAL: COPPER ALLOY
 PCB HOLD-DOWN: COPPER ALLOY
 2. PLATING:
 TERMINAL:
 CONTACT AREA: 0.76um MIN GOLD PLATING
 SOLDER TAIL: 2.54um MIN TIN PLATING
 UNDERPLATE: 1.27um MIN NICKEL PLATING
 PCB HOLD-DOWN: 2.54um MIN TIN OVER 1.27um NICKEL PLATING
 3. DATE LOGO. DATE CODE TO BE LOCATED APPROXIMATELY AS SHOWN.
 NON-FUNCTIONAL CORING MAY VARY.
 4. CONNECTOR COMES WITH A CAP TO BE REMOVED AFTER SOLDERING

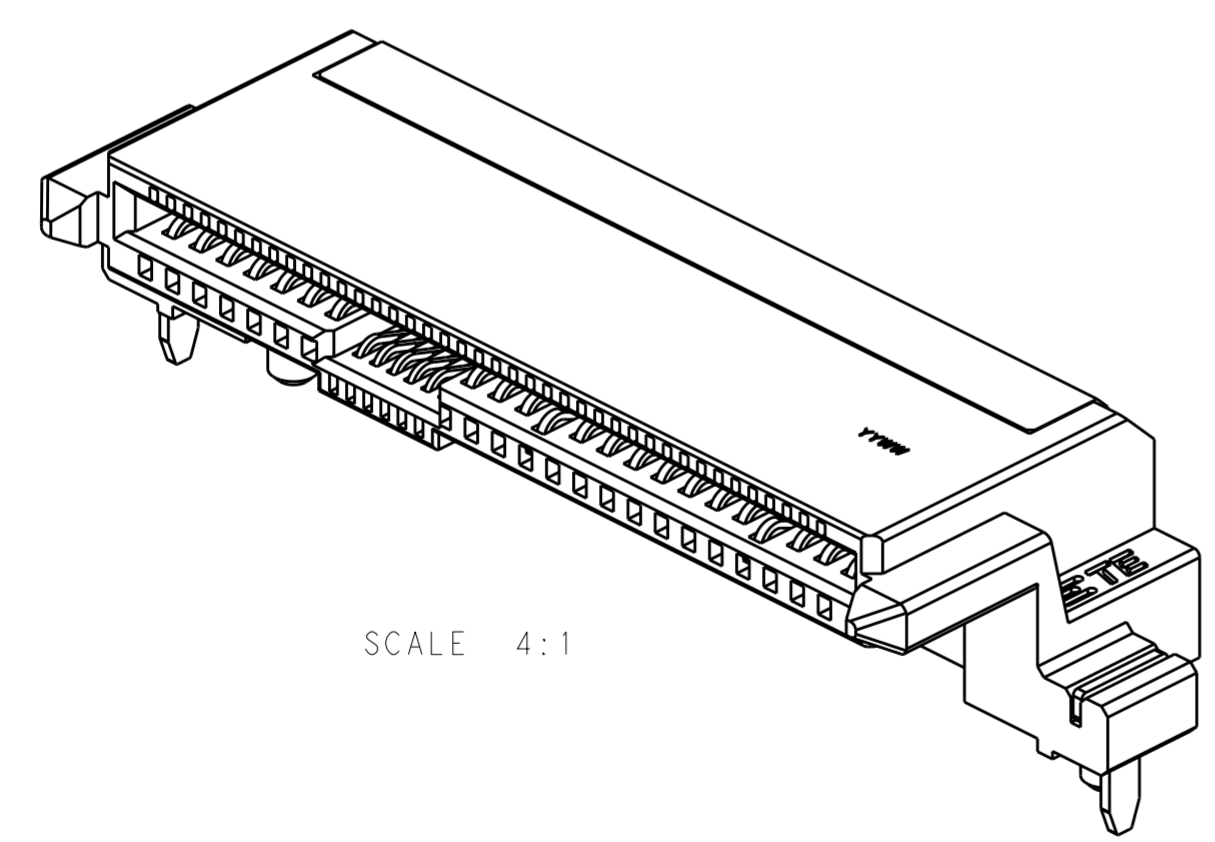
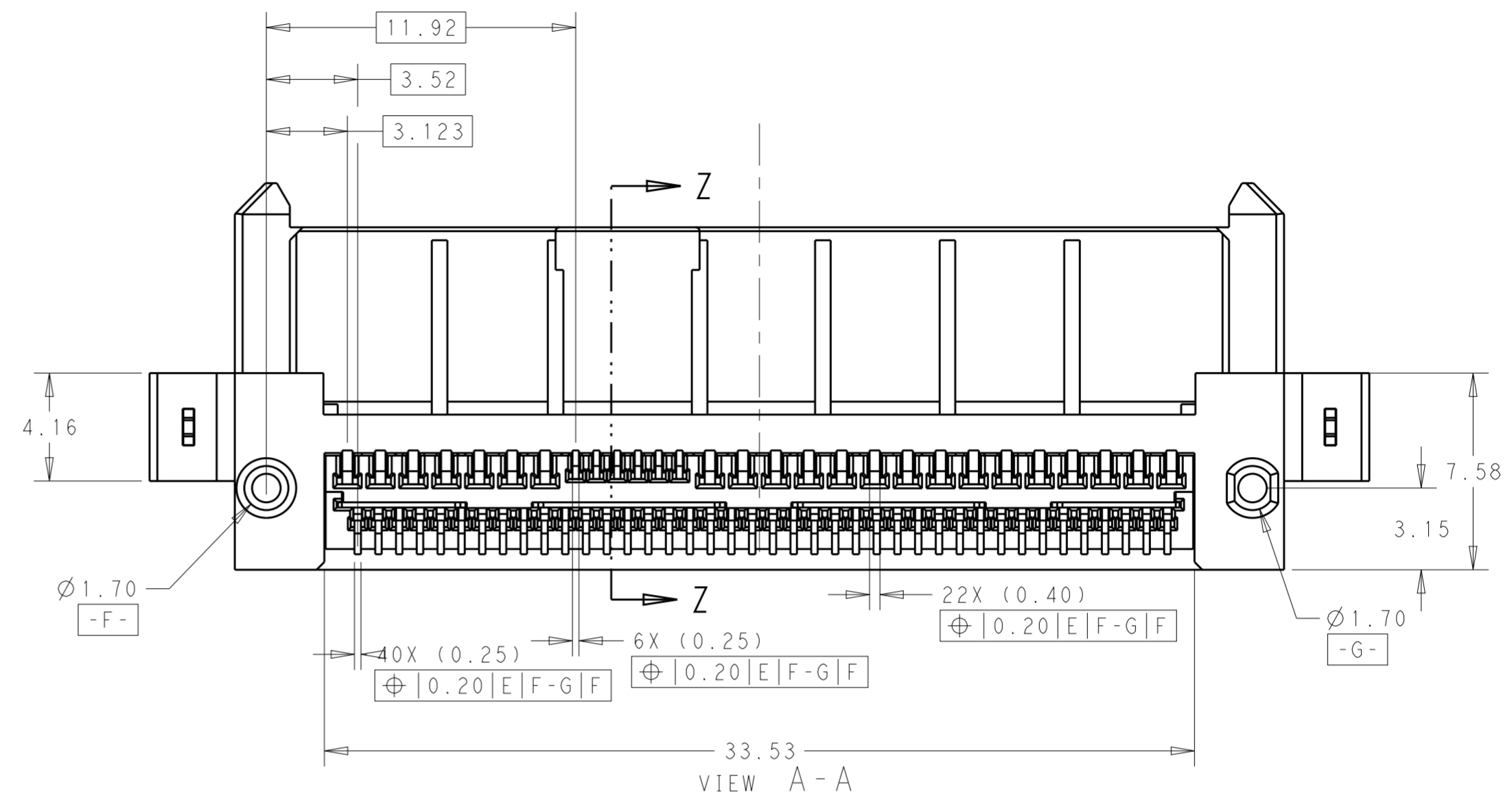
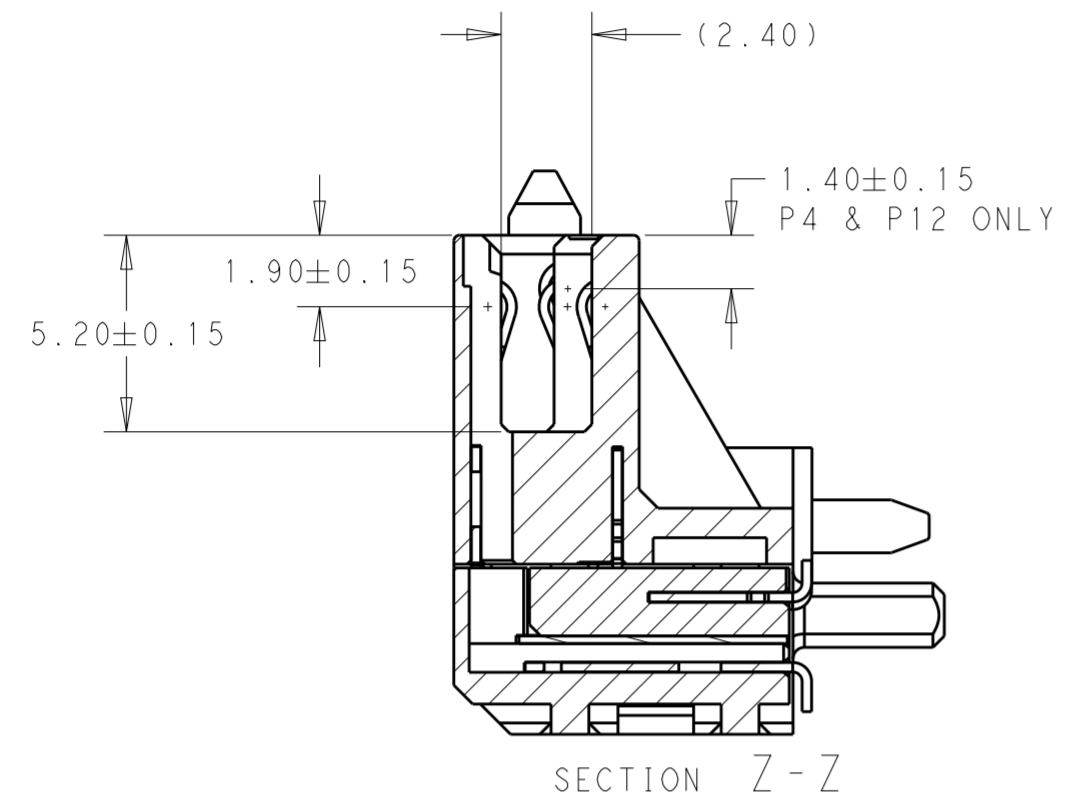


TAPE&REEL	2.10	2.10	2309567-2
TAPE&REEL	3.10	3.50	2309567-1
PACKAGE	DIM.B	DIM.A	PART NUMBER

THIS DRAWING IS A CONTROLLED DOCUMENT.		DWN TIM XUE 14SEP2016	TE Connectivity	
DIMENSIONS: mm		CHK SEAN HAN 14SEP2016		
TOLERANCES UNLESS OTHERWISE SPECIFIED:		APVD SEAN HAN 14SEP2016	NAME SAS/PCIE, RECEPTACLE SMT, RIGHT ANGLE TYPE	
0 PLC ±		PRODUCT SPEC	SIZE A2	
1 PLC ±0.25		APPLICATION SPEC	CAGE CODE C-2309567	
2 PLC ±0.20		WEIGHT	DRAWING NO C-2309567	
3 PLC ±0.20		CUSTOMER DRAWING	RESTRICTED TO	
4 PLC ±		SCALE 1:1	SHEET 1 OF 4	
ANGLES ±3°			REV C	
FINISH				

THIS DRAWING IS UNPUBLISHED. RELEASED FOR PUBLICATION
 © COPYRIGHT copyright.d8te- ALL RIGHTS RESERVED.

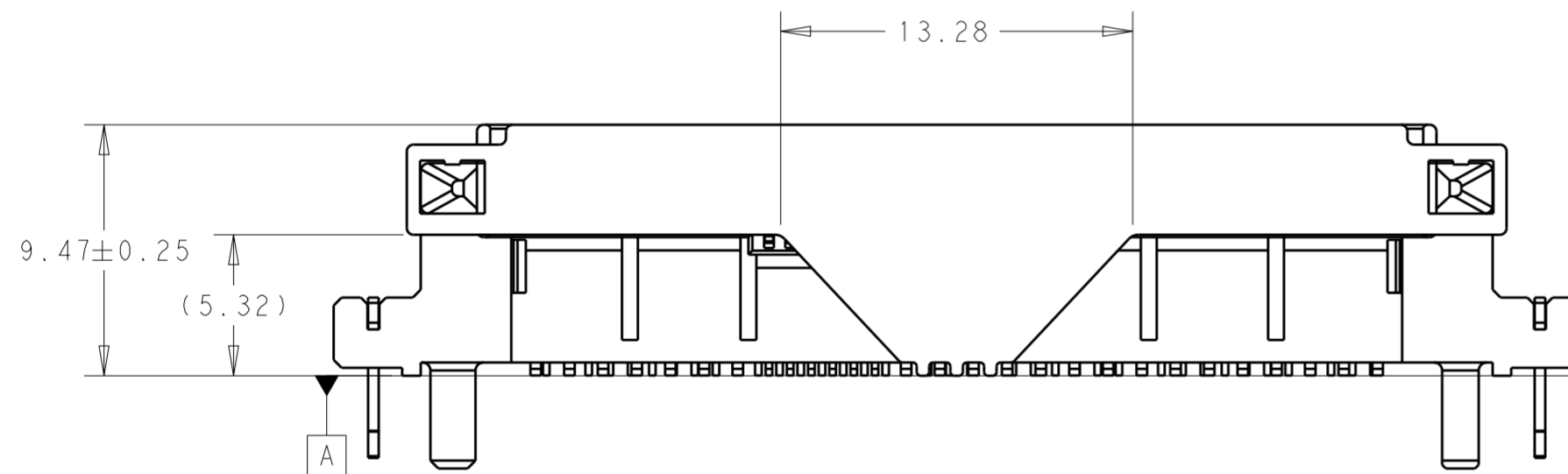
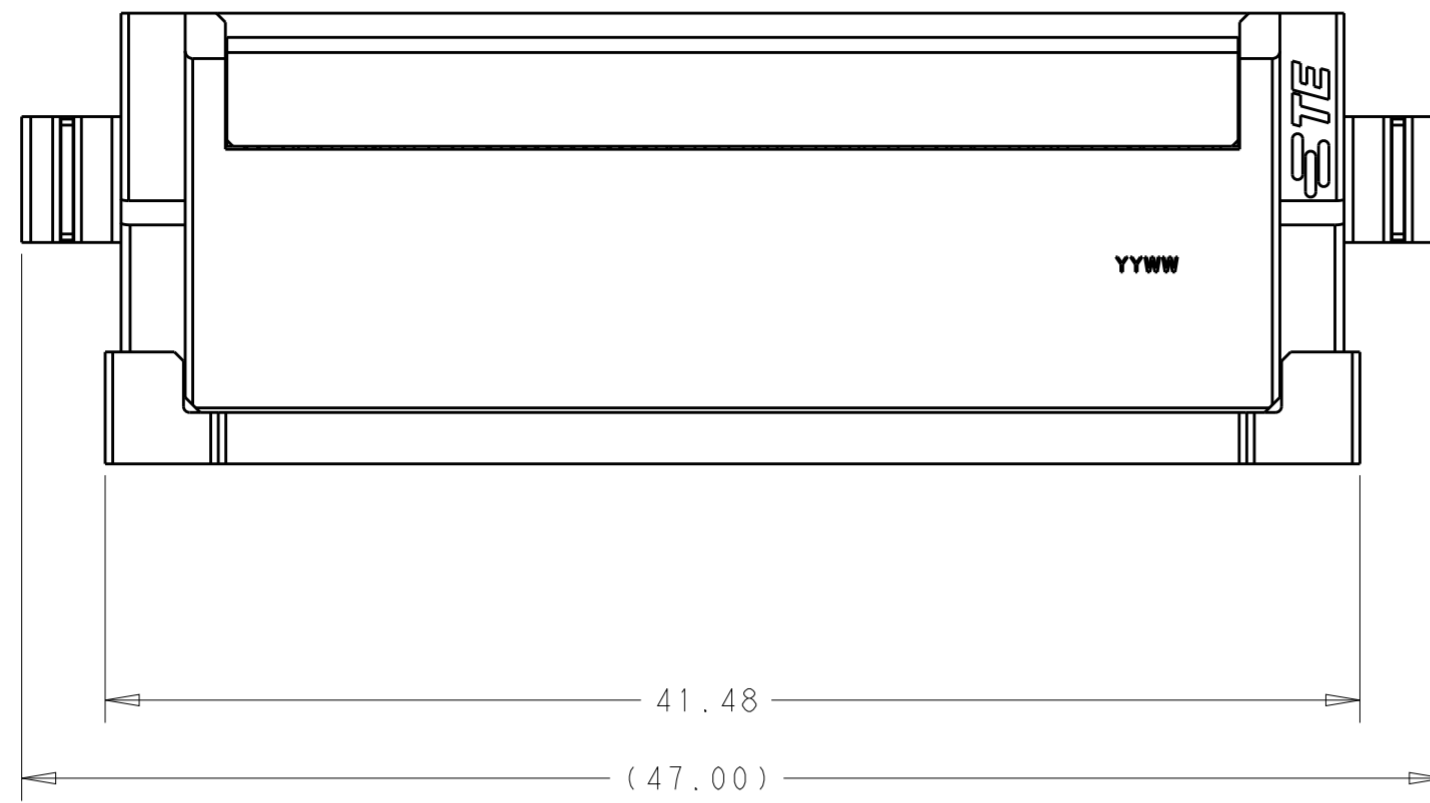
REVISIONS				
P	LTR	DESCRIPTION	DATE	APVD
-	-	SEE SHEET 1	-	-



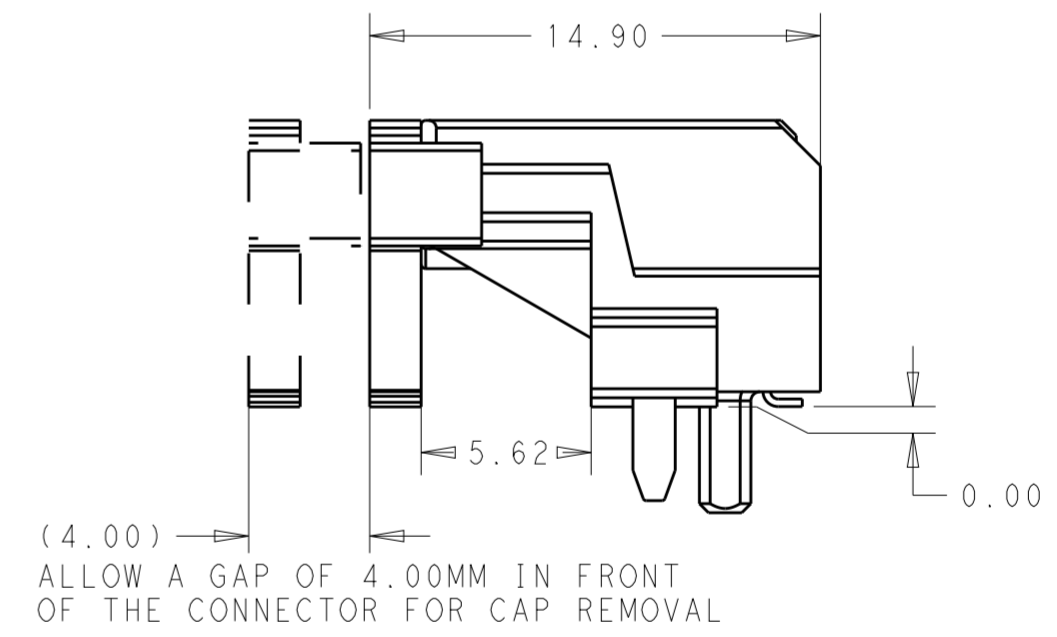
THIS DRAWING IS A CONTROLLED DOCUMENT.		DWN TIM XUE 14SEP2016	TE Connectivity	
DIMENSIONS:		CHK SEAN HAN 14SEP2016		
mm	TOLERANCES UNLESS OTHERWISE SPECIFIED:	APVD SEAN HAN 14SEP2016	NAME SAS/PCIe, RECEPTACLE SMT, RIGHT ANGLE TYPE	
	0 PLC ± 1 PLC ±0.25 2 PLC ±0.20 3 PLC ±0.20 4 PLC ± ANGLES ±3° FINISH -	PRODUCT SPEC -	SIZE A2	RESTRICTED TO -
MATERIAL -	-	APPLICATION SPEC -	CAGE CODE C-2309567	SCALE 1:1
CUSTOMER DRAWING		WEIGHT -	DRAWING NO C-2309567	SHEET 2 OF 4
				REV C

THIS DRAWING IS UNPUBLISHED. RELEASED FOR PUBLICATION
 © COPYRIGHT copyright.d8Te- ALL RIGHTS RESERVED.

REVISIONS				
P	LTR	DESCRIPTION	DATE	APVD
-		SEE SHEET 1	-	-



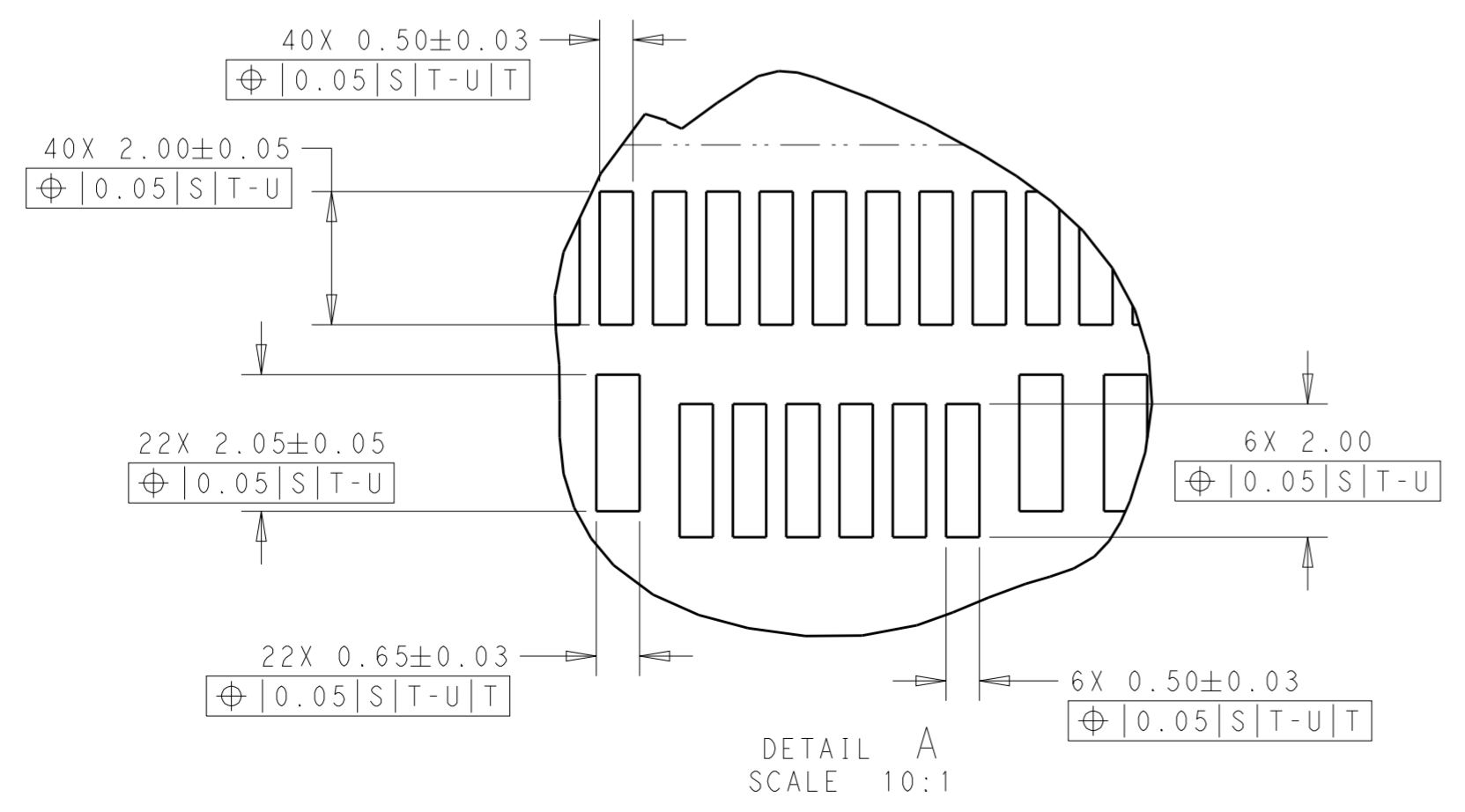
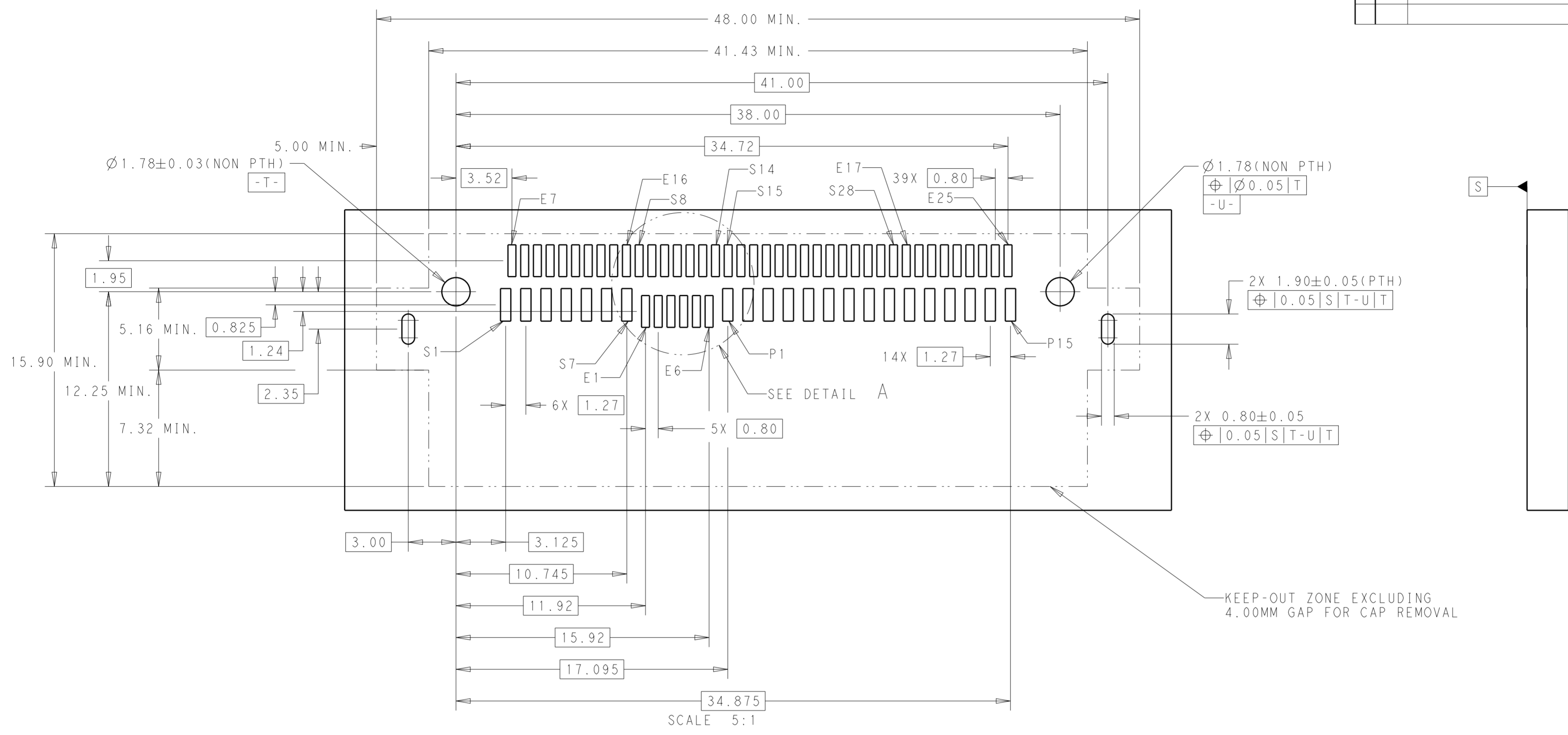
CONNECTOR OUTLINE WITH CAP
 SCALE 4:1



THIS DRAWING IS A CONTROLLED DOCUMENT.		DWN TIM XUE 14SEP2016	TE Connectivity	
DIMENSIONS:		CHK SEAN HAN 14SEP2016		
mm	TOLERANCES UNLESS OTHERWISE SPECIFIED:	APVD SEAN HAN 14SEP2016	NAME SAS/PCIe, RECEPTACLE SMT, RIGHT ANGLE TYPE	
	0 PLC ± 1 PLC ±0.25 2 PLC ±0.20 3 PLC ±0.20 4 PLC ± ANGLES ±3° FINISH -	PRODUCT SPEC -	SIZE A2	RESTRICTED TO -
MATERIAL -		APPLICATION SPEC -	CAGE CODE C-2309567	
		WEIGHT -	DRAWING NO C-2309567	
		CUSTOMER DRAWING	SCALE 1:1	SHEET 3 OF 4 REV C

THIS DRAWING IS UNPUBLISHED. RELEASED FOR PUBLICATION
 © COPYRIGHT copyright.d8Te- ALL RIGHTS RESERVED.

REVISIONS				
P	LTR	DESCRIPTION	DATE	APVD
-	-	SEE SHEET 1	-	-



THIS DRAWING IS A CONTROLLED DOCUMENT.		DWN TIM XUE 14SEP2016	 TE Connectivity
DIMENSIONS: mm		CHK SEAN HAN 14SEP2016	
TOLERANCES UNLESS OTHERWISE SPECIFIED:		APVD SEAN HAN 14SEP2016	
0 PLC ± 1 PLC ±0.25 2 PLC ±0.20 3 PLC ±0.20 4 PLC ± ANGLES ±3° FINISH -		NAME SAS/PCIe, RECEPTACLE SMT, RIGHT ANGLE TYPE PRODUCT SPEC - APPLICATION SPEC - WEIGHT - CUSTOMER DRAWING	
MATERIAL -		SIZE A2	CAGE CODE C-2309567 DRAWING NO C-2309567 RESTRICTED TO - SCALE 1:1 SHEET 4 OF 4 REV C

单击下面可查看定价，库存，交付和生命周期等信息

[>>TE Connectivity\(泰科\)](#)