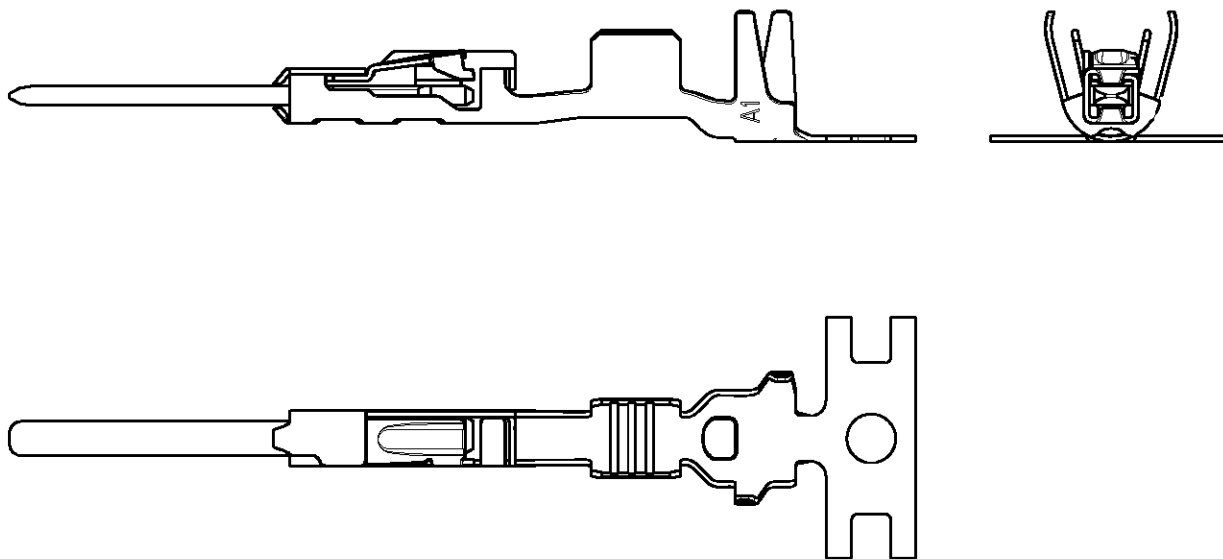


LOC	DIST	REVISIONS				
P	LTR	DESCRIPTION	DATE	DWN	APVD	
A1	-					
	A1	NEW DRAWING	23MAR07	R.M.	-	



REFER TO PRODUCT GROUP DRAWING 1418754
FOR LATEST INFORMATION ON THE PART


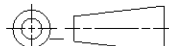
Für aktuelle Information zum Teil wird auf die
Produkt - Gruppenzeichnung 1418754 hingewiesen

2001

RELEASED FOR PUBLICATION

THIS DRAWING IS UNPUBLISHED.

© COPYRIGHT 2001 BY TYCO ELECTRONICS CORPORATION. ALL RIGHTS RESERVED.

DIMENSIONS: mm	DWN	23MAR07	MATERIAL	-	FINISH	-	
	CHK	23MAR07	 tyco Electronics AMP GmbH D - 64625 Bensheim				
TOLERANCES UNLESS OTHERWISE SPECIFIED:	R. Meier	APVD					-
0 PLC ±	PRODUCT SPEC	-	SIZE	A 4	CAGE CODE	00779	
1 PLC ±	-	-	DRAWING NO	C=1718762		RESTRICTED TO	
2 PLC ±	APPLICATION SPEC	-	CUSTOMER DRAWING			SCALE	4:1
3 PLC ±	-	-	WEIGHT	-	SHEET	1 OF 1	
4 PLC ±	-	-	REV			A1	
ANGLES ±	-	-					

单击下面可查看定价，库存，交付和生命周期等信息

[>>TE Connectivity\(泰科\)](#)