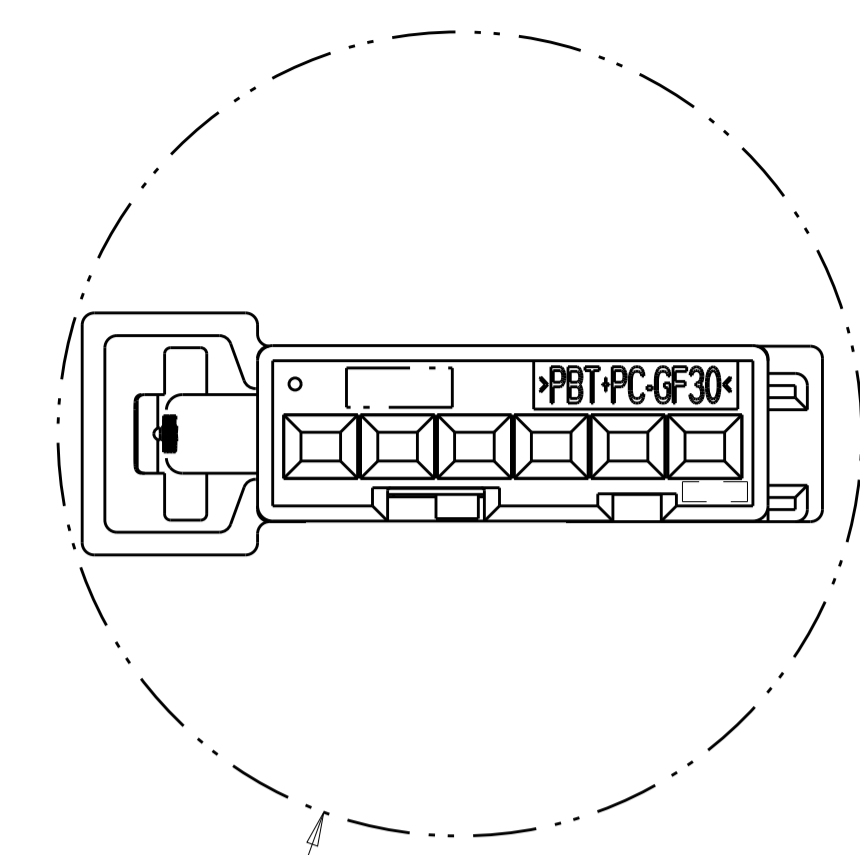
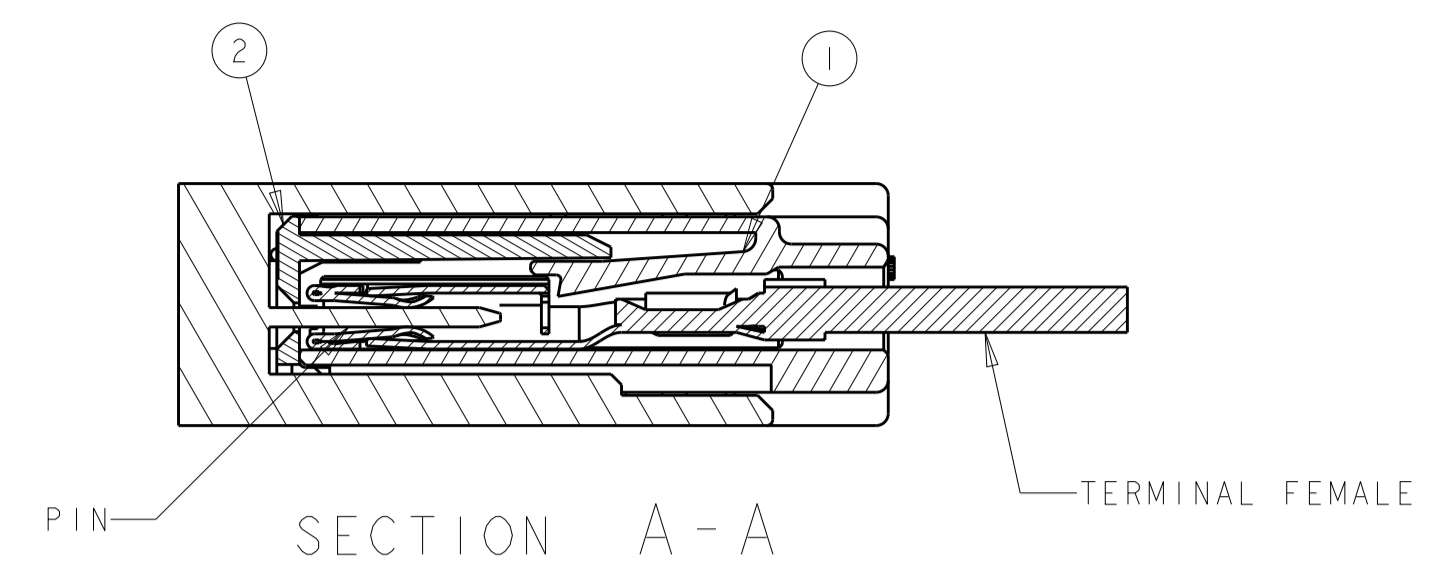
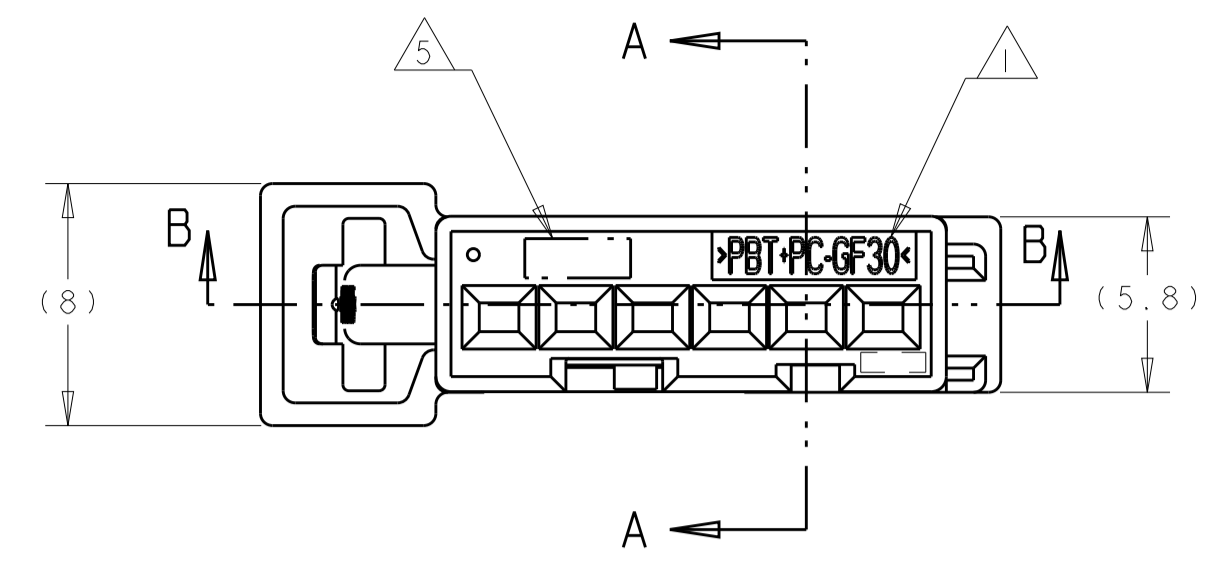
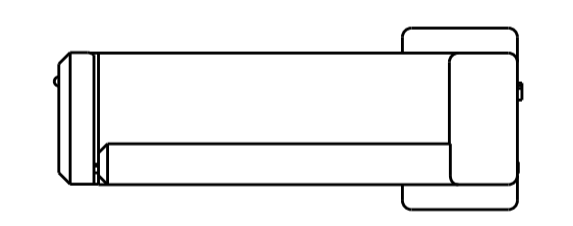
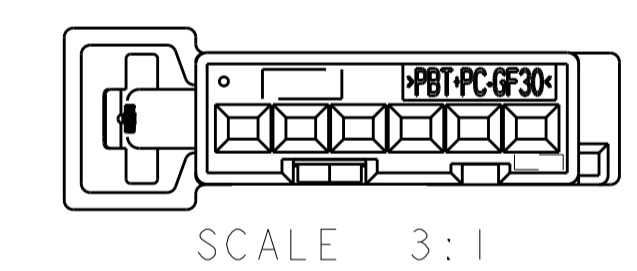
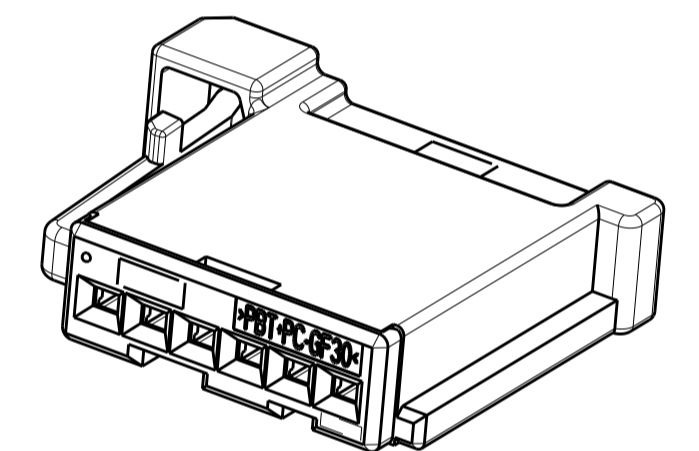
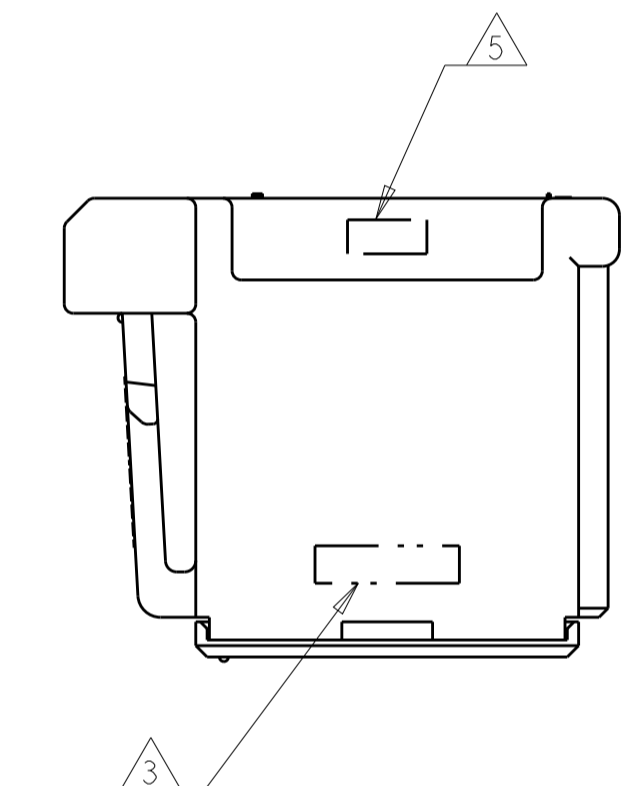
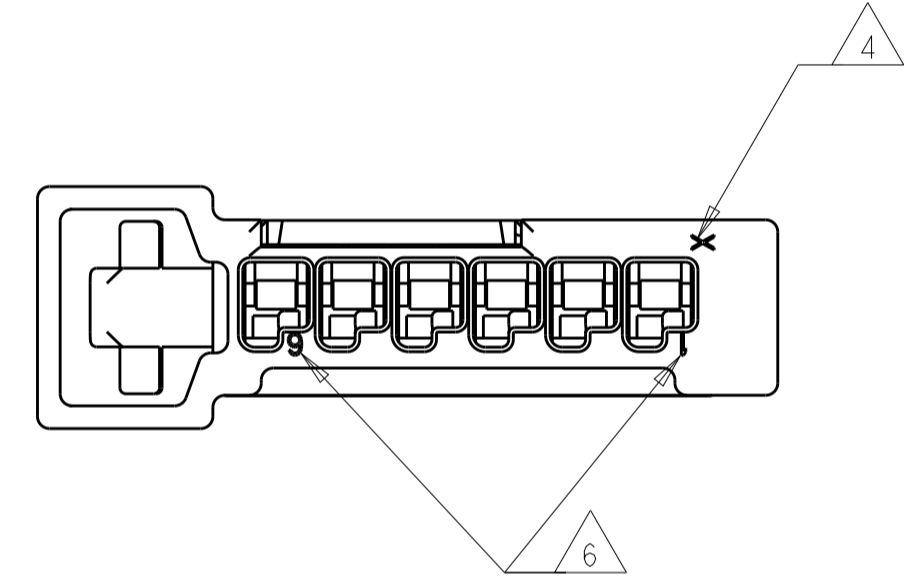
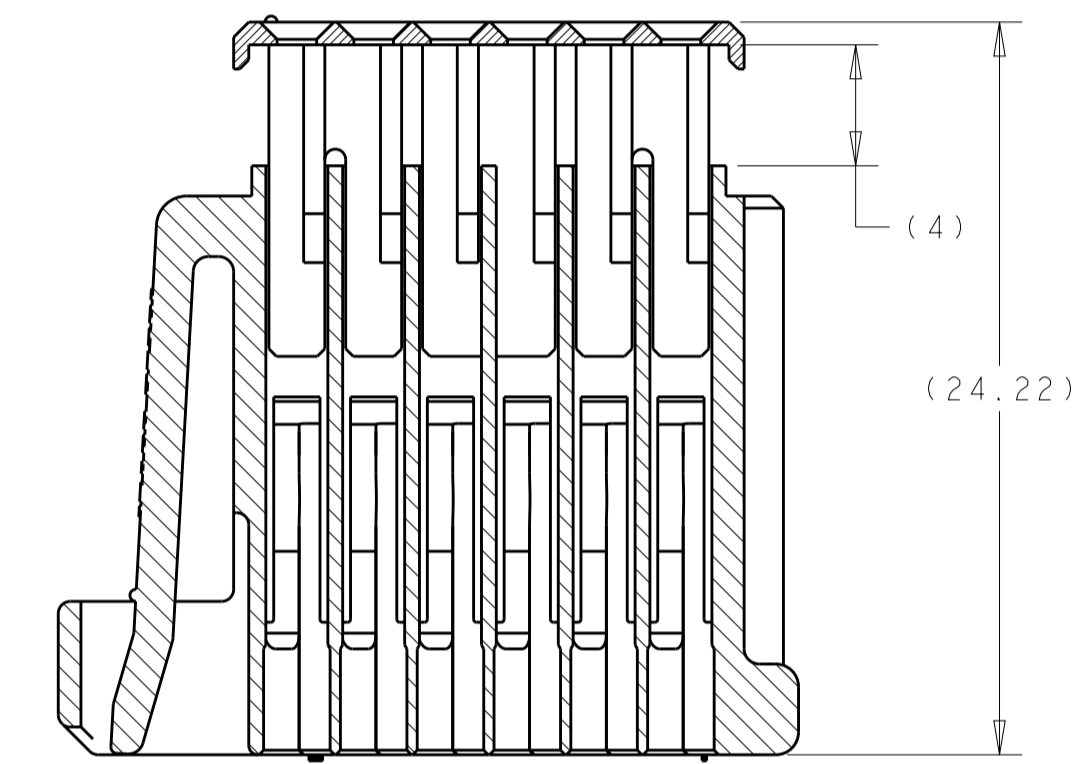
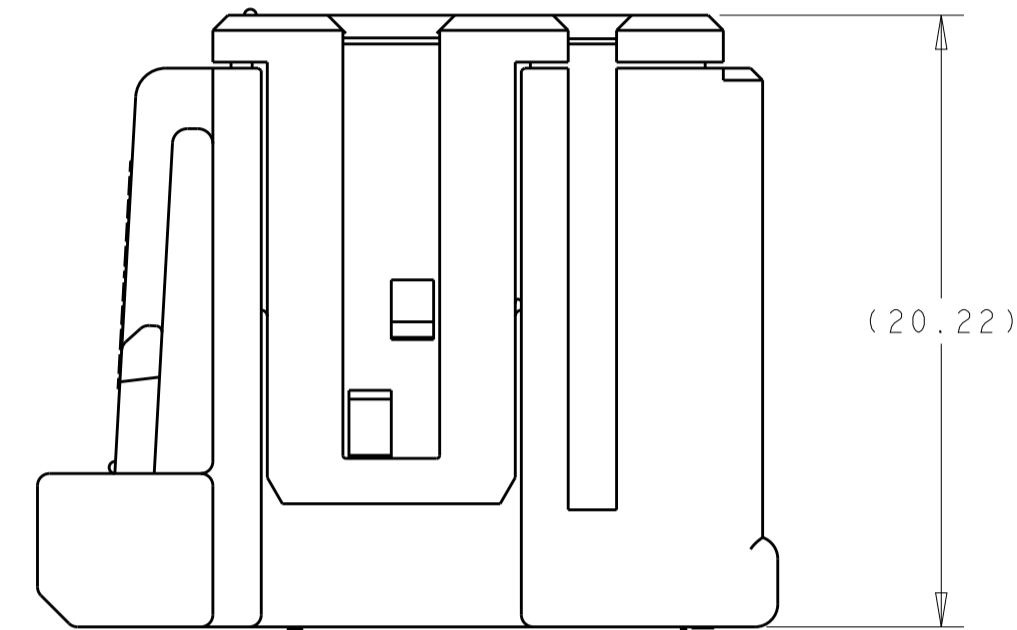
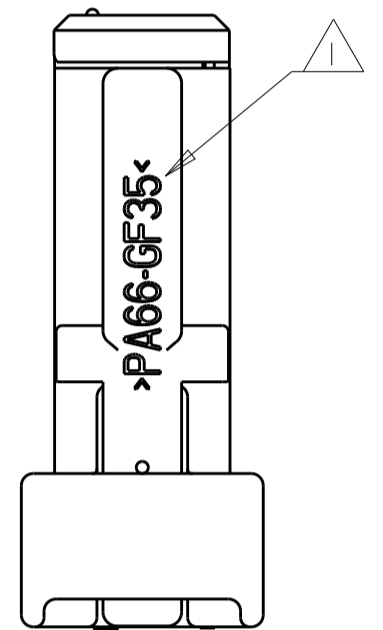


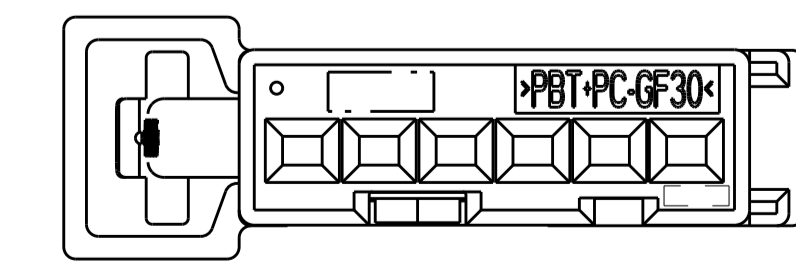
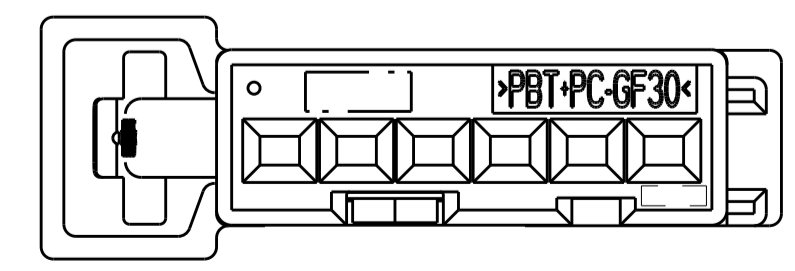
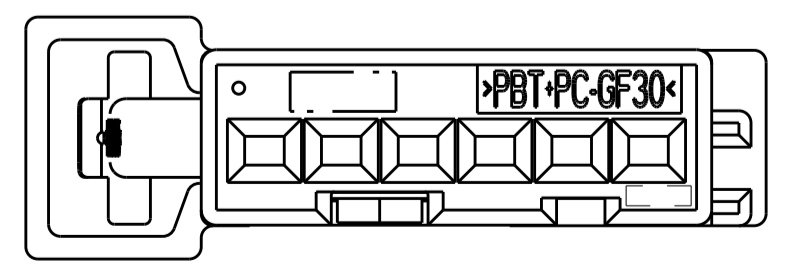
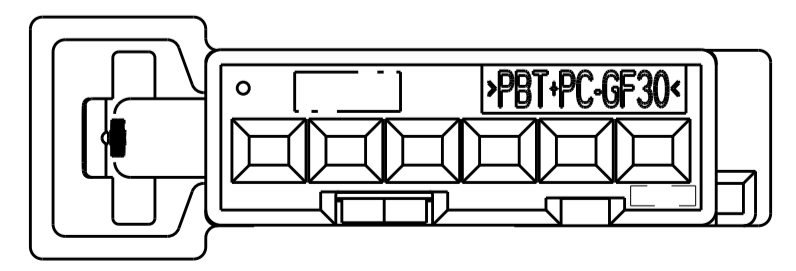
| REVISIONS | | | | |
|-----------|-----|----------------------------|-----------|----------|
| P. | LTN | DESCRIPTION | DATE | DWN APVD |
| A | | RELEASED PER ECO-14-010938 | 18JUL2014 | DD RL |
| A1 | | REVISED PER ECO-16-013871 | 21SEP2016 | DD RL |



- △ MATERIAL IDENTIFICATION SYMBOLS.
- 2. 0.2 mm MAXIMUM RADIUS PERMISSIBLE ON EDGES AND FILLETS SHOWN AS SHARP FOR PLASTIC PARTS.
- △ 3. PRODUCTION DATE CODE (YY-DDD-HH) AND ASSEMBLY PART NUMBER APPLIED IN APPROXIMATE LOCATION.
- △ 4. TOOL CAVITY NUMBER
- △ 5. COMPANY LOGO
- △ 6. TERMINAL CAVITY IDENTIFICATION NUMBER.
- 7. FOLLOW TE# 408-32134 FOR PROPER SPACER ENGAGEMENT.



KEYING OPTIONS



2272431-1

2272431-2

2272431-3

2272431-4

KEYING OPTION "A"

KEYING OPTION "B"

KEYING OPTION "C"

KEYING OPTION "D"

| QTY REQ'D PER ASSY | DESCRIPTION | MATERIAL | COLOR | ITEM |
|--------------------|----------------|---------------|-------|------|
| 1 | SPACER | >PBT+PC-GF30< | RED | 2 |
| 1 | HOUSING, KEY D | >PA66-GF35< | BLACK | 1 |
| 1 | HOUSING, KEY C | >PA66-GF35< | BLACK | 1 |
| 1 | HOUSING, KEY B | >PA66-GF35< | BLACK | 1 |
| 1 | HOUSING, KEY A | >PA66-GF35< | BLACK | 1 |

| | | | | | |
|--|--|----------------------------|--|--|--|
| THIS DRAWING IS A CONTROLLED DOCUMENT. | | DWN D. DRUMMOND 02APR2014 | | TE Connectivity NAME: PLUG ASSEMBLY, 1X6 UNSEALED, SIDE LATCH | |
| DIMENSIONS: mm | | CHK R. LACUESTA 02APR2014 | | | |
| TOLERANCES UNLESS OTHERWISE SPECIFIED: | | APVD R. LACUESTA 02APR2014 | | SIZE: CAGE CODE: DRAWING NO: RESTRICTED TO | |
| 0 PLC ±.1 | | PRODUCT SPEC | | A100779C=2272431 | |
| 1 PLC ±.15 | | APPLICATION SPEC | | SCALE: 4:1 SHEET 1 OF 1 REV A1 | |
| 2 PLC ±.2 | | MATERIAL | | CUSTOMER DRAWING | |
| 3 PLC ±.3 | | FINISH | | | |
| 4 PLC ±.4 | | | | | |
| ANGLES ±.5 | | | | | |

单击下面可查看定价，库存，交付和生命周期等信息

[>>TE Connectivity\(泰科\)](#)