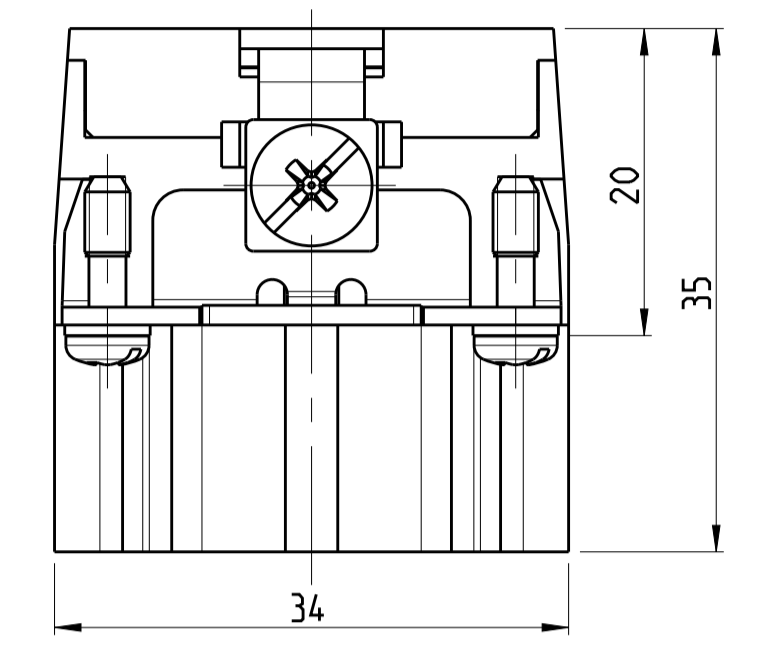
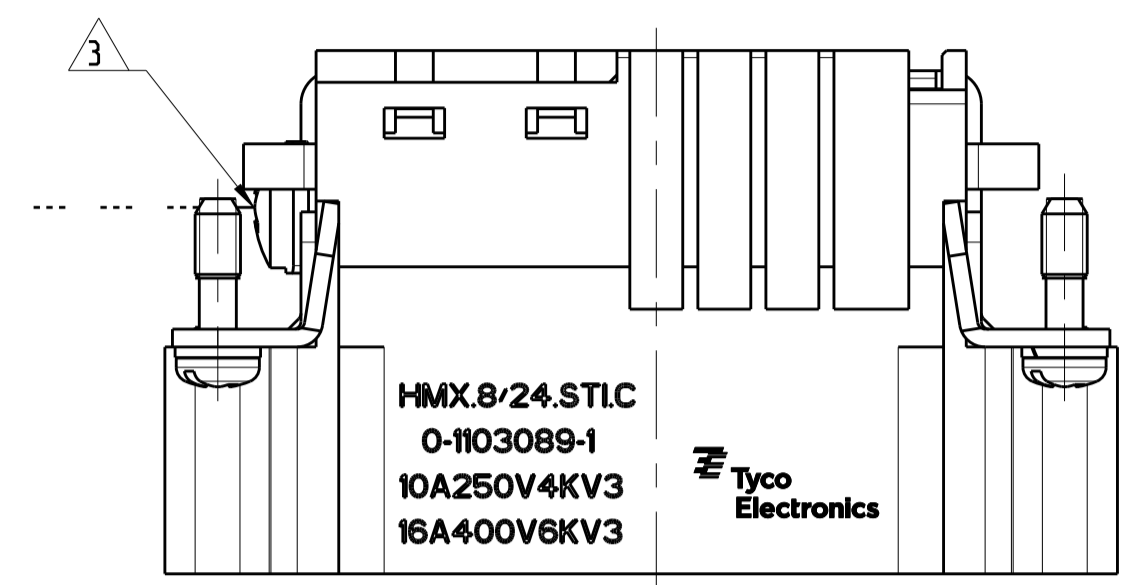
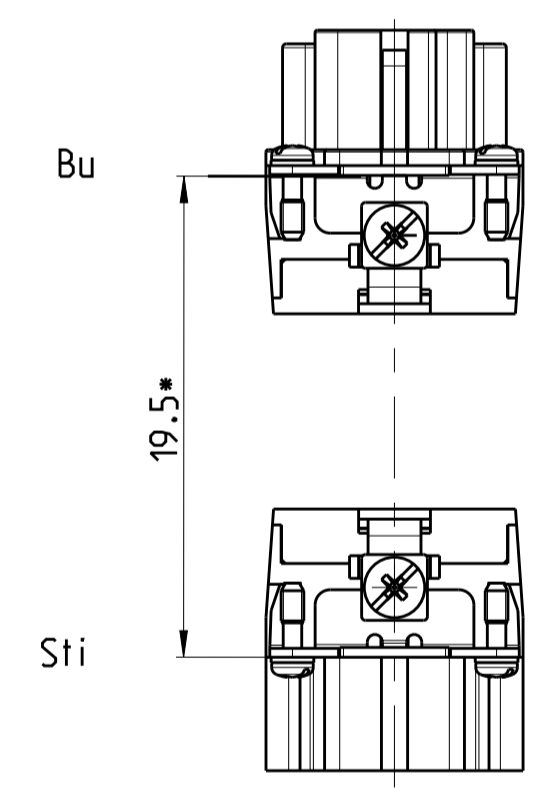
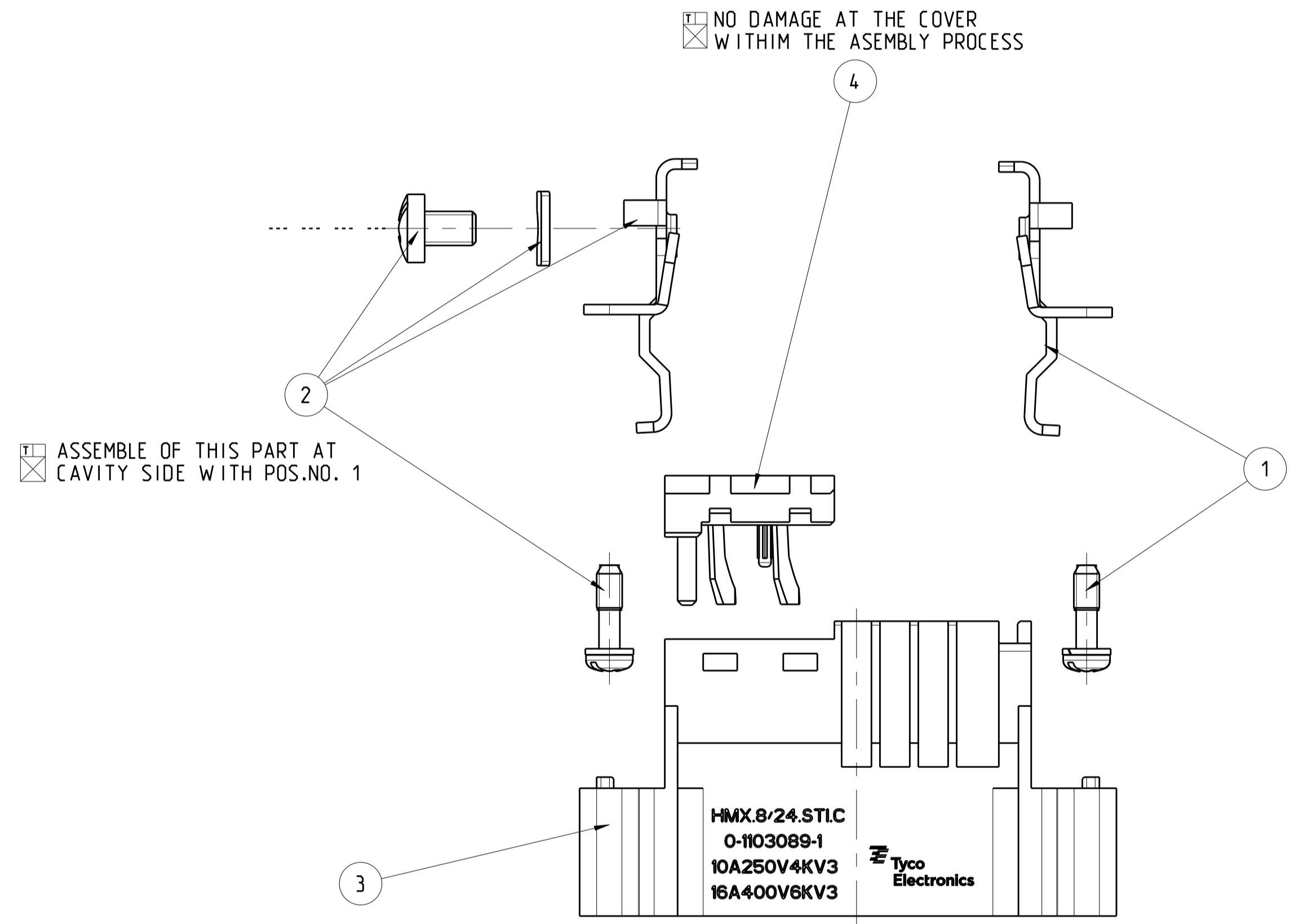
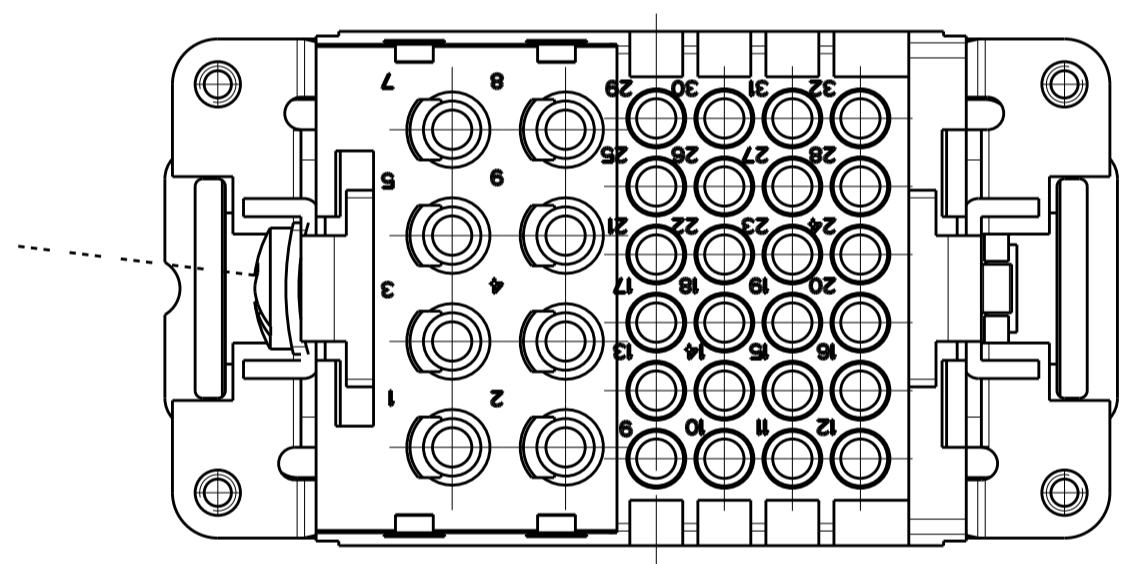


LOC	DIST	REVISIONS					
		P	LTR	DESCRIPTION	DATE	DWN	APVD
		C1		ECR-09-026756	08FEB2010	SR	EM
		C2		REVISED PER ECR-17-014051	04APR2018	NG	MKO



- NOTES
- POVER CONTACT : 1 TO 8
OUTER DIMENSIONS OF INSULATION: MAX. Ø4.9MM
 - SIGNAL CONTACT: 11 AND 32
OUTER DIMENSIONS OF INSULATION: MAX. Ø3.8MM
 - SUITABLE HOOD SIZE 6
SERIES HB, HD, EMV, AND HIP
 - GROUNDING CONTACT
 - STANDARDS:
DIN EN 61984; DIN EN 60664-1
 - PACKAGING:
10 PIECES IN A CARTON BOX

CONTACT ARRANGEMENT VIEW FROM CONNECTING SIDE



PANEL CUT-OUT FOR CONTACT INSERT WHEN USED WITHOUT HOUSING



SUPERSEDED BY T2100322101-000

QTY	DESCRIPTION	MATERIAL	SURFACE	ITEM
1	COVER	PBT-GF15		4
1	FEMALE INSERT	PBT-GF30		3
1	PROTECTION ANGLE CONTACT SOCKET WITH MOUNTING		ZINK PLATED	2
1	PROTECTION ANGLE CONTACT SOCKET		ZINK PLATED	1
0-1	HMX.8/24.Sti.C			

THIS DRAWING IS A CONTROLLED DOCUMENT. DWG: R.SCHNEIDER 08FEB2010, CHE: T.SCHNURPEIL 08FEB2010, APVD: -

STE TE Connectivity

NAME: MALE INSERT ASSY HMX.8/24.STI.C

SIZE: A1, CAGE CODE: 00779, DRAWING NO: C=1103089, RESTRICTED TO: -

MATERIAL: -, DIMENSIONS: mm, TOLERANCES UNLESS OTHERWISE SPECIFIED: 0 PLC ±, 1 PLC ±, 2 PLC ±, 3 PLC ±, 4 PLC ±, ANGLES ±, FINISH ±.

CUSTOMER DRAWING, SCALE: 5:1, SHEET: 1 OF 1, REV: C2

单击下面可查看定价，库存，交付和生命周期等信息

[>>TE Connectivity\(泰科\)](#)