

THIS DRAWING IS UNPUBLISHED.

RELEASED FOR PUBLICATION - ,2016.

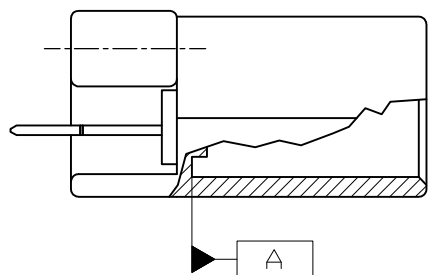
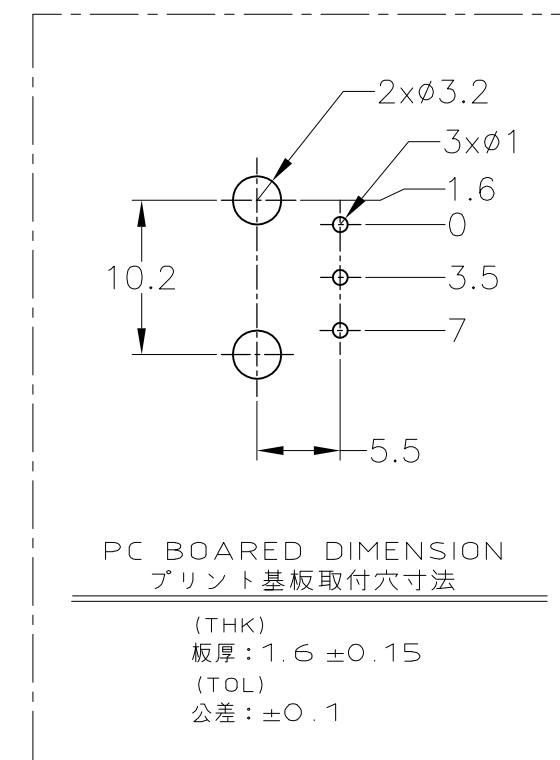
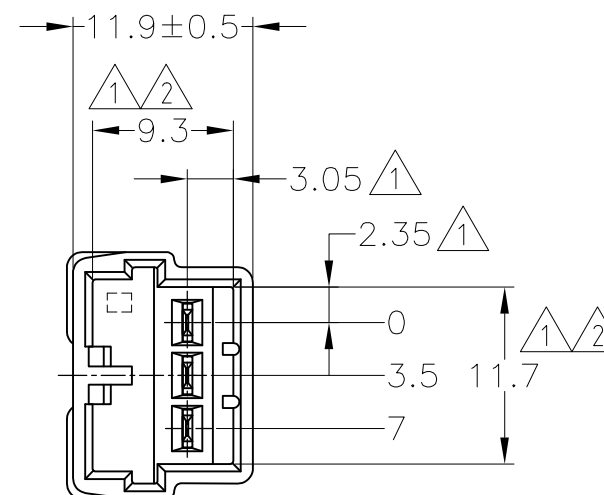
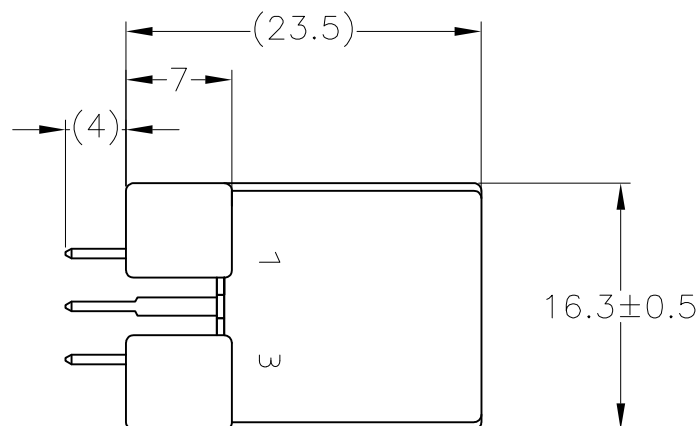
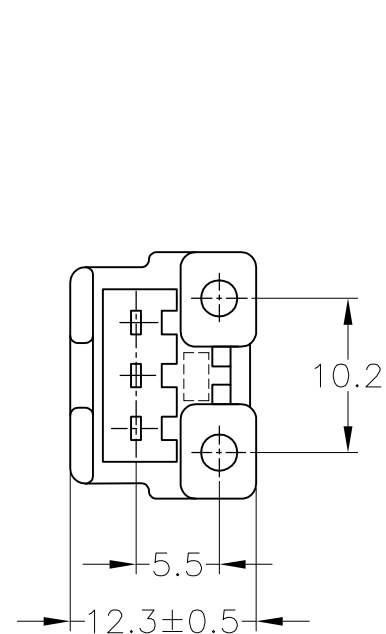
REVISIONS

変更

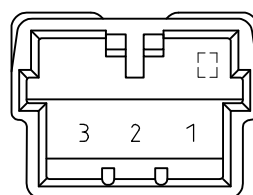
© COPYRIGHT 2016 Tyco Electronics Japan G.K.

ALL RIGHTS RESERVED.

P	LTR	DESCRIPTION	DATE	DWN	APVD
	G5	REVISED	ECR-16-003276	05SEP2016	KF HY



- ① TO BE MEASURED BETWEEN [A] AND 2
- ② TO BE MATED WITH PLUG HSG SMOOTHLY
- 3 TO BE USE M3 TAPPING SCREW JIS B1115 OR 1122 (TYPE2 OR 4) BEFORE SOLDER (TIGHTENING TORQUE; 0.8N-m MAX.)
- 4 APPLIED PLUG HSG P/N ; 174921
- ⑤ CIRCUIT NUMBER;



- ① [A] 面から2mmの範囲で測定
- ② 相手ハウジングと所定の機能を満たして嵌合できること
- 3 プリント基板への取付けは JIS-B1115又は1122, M3×6ナベ (2種又は4種)のタッピングネジで締付けた後ハンダ付けする (締付トルク; 0.8N-m 以下)
- 4 嵌合相手ハウジング型番: 174921
- ⑤ 回路番号: 上図参照のこと

TOLERANCE UNLESS OTHERWISE SPECIFIED:	
一般公差	
0 < x ≤ 10	: ±0.2
10 < x ≤ 30	: ±0.25
30 < x ≤ 100	: ±0.3
ANGLE ; 角度	: ±3°

THIS DRAWING IS A CONTROLLED DOCUMENT.

DIMENSIONS:	TOLERANCES UNLESS OTHERWISE SPECIFIED:
mm	
	0 PLC ± -
	1 PLC ± -
	2 PLC ± -
	3 PLC ± -
	4 PLC ± -
ANGLES	± -
MATERIAL	FINISH
PBT 黄銅 (BRASS)	SEE TABLE

SELECTIVE TIN (MATTE)	SELECTIVE GOLD x 3	1~3	NATURAL 自然色	3-5174953-1
SELECTIVE-TIN	PRE-TIN x 3	-	NATURAL 自然色	4-174953-1
TIN-LEAD	SELECTIVE GOLD x 1	2	NATURAL 自然色	2-174953-1
	PRE-TIN x 2	-	NATURAL 自然色	1-174953-1
	PRE-TIN x 3	-	NATURAL 自然色	174953-3
SELECTIVE TIN (MATTE)	SELECTIVE-TIN x 3 (BRIGHT)	-	NATURAL 自然色	174953-3
	PRE-TIN x 3	-	BLACK 黒色	174953-2
SOLDERING SIDE 半田付け部	CONTACT SIDE 接触部側		GOLD PLATED CIRCUIT NO. 金めっき回路番号	COLOR 色
	CONTACT FINISH コンタクト仕上			PART NUMBER 製品型番

THIS DRAWING IS A CONTROLLED DOCUMENT.

DWN A. YAMAGUCHI 17APR01
 CHK M. TSUKAKOSHI 17APR01
 APVD M. TSUKAKOSHI 17APR01

STE TE Connectivity

NAME .070 SRS MLC 3POSITION CAP HOUSING(W-B V-TYPE) ASSEMBLY

PRODUCT SPEC 108-5216

APPLICATION SPEC

SIZE A3 CAGE CODE 00779 DRAWING NO C-174953 RESTRICTED TO

WEIGHT 3g

CUSTOMER DRAWING SCALE 2:1 SHEET 1 OF 1 REV G5

单击下面可查看定价，库存，交付和生命周期等信息

[>>TE Connectivity\(泰科\)](#)