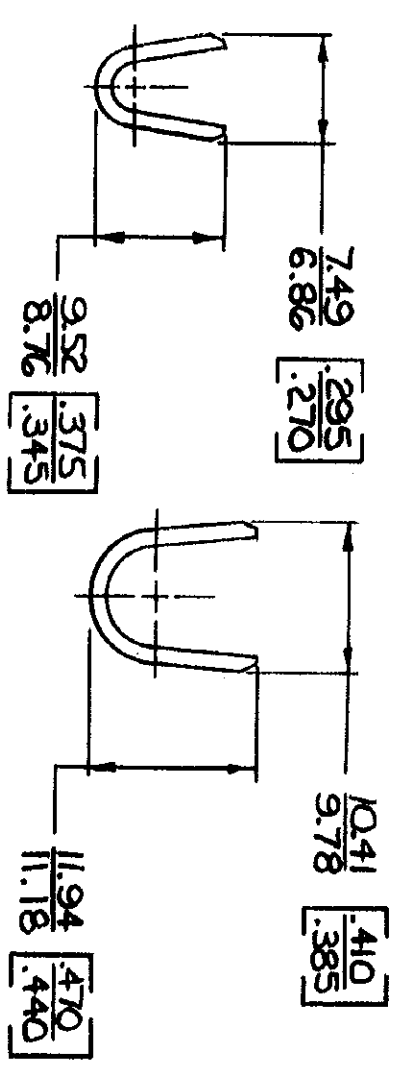
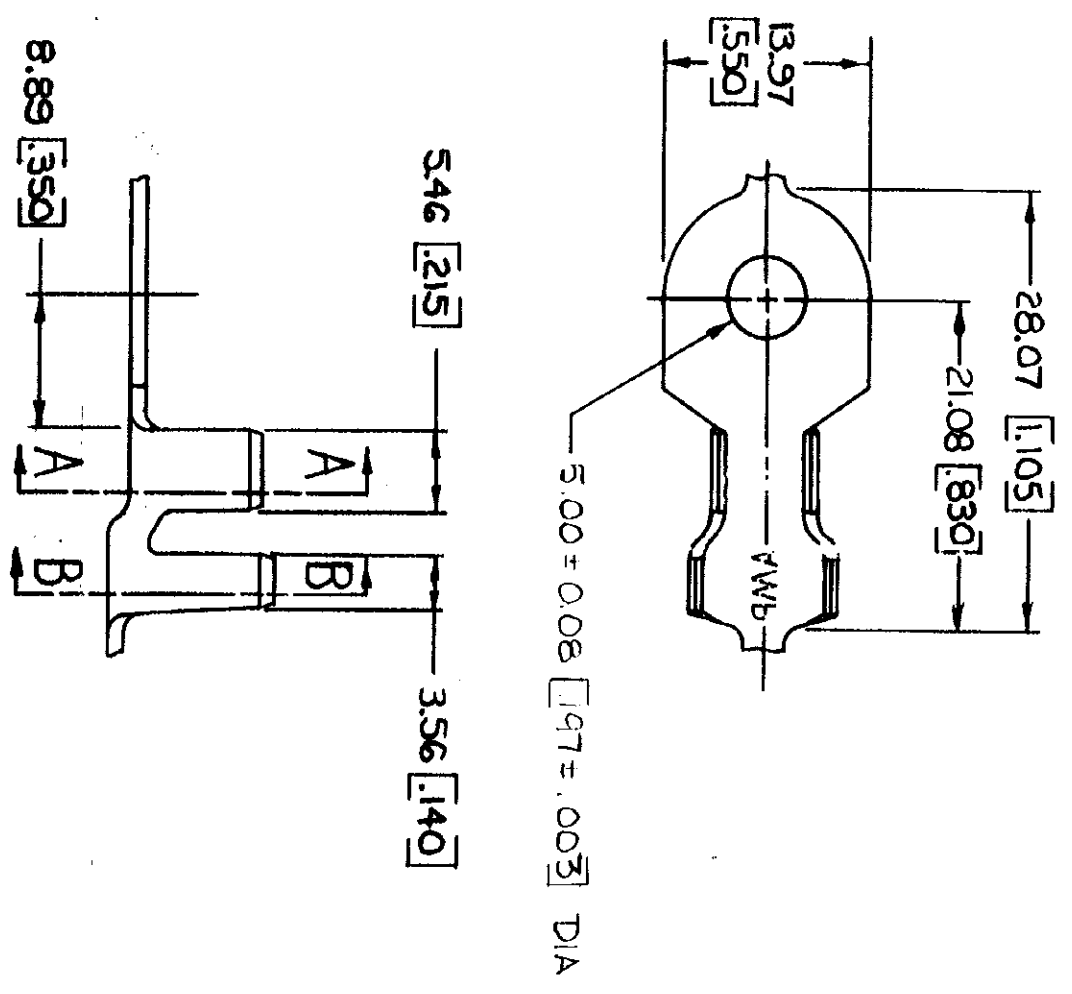


© COPYRIGHT 1964 BY AMP INCORPORATED, HARRISBURG, PA.
 ALL INTERNATIONAL RIGHTS RESERVED. AMP INCORPORATED PRODUCTS.
 COVERED BY U. S. AND FOREIGN PATENTS AND/OR PATENTS PENDING.



1. CONTINUOUS STRIP ON REELS.
 2. DIMENSIONS IN BRACKETS ARE IN INCHES.

METRIC

P		F		Z		L		R		D	
ZONE	LTR	DESCRIPTION	DATE	APPROVED	DATE	APPROVED	DATE	APPROVED	DATE	APPROVED	DATE
		REDRAWN & REVISED	8-31-78		8/21/78	DC					SS

STUD SIZE	INSULATION RANGE	WIRE RANGE	FINISH	MATERIAL	PART NO
#10	5.59 - 8.00 [220 - .315]	5.0 - 8.5 mm ² [10 - 8]	TIN	1.27 [050] COPPER	41808

UNLESS OTHERWISE SPECIFIED DIMENSIONS ARE IN DECIMALS ±.005 ANGLES ±1.0°		CONTRACT NO		NAME	
MATERIAL		DR Donald Wood 4/21/78		AMP INCORPORATED Harrisburg, Pa.	
SEE TABLE		CHK J. J. Hoffmann 7/19/78		RING	
FINISH		APPROVED 8-1-78		CODE IDENT NO 00779	
SEE TABLE		APPROVED 8-1-78		DRAWING NO 41808	
		DSGN APPD 8-1-78		SCALE 1:1	
		OTHER APPD		SHEET	

CUSTOMER DRAWING

单击下面可查看定价，库存，交付和生命周期等信息

[>>TE Connectivity\(泰科\)](#)