

4

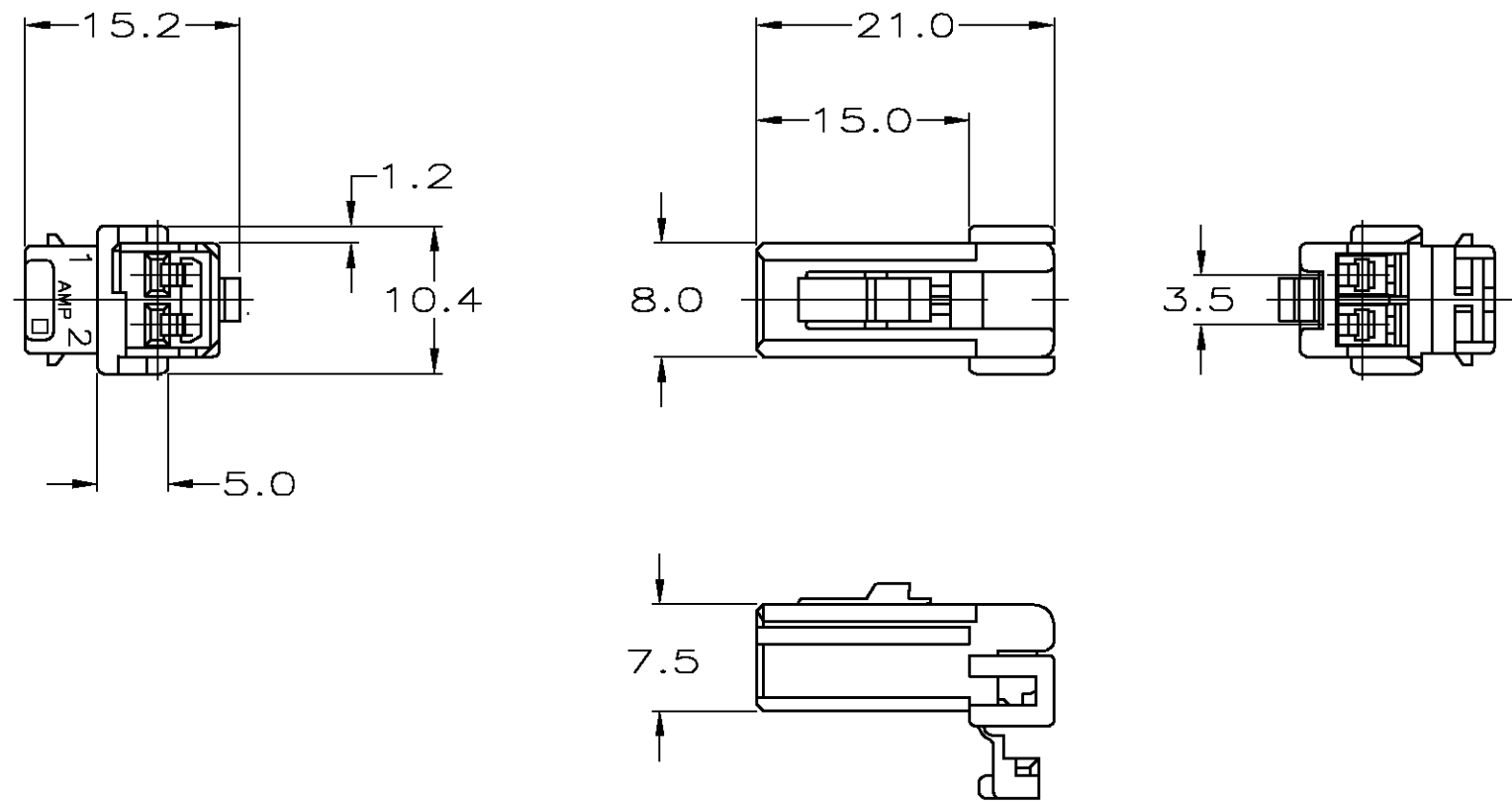
3

2

1

THIS DRAWING IS UNPUBLISHED. RELEASED FOR PUBLICATION
 © COPYRIGHT BY TYCO ELECTRONICS CORPORATION. ALL RIGHTS RESERVED.

| LOC | DIST | REVISIONS | | | | | |
|-----|------|-----------|-----|---------------------------|---------|-----|------|
| FX | 55 | P | LTR | DESCRIPTION | DATE | DWN | APVD |
| | | | D | REDRAWN - EC 0K80-0003-03 | 05FEB03 | JRB | SSA |



1. MATES TO MOLDED-IN INTERFACE DEVICE.
2. APPLIED CONTACT PART NUMBER 173631.

| | |
|-------|-------------|
| BLACK | 776127-2 |
| COLOR | PART NUMBER |

| | | | | | |
|---|--|------------------|-----------|---|---|
| THIS DRAWING IS A CONTROLLED DOCUMENT. | | DWN | P. YEAGER | 9-6-96 | Tyco Electronics Corporation Harrisburg, PA 17105-3608 |
| DIMENSIONS: MM | | CHK | R. GRAY | 9-6-96 | |
| | | APVD | R. GRAY | 9-6-96 | |
| TOLERANCES UNLESS OTHERWISE SPECIFIED: | | PRODUCT SPEC | | NAME | |
| 0 PLC ± - 1 PLC ± 0.25 2 PLC ± 0.13 3 PLC ± - 4 PLC ± - ANGLES ± - | | APPLICATION SPEC | | PLUG HSG, 2 POSN, RIGHT KEYED .070 SERIES MULTI-LOCK | |
| MATERIAL PBT | | FINISH - | | WEIGHT - | SIZE A3 CAGE CODE 00779 DRAWING NO. 776127 |
| CUSTOMER DRAWING | | | | | RESTRICTED TO - |
| SCALE 2:1 | | | | | SHEET 1 OF 1 |
| | | | | | REV D |

单击下面可查看定价，库存，交付和生命周期等信息

[>>TE Connectivity\(泰科\)](#)