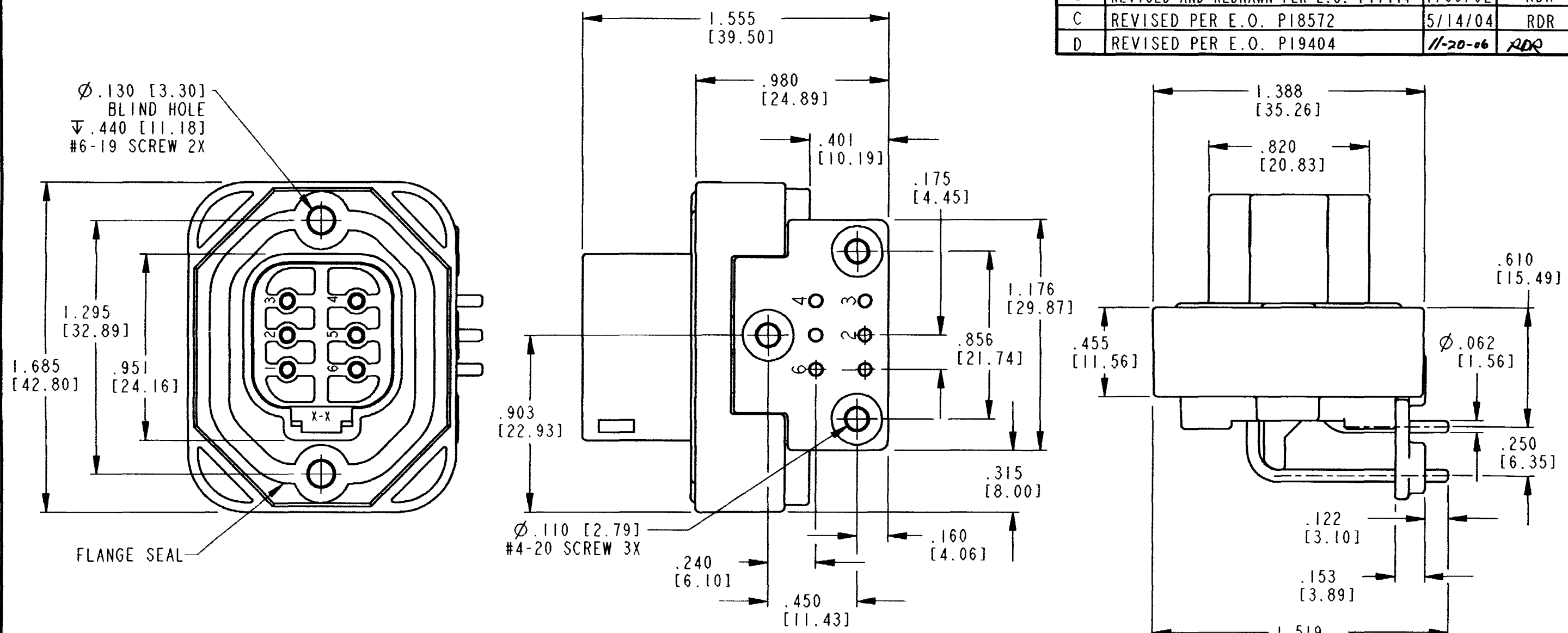


REV  
D DT13-6P

REVISIONS			
SYM	DESCRIPTION	DATE	APPROVED
A	REVISED PER E.O. P15470	11/20/97	RDR
B	REVISED AND REDRAWN PER E.O. P17444	1/09/02	RDR
C	REVISED PER E.O. P18572	5/14/04	RDR
D	REVISED PER E.O. P19404	11-20-06	RDR



6. MOUNTING SCREW TORQUE VALUES ARE AS FOLLOWS:  
 #6-19 SCREWS:  $13 \pm 2.0$  IN-LB [ $1.47 \pm 0.23$  N-M].  
 #4-20 SCREWS:  $8 \pm 2.0$  IN-LB [ $.90 \pm 0.23$  N-M].  
 VALUES VALID FOR PLASTITE 48 SCREWS ONLY.
5. RECOMMENDED MOUNTING SCREWS (NOT INCLUDED): CAMCAR PLASTITE 48.
4. THIS RECEPTACLE MATES WITH DT06-6S-\*\*\*\* PLUG (\*\*\*\* = ALL MODIFICATIONS.)
3. SHELL MATERIAL: PLASTIC; FLANGE MATERIAL: RUBBER.
2. DIMENSION TOLERANCE  $\pm .025$  [.64]. FOR PANEL CUTOUTS  $\pm .010$  [.25].

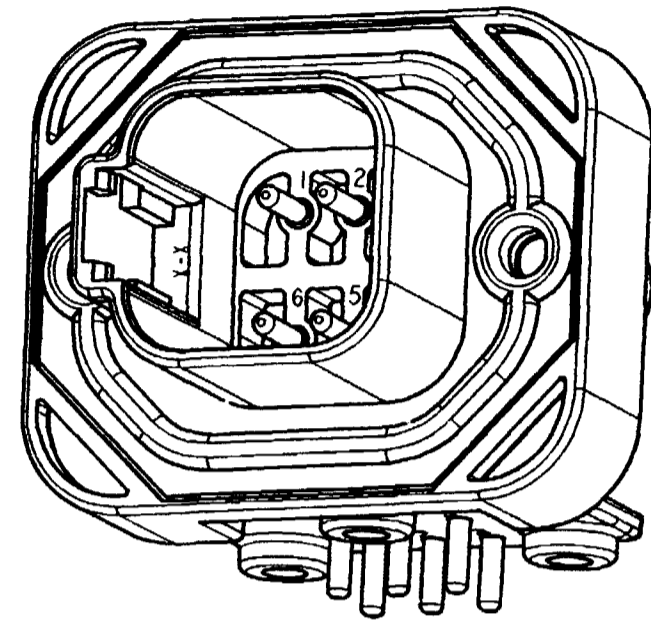
NOTES:  
 1. DIMENSIONS SHOWN IN INCHES [mm].

SIGNATURE & DATE	
DR	P. BURKE 01/04/02
CHK	<i>[Signature]</i> 11/20/06
PE	<i>[Signature]</i> 11/15/06
APPD	<i>[Signature]</i> 11-20-06
SCALE	NONE WT

**PCB MOUNT RECEPTACLE**  
**6 PIN - 90°**  
**DT SERIES**  
**COLOR: GRAY**

ENVELOPE

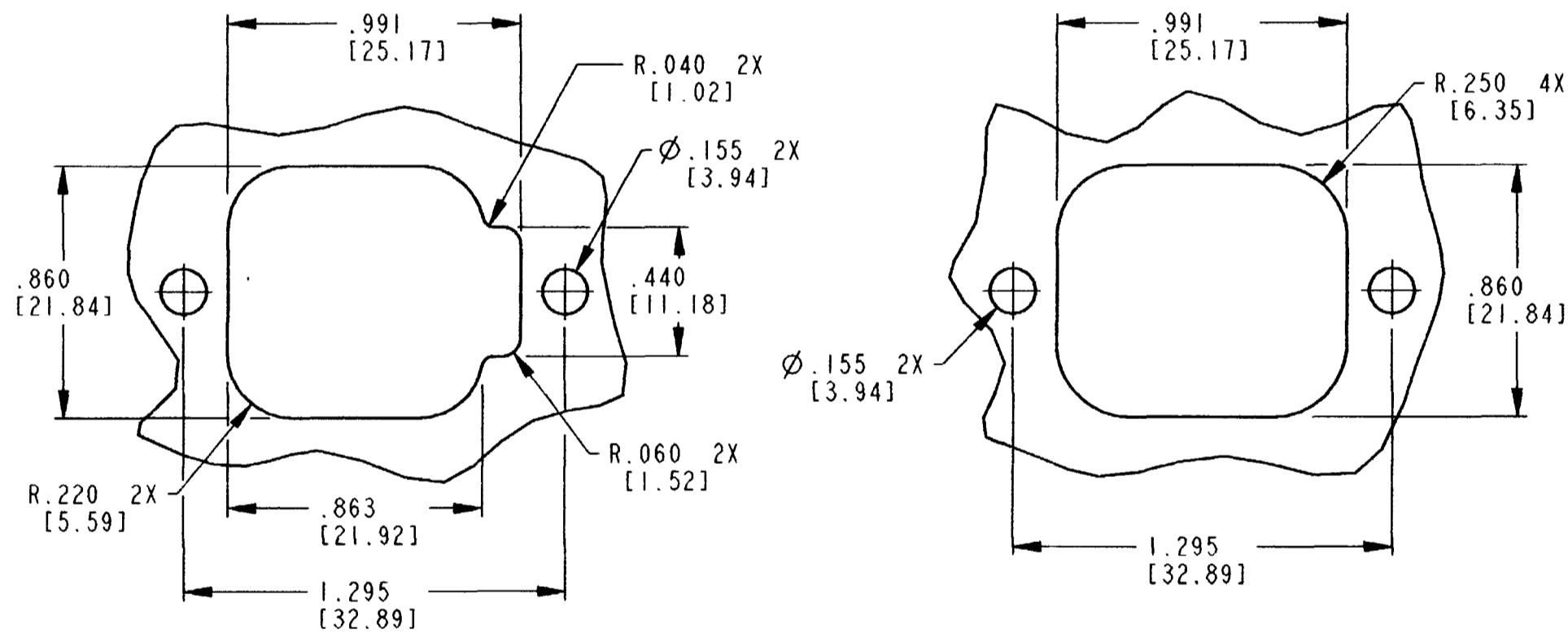
EP	MATL. CODE
The Deutch Company DEUTSCH I.P.D. 3850 INDUSTRIAL AVE. HEMET, CALIF. 92545	
<b>B</b>	<b>DT13-6P</b>
DWG SIZE	CODE 11139 SHEET 1 OF 2



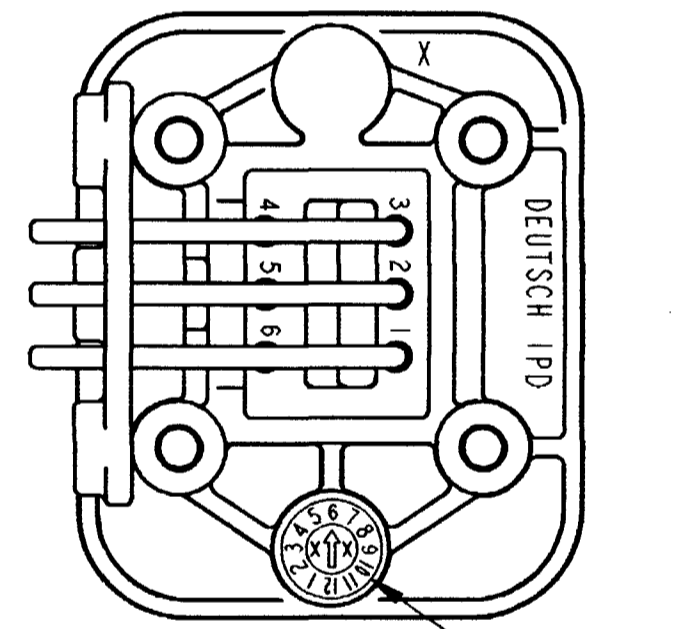
3D VIEW

REV  
D DT13-6P

REVISIONS			
SYM	DESCRIPTION	DATE	APPROVED
D	SEE SHEET ONE	11-20-06	RDR



RECOMMENDED PANEL CUTOUTS



DATE CODE

NOTES:

SIGNATURE & DATE	
DR	P. BURKE 1/04/02
CHK	<i>[Signature]</i> 11/17/05
PE	<i>[Signature]</i> 11-2-06
APPD	<i>[Signature]</i> 11-7-06
SCALE	NONE
WT	

PCB MOUNT RECEPTACLE  
6 PIN - 90°  
DT SERIES  
COLOR: GRAY

ENVELOPE

MATERIAL CODE	
EP	The Deutch Company DEUTSCH I.P.D. 3850 INDUSTRIAL AVE. HEMET, CALIF. 92545
<b>B</b>	<b>DT13-6P</b>
DWG SIZE	CODE 11139 SHEET 2 OF 2

单击下面可查看定价，库存，交付和生命周期等信息

[>>TE Connectivity\(泰科\)](#)