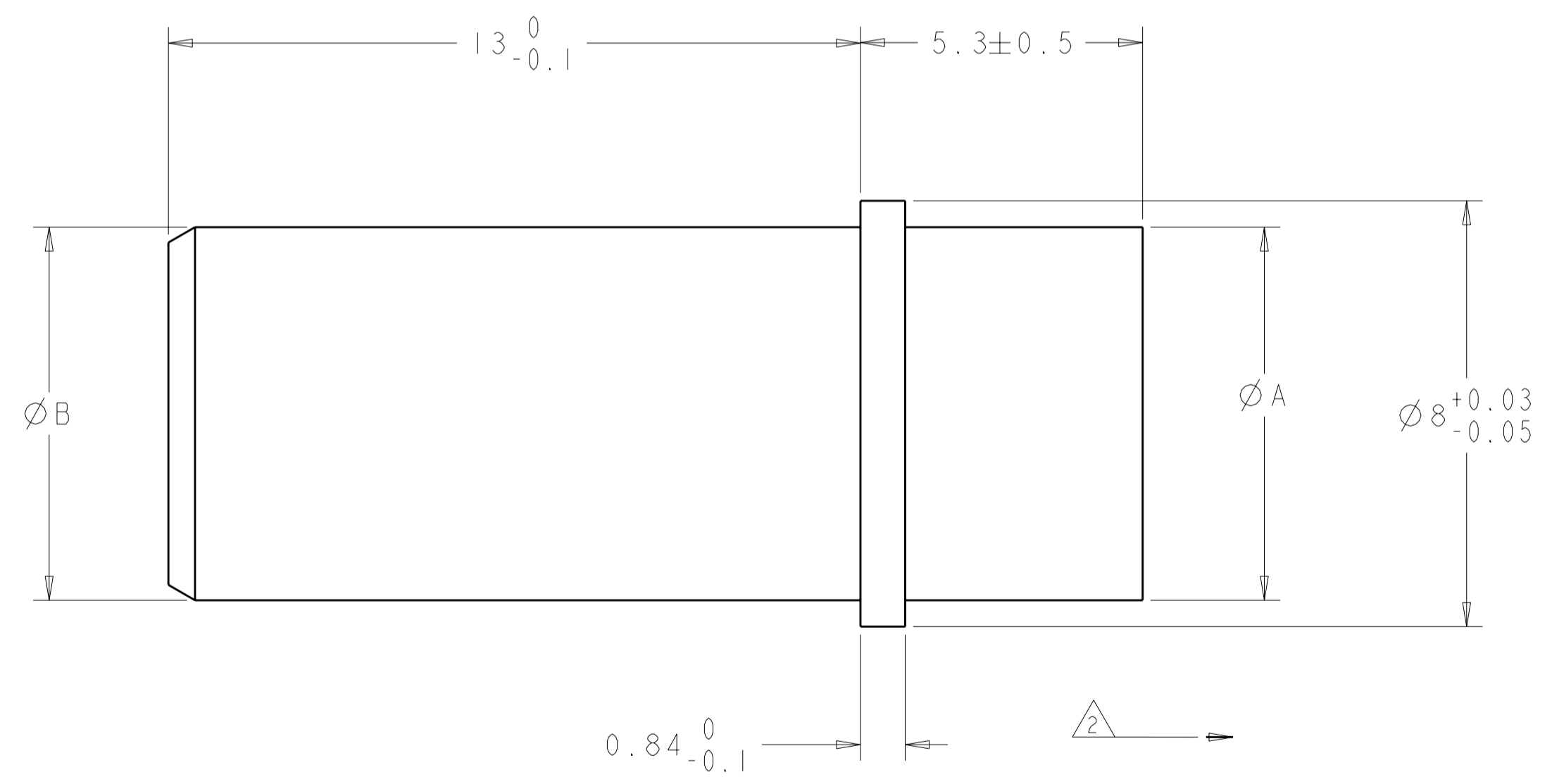
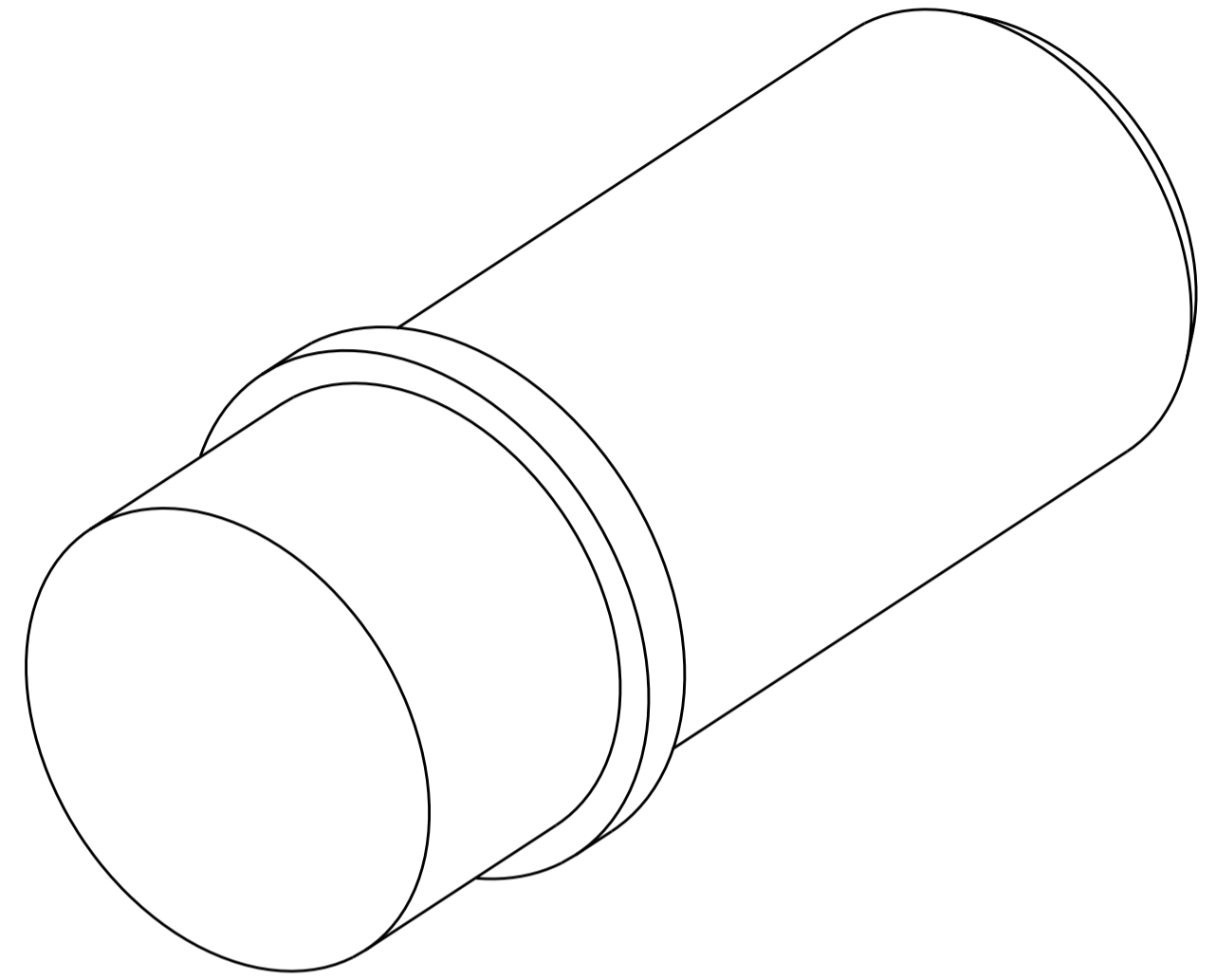


THIS DRAWING IS UNPUBLISHED. RELEASED FOR PUBLICATION
 © COPYRIGHT BY TYCO ELECTRONICS CORPORATION. ALL RIGHTS RESERVED.

LOC	DIST	REVISIONS			
P	LTR	DESCRIPTION	DATE	DWN	APVD
	D	REV PER ECO 10-003037	2-11-10	CT	KH

1 MAT'L: ULTEM 1000.
 2 FILLER PLUG IS FOR REAR RELEASE/REMOVE QUADRAX CAVITIES. INSTALLATION DIRECTION AS SHOWN.



6.93-7.01	4.90-5.00	1996636-2
6.93-7.01	6.93-7.01	1996636-1
DIM B	DIM A	PART NUMBER

THIS DRAWING IS A CONTROLLED DOCUMENT FOR TYCO ELECTRONICS CORPORATION. IT IS SUBJECT TO CHANGE AND THE CONTROLLING ENGINEERING ORGANIZATION SHOULD BE CONTACTED FOR THE LATEST REVISION.		DWN M.HERSHEY 15MAY2008	Tyco Electronics Harrisburg, PA 17105-3608	
DIMENSIONS: mm		CHK K.THACKSTON 5-15-08	NAME FILLER PLUG, RR/RR, SIZE 8, ARINC 600	
TOLERANCES UNLESS OTHERWISE SPECIFIED: 0 PLC ± 1 PLC ± 2 PLC ± 3 PLC ± 4 PLC ± ANGLES ± FINISH		APVD C.THOMAS 5-15-08	SIZE A200779	DRAWING NO C-1996636
MATERIAL 1		PRODUCT SPEC -	RESTRICTED TO -	
		APPLICATION SPEC -	SCALE 10:1	SHEET 1 OF 1
		WEIGHT -	CUSTOMER DRAWING	REV D

单击下面可查看定价，库存，交付和生命周期等信息

[>>TE Connectivity\(泰科\)](#)