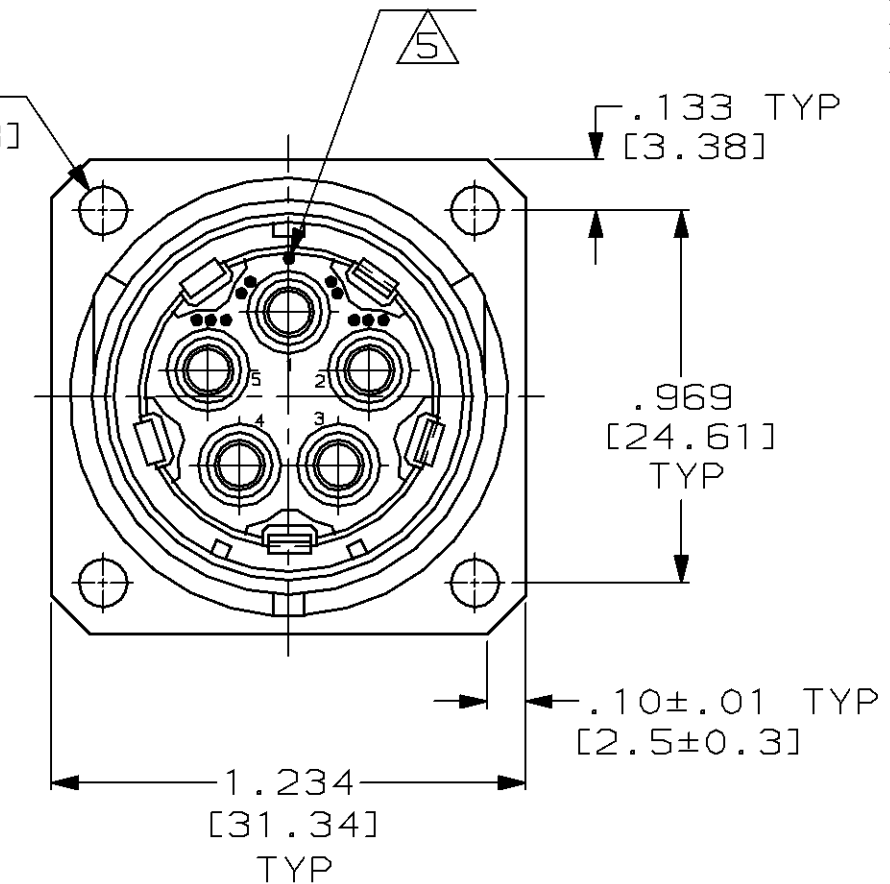
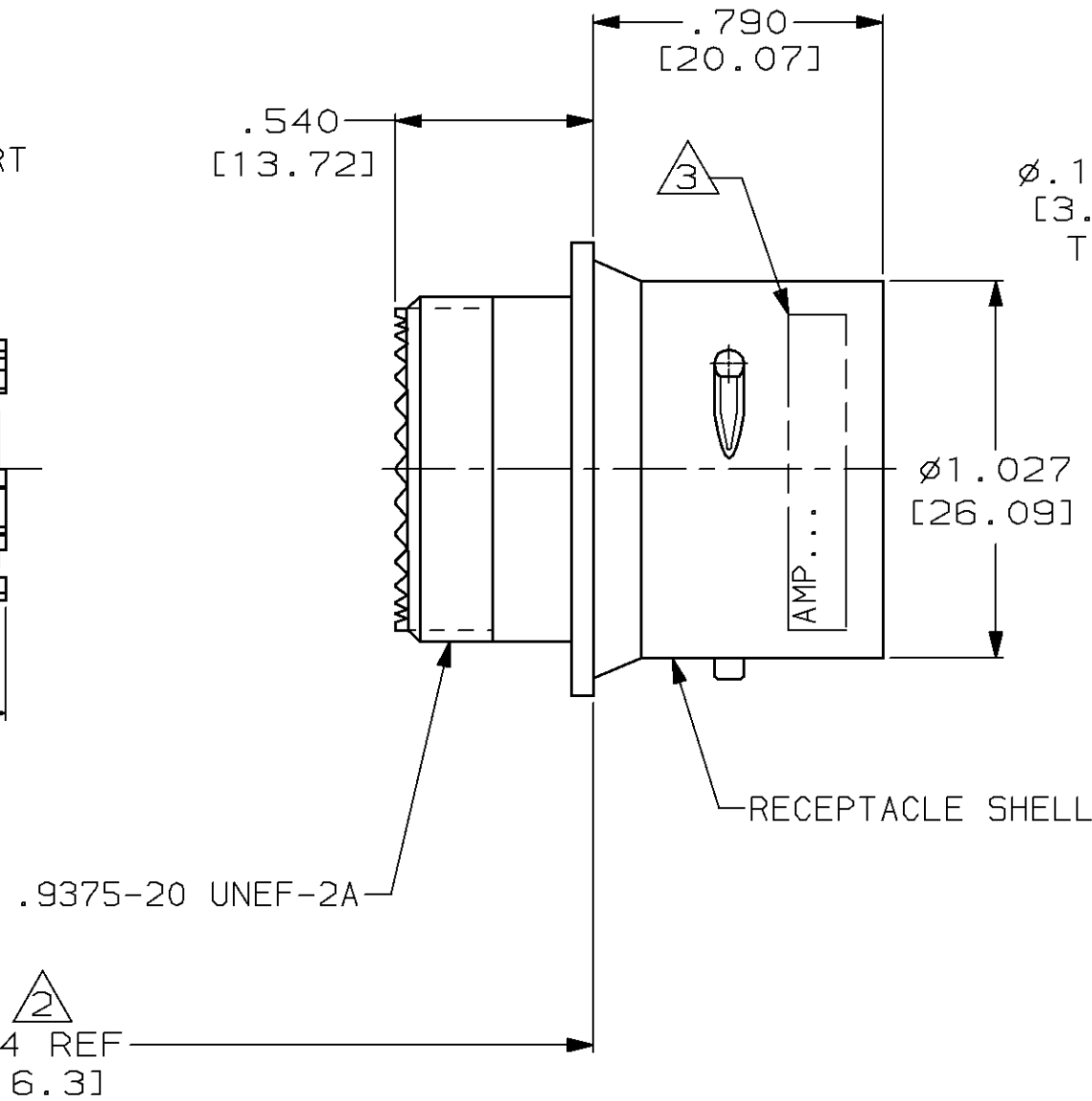
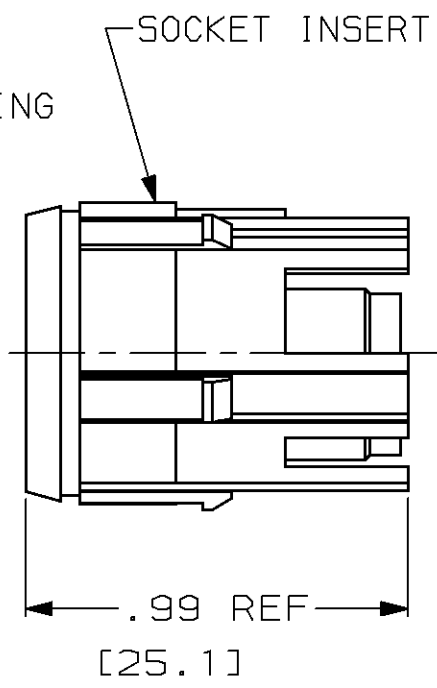
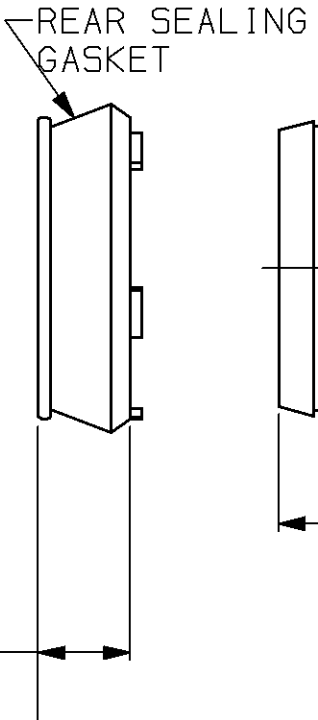
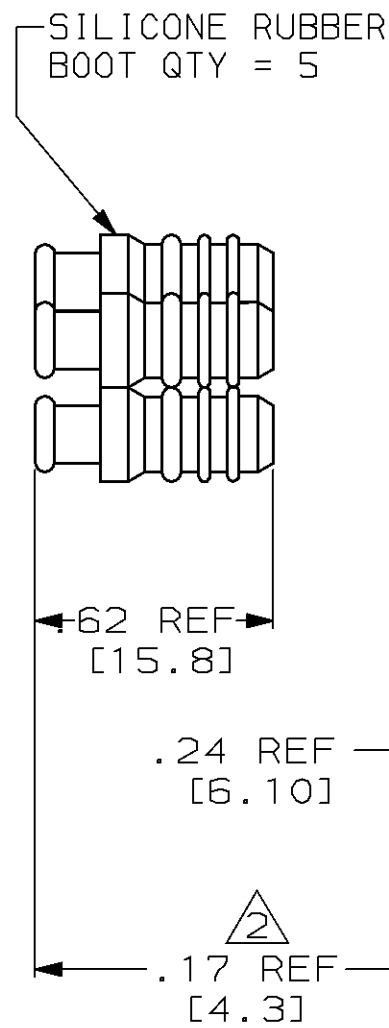
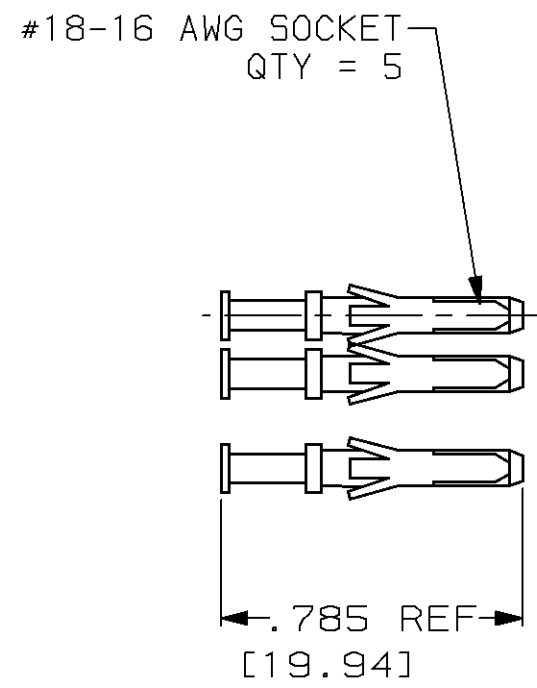


PROD 4081 CODE	LOC DF	DIST SO	P	F	REVISIONS					
					ZONE	LTR	DESCRIPTION	DATE	APPD	
					H		REV & REDRAWN; 0600-5874-96	CT	11-96	CS



- THIS RECEPTACLE REQUIRES A SIZE 16 MIL-C-38999F BACKSHELL OR EQUIVALENT STRAIN RELIEF.
- THE INDICATED DIMENSIONS APPLY AFTER ASSEMBLY. COMPLETE OVERALL DIMENSIONS AFTER ASSEMBLY DEPEND UPON THE SPECIFIC BACKSHELL OR STRAIN RELIEF USED.
- MARKED PER MIL-STD-130 USING BLACK INK. .09 [2.3] HIGH CHARS FOR -1 ONLY. .060 [1.52] HIGH CHARS FOR ALL OTHER DASH NUMBERS. SEE TABLE FOR SPECIAL MARKING.
- TO ASSEMBLE SEE INSTRUCTION SHEET #864886-4.
- SINGLE DOT POLARIZATION SHOWN FOR REFERENCE ONLY.

(00779/AMP,863754-4) DATE CODE	49956-848285-1B REV M	863754-4
(00779/AMP,863754-3) DATE CODE	49956-848285-1A REV M	863754-3
(00779/AMP,863754-2) DATE CODE	49956-848285-1 REV M	863754-2
(00779/AMP,863754-1) DATE CODE	-	863754-1
AMP INFO		CUSTOMER INFO
MARKING		PART NO.

DO NOT SCALE PRINT. UNLESS SPECIFIED DIMENSIONS IN INCHES [mm] TOLERANCES ON : 2 PLC DEC ± .02 [0.5] 3 PLC DEC ± .010 [0.25] ANGLES ± -	DR 11-19-96 C.C.THOMAS	AMP Incorporated Harrisburg, PA 17105-3608	
MATERIAL -	CHK 11-26-96 C.SHELLY		
FINISH -	APPD 11-26-96 C.SHELLY	NAME RCPT KIT, 5 POSN., LGH	
	RLSE 11-26-96 C.C.THOMAS	SIZE C	CAGE CODE 00779
	PRODUCT SPEC -	DRAWING NO G=863754	
	APPLICATION SPEC -	SCALE 2:1	SHEET 1 OF 1
	WEIGHT -		

THIS DRAWING IS A CONTROLLED DOCUMENT FOR AMP INCORPORATED. IT IS SUBJECT TO CHANGE AND THE CONTROLLING ENGINEERING ORGANIZATION SHOULD BE CONTACTED FOR THE LATEST REVISION.

单击下面可查看定价，库存，交付和生命周期等信息

[>>TE Connectivity\(泰科\)](#)