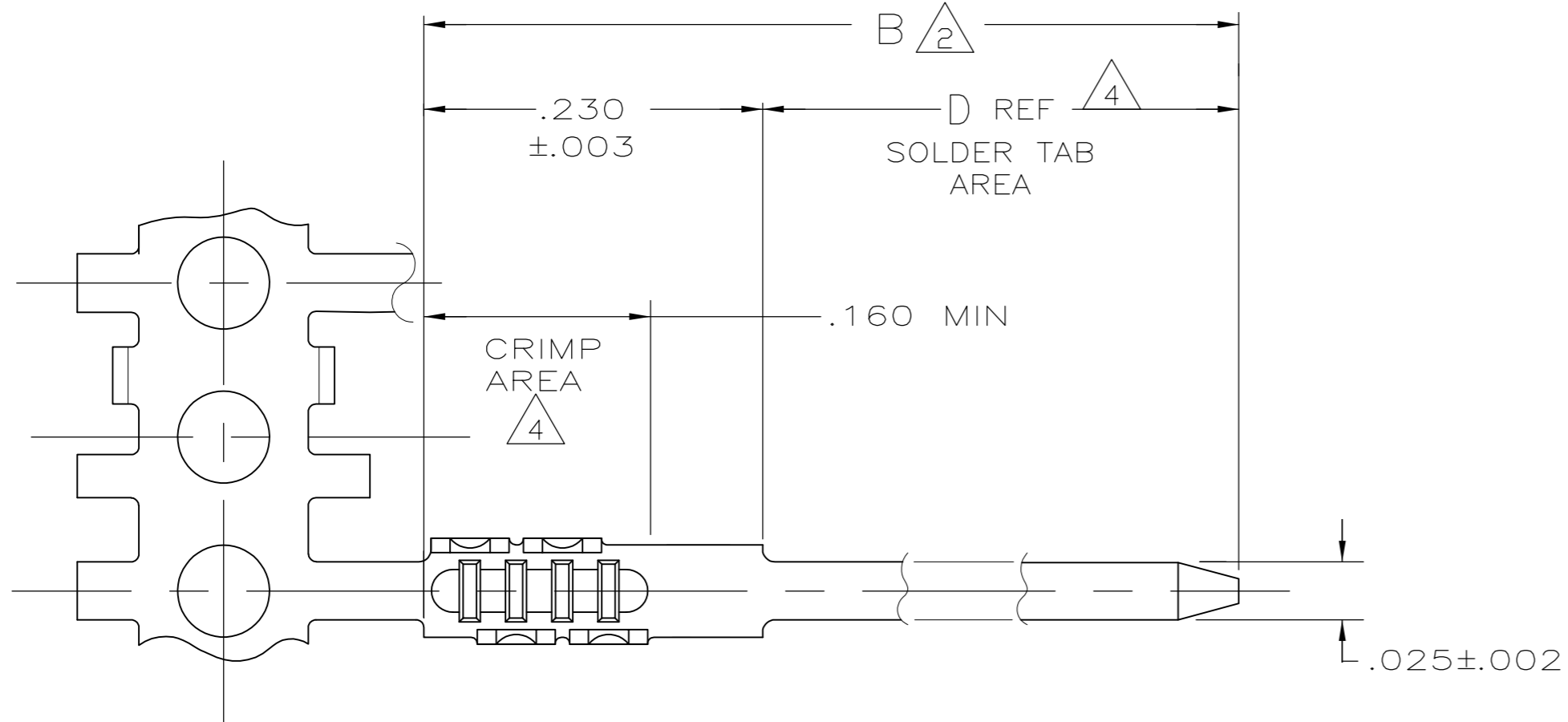
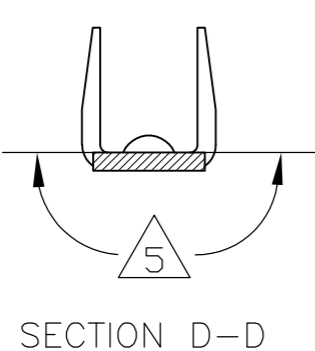
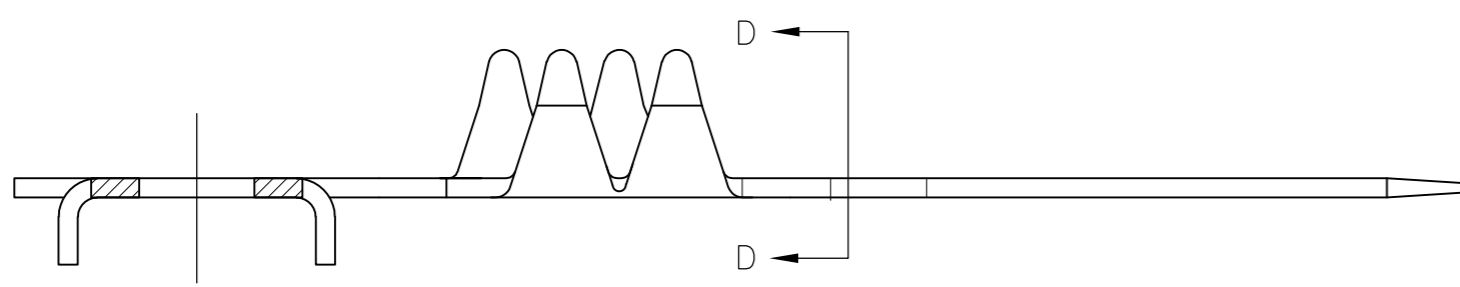


THIS DRAWING IS UNPUBLISHED. RELEASED FOR PUBLICATION  
 © COPYRIGHT BY TYCO ELECTRONICS CORPORATION. ALL RIGHTS RESERVED.

LOC	DIST	REVISIONS			
P	LTR	DESCRIPTION	DATE	DWN	APVD
GP	00	M	REVISED PER ECO-12-011709	26JUN2012	RW SY



- ① BRIGHT TIN-LEAD .000100 MIN THK OVER NICKEL ON ENTIRE CONTACT.
- ② .000050 MIN THK NICKEL OVER ENTIRE CONTACT.
- 3. RECOMMENDED HOLE SIZE: .030-.034 DIA.
- ④ GOLD FLASH IN CRIMP AREA .000100 MIN TIN IN SOLDER TAB AREA, BOTH OVER NICKEL.
- ⑤ GOLD PLATING MAY OR MAY NOT BE PRESENT ON THE BOTTOM OF THE CRIMP BARREL IN THIS AREA,



.210	.440	②④	1-487137-1
.210	.440	①②	487137-8
D	B	FINISH	PART NO

THIS DRAWING IS A CONTROLLED DOCUMENT.		DWN	D.PHIPPS	3-10-86	Tyco Electronics Corporation Harrisburg, PA 17105-3608		
DIMENSIONS: INCHES		CHK	D.SINK	3-11-86			
TOLERANCES UNLESS OTHERWISE SPECIFIED:		APVD	-	-	NAME		
0 PLC ± -		PRODUCT SPEC		108-9024	CONTACT, SOLDER TAB, FFC		
1 PLC ± -		APPLICATION SPEC		114-16015	SIZE	CAGE CODE	DRAWING NO
2 PLC ± -		MATERIAL		PHOS-BRONZE	A2	00779	C=487137
3 PLC ± .005		FINISH		SEE TABLE	SCALE	NTS	SHEET 1 of 1
4 PLC ± -		CUSTOMER DRAWING			REV	M	
ANGLES ± -							

487137

单击下面可查看定价，库存，交付和生命周期等信息

[>>TE Connectivity\(泰科\)](#)