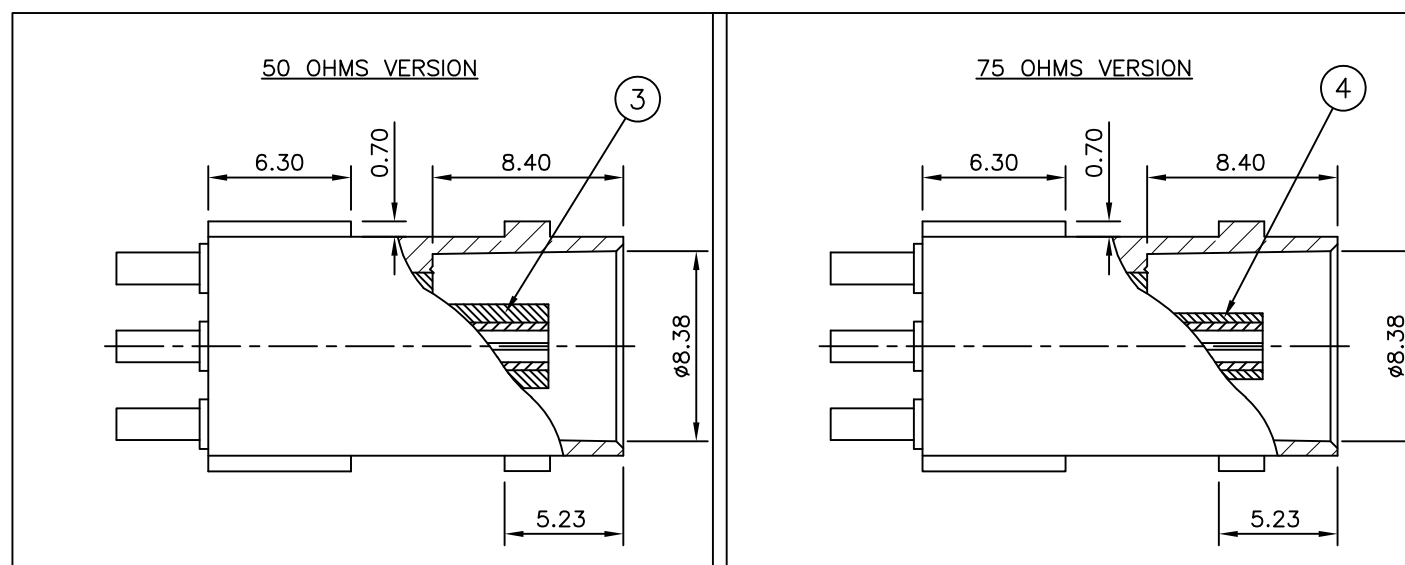
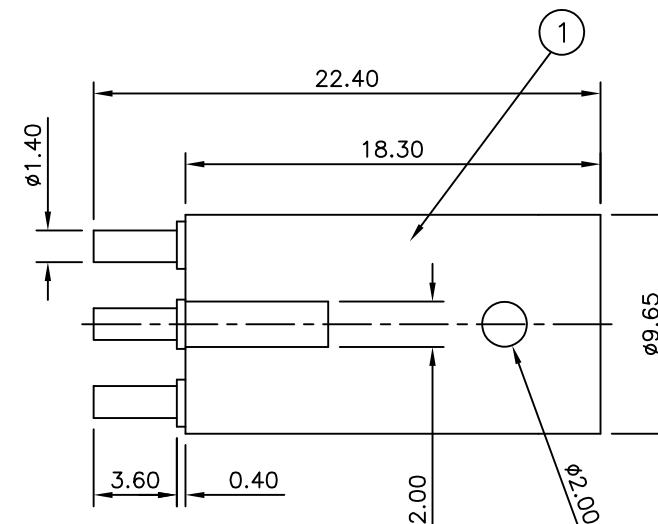
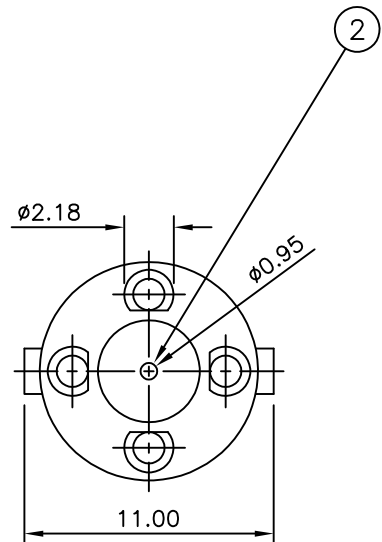


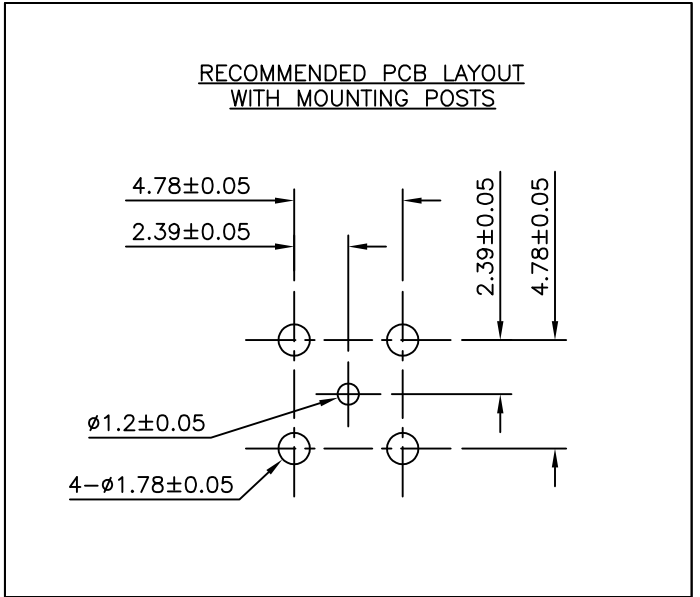
LOC	DIST	REVISIONS					
		P	LTR	DESCRIPTION	DATE	DWN	APVD
E	B		B	ECO-09-003420	11 Mar 09	RITA	BOB
			C	ECO-12-011817	03 Jul 12	TITAN	MARTIN

NOTES

- ① 100 TRAY PACK IN ACCORDANCE WITH AMP SPEC 107-3275
- ② SINGLE PACK IN ACCORDANCE WITH AMP SPEC 107-3275
- ③ Au PLATING
- ④ Ni PLATING



QTY	1	1	-	-	TPX	INSULATOR	4
	-	-	1	1	TPX	INSULATOR	3
	1	1	1	1	PHOS BRONZE	③ CONTACT	2
	1	1	1	1	ZINC ALLOY	④ BODY	1
	5--3	5--2	5--1	5--0	MATERIAL	DESCRIPTION	ITEM



THIS DRAWING IS A CONTROLLED DOCUMENT.

DWN RITA ZUO 11 Mar 09
 CHK ANSON MA 11 Mar 09
 APVD BOB ZHAO 11 Mar 09

TE Connectivity
STE

BNC STRAIGHT PCB SOCKET

108-112000

SIZE A3 CAGE CODE 00779 DRAWING NO C-1634522 RESTRICTED TO -

SCALE NTS SHEET 1 OF 1 REV C

CUSTOMER DRAWING

DIMENSIONS:	TOLERANCES UNLESS OTHERWISE SPECIFIED:
mm	
0 PLC	± -
1 PLC	± -
2 PLC	± -
3 PLC	± -
4 PLC	± -
ANGLES	± -
MATERIAL	FINISH
-	-

单击下面可查看定价，库存，交付和生命周期等信息

[>>TE Connectivity\(泰科\)](#)