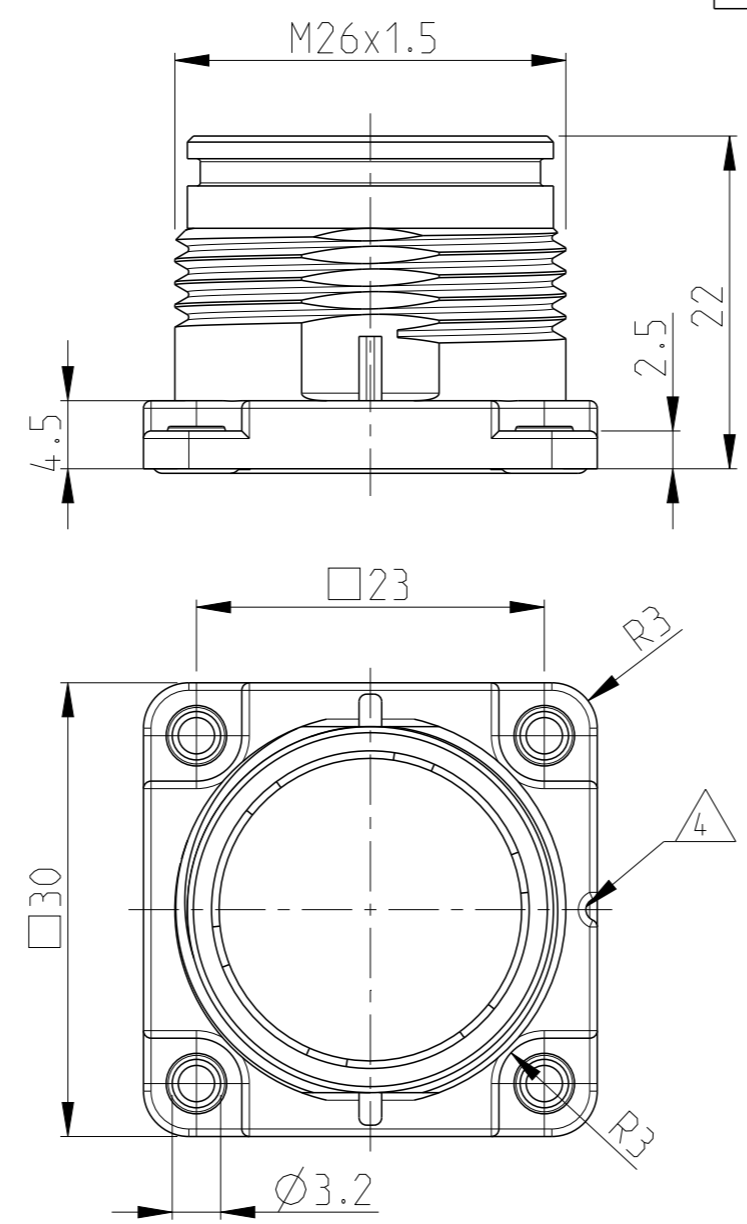
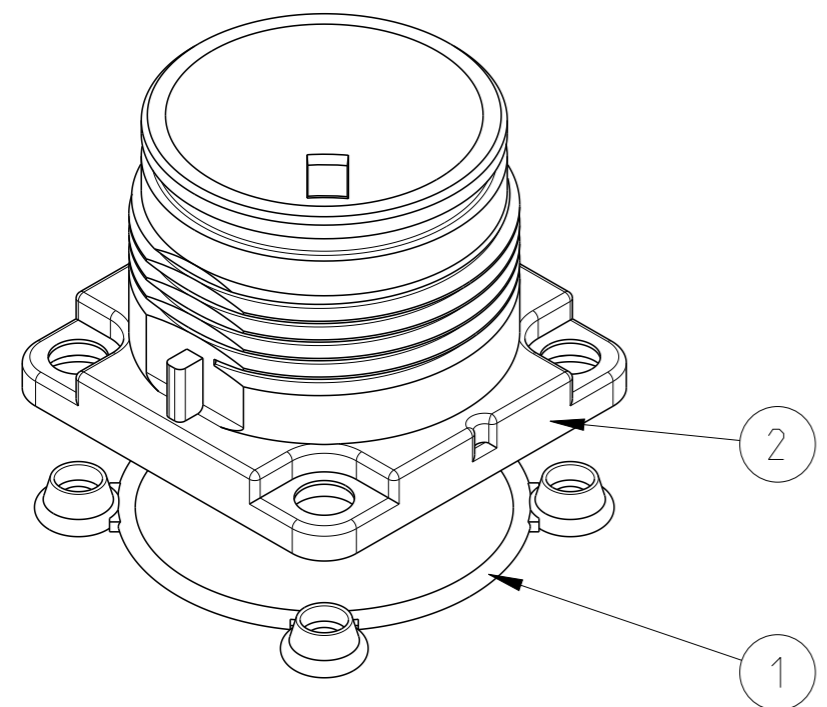


THIS DRAWING IS UNPUBLISHED
 VERTRAULICHE UNVERÖFFENTLICHTE ZEICHNUNG
 © COPYRIGHT 2009 Tyco Electronics AMP GmbH
 RELEASED FOR PUBLICATION
 FREI FUER VERÖFFENTLICHUNG
 26.Jan. 2009
 ALL RIGHTS RESERVED.
 ALLE RECHTE VORBEHALTEN.

LOC	DIST	REVISIONS ÄNDERUNGEN					
AI	-	P	LTR	DESCRIPTION BESCHREIBUNG	DATE	DWN	APVD
PROJEKT NR.:		D2		O-RING DELETED	14AUG2014	EC	DO
		D3		TITLE BLOCK: NAME CHANGED	12OCT2015	ER	DO
		D4		REV. PER ECR-16-000458	12JAN2016	ER	DO




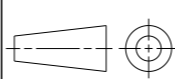
- Notes
- 1 SUITABLE HOUSINGS: SERIES HC26
CUSTOMER DRAWING: 1103436, 1103434
 - 2 SUITABLE INSERTS: SERIES HC26
CUSTOMER DRAWING: 1103428, 1103429,
1103431, 1103432
 - 3 STANDARDS:
DIN EN 61984, DIN EN 60664-1
 - 4 CODING GROOVE
 - 5 PACKAGING:
40 SETS IN A CARTON, PRE-MOUNTED
 - 6 SALEABLE PART
 - 7 KIT COMPONENT: FOR INTERNAL USE ONLY

PN 0-1 AS SHOWN

7	6	1	1	BULKHEAD HOUSING	ZINC ALLOY	NICKEL PLATED	SERIES HC26, DESIGN METAL	2	
		1	1	SEALING	FKM	GREY	SERIES HC26, BULKHEAD HSG	1	
		-2	-1	DESCRIPTION	MATERIAL	SURFACE/COLOR	NOTE	ITEM	
PN/QTY		PARTS LIST							

DIESE ZEICHNUNG IST EIN KONTROLLIERTES DOKUMENT.
 BEMASSUNGEN UND TOLERANZEN GEMAESS GPS (ISO STANDARDS).

THIS DRAWING IS A CONTROLLED DOCUMENT.
 DIMENSIONING AND TOLERANCING PER GPS (ISO STANDARDS).

DIMENSIONS: MASSEINHEITEN: MM	TOLERANCES UNLESS OTHERWISE SPECIFIED: ALLGEMEINTOLERANZEN	DWN T.VETTER 23JAN2009	 TE Connectivity	NAME BULKHEAD HOUSING ASS'Y SERIES HC26, DESIGN METAL CIRCULAR HYBRID CONNECTOR
	0 PLC ± 1 PLC ± 2 PLC ± 3 PLC ± 4 PLC ± ANGLES/WINKEL ±1°	CHK H.BRAUN 26JAN2009		
MATERIAL	FINISH/OBERFLAECHE/FARBE	APVD T.SCHNURPFIL 26JAN2009		
		PRODUCT SPEC PRODUKTSPEZ. 108-94485 APPLICATION SPEC VERARBEITUNGSSPEZ. 114-94369		

SIZE A3	CAGE CODE 00779	DRAWING NO. ZEICHNUNGS-NR. G=1103436	RESTRICTED TO NUR FUER -
CUSTOMER DRAWING		/KUNDENZEICHNUNG	SCALE MASSSTAB 2:1
SHEET BLATT 1		OF VON 1	REV D4

单击下面可查看定价，库存，交付和生命周期等信息

[>>TE Connectivity\(泰科\)](#)