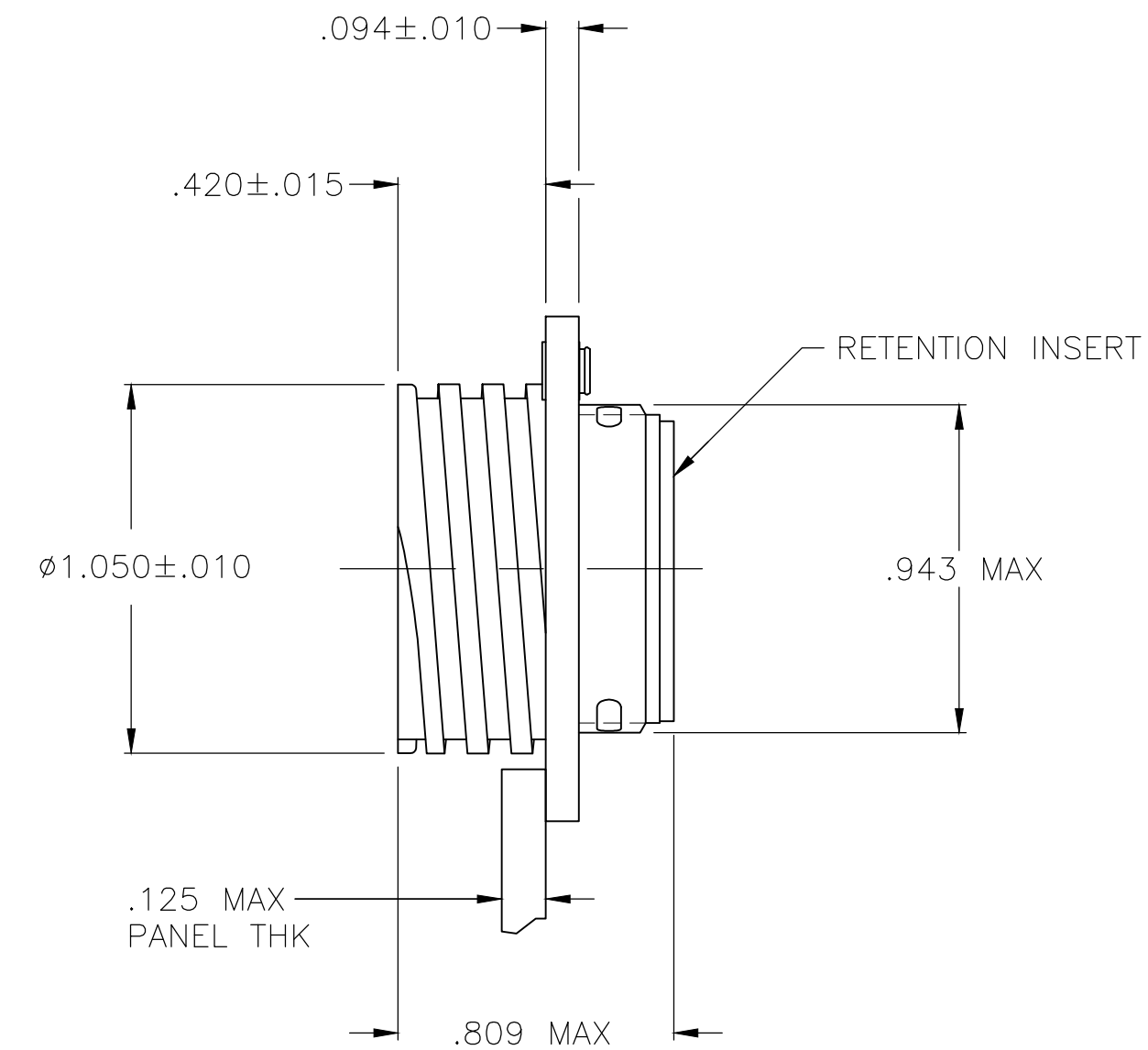
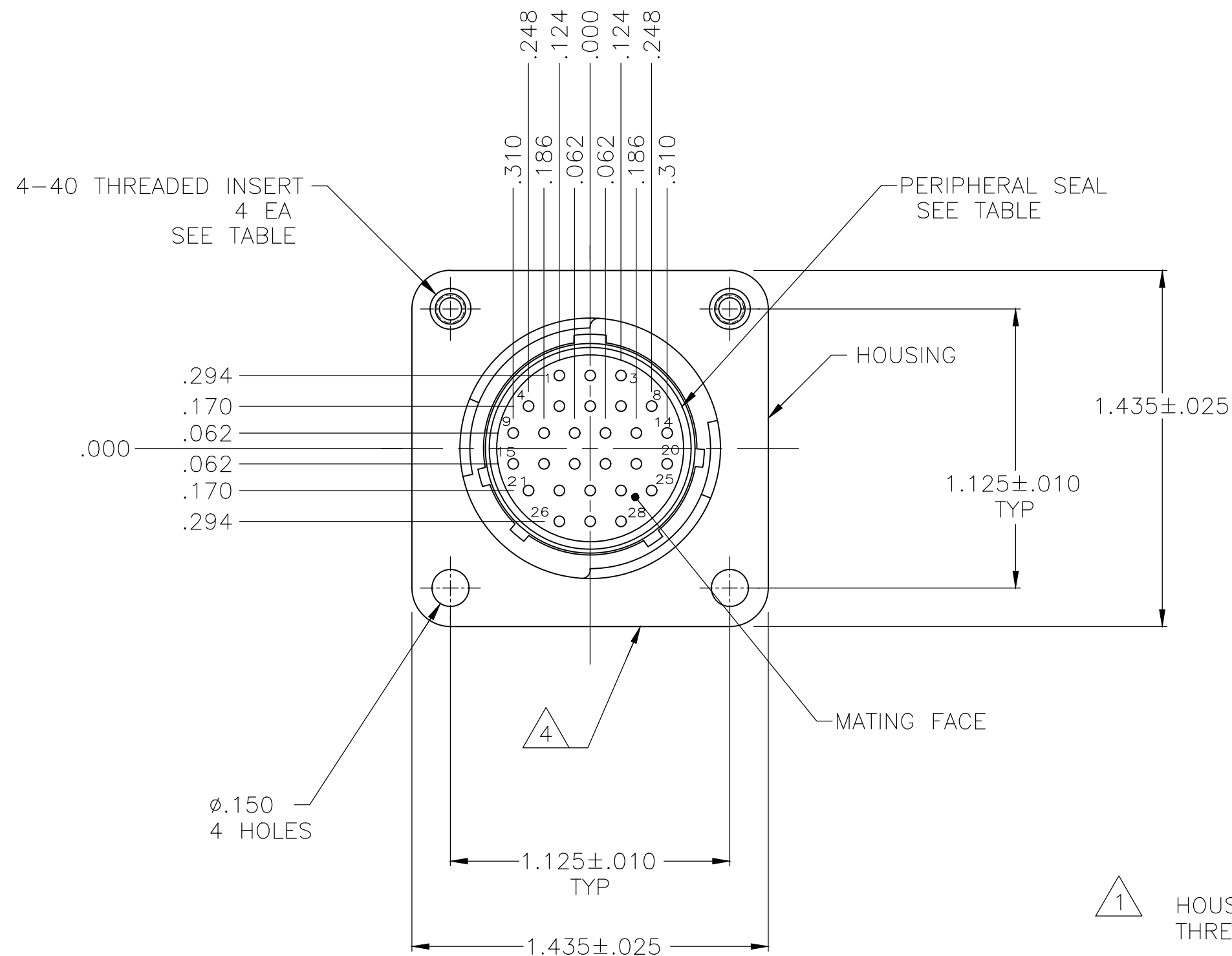
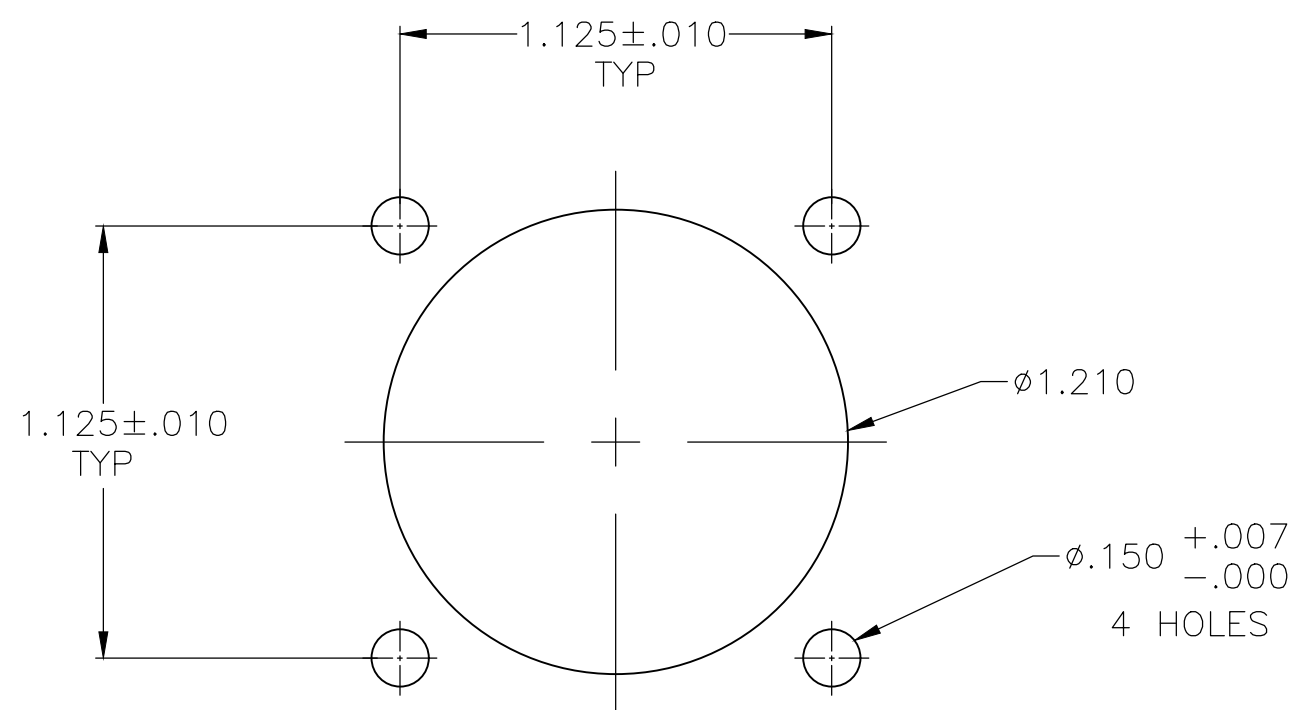


THIS DRAWING IS UNPUBLISHED. RELEASED FOR PUBLICATION  
 © COPYRIGHT - By - ALL RIGHTS RESERVED.

REVISIONS					
P	LTR	DESCRIPTION	DATE	DWN	APVD
H2		REVISED PER ECO-13-019645	14DEC2013	KH	MZ
J		REVISED PER ECR-16-016563	07DEC2016	RS	MZ
K		REVISED PER ECO-17-016115	02NOV2017	RS	MZ



- 1 HOUSING & RETENTION INSERT: THERMOPLASTIC, BLACK. THREADED INSERTS: BRASS.
- 2 CONTACT CAVITIES IDENTIFIED BY CHARACTERS ON FRONT AND REAR FACES OF CONNECTOR.
- 3 WILL ACCEPT (28) SIZE 20 PIN CONTACTS.
- 4 PART NUMBER 205840-3 MOLDED INTO HOUSING. FINAL ASSEMBLY PART NUMBER AND DATE CODE STAMPED IN WHITE CHARACTERS OR LASER MARKED ON ANY FLANGE EDGE



PANEL CUTOUT

OBsolete	YES	YES	-205840-5-
	NO	YES	205840-4
	NO	NO	205840-3
	PERIPHERAL SEAL	4-40 THREADED INSERTS	PART NUMBER

THIS DRAWING IS A CONTROLLED DOCUMENT.		DWN	A.STAUB BG	4/3/91	 TE Connectivity							
DIMENSIONS: INCHES		CHK	W.G.LENKER	7-24-92								
TOLERANCES UNLESS OTHERWISE SPECIFIED:		APVD	K.BEAVER	7-24-92								
0 PLC ± - 1 PLC ± - 2 PLC ± - 3 PLC ± .005 4 PLC ± - ANGLES ± -		PRODUCT SPEC	108-10024									
MATERIAL	FINISH	WEIGHT	-		SIZE	A2	CAGE CODE	00779	DRAWING NO	C-205840	RESTRICTED TO	-
1		CUSTOMER DRAWING		SCALE	2:1	SHEET	1	OF 1	REV	K		

单击下面可查看定价，库存，交付和生命周期等信息

[>>TE Connectivity\(泰科\)](#)