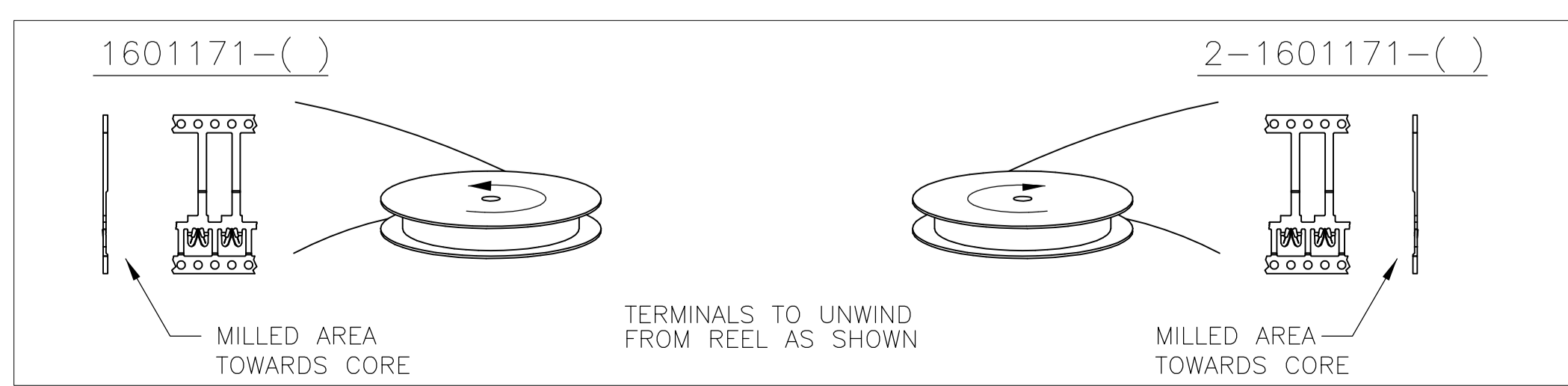
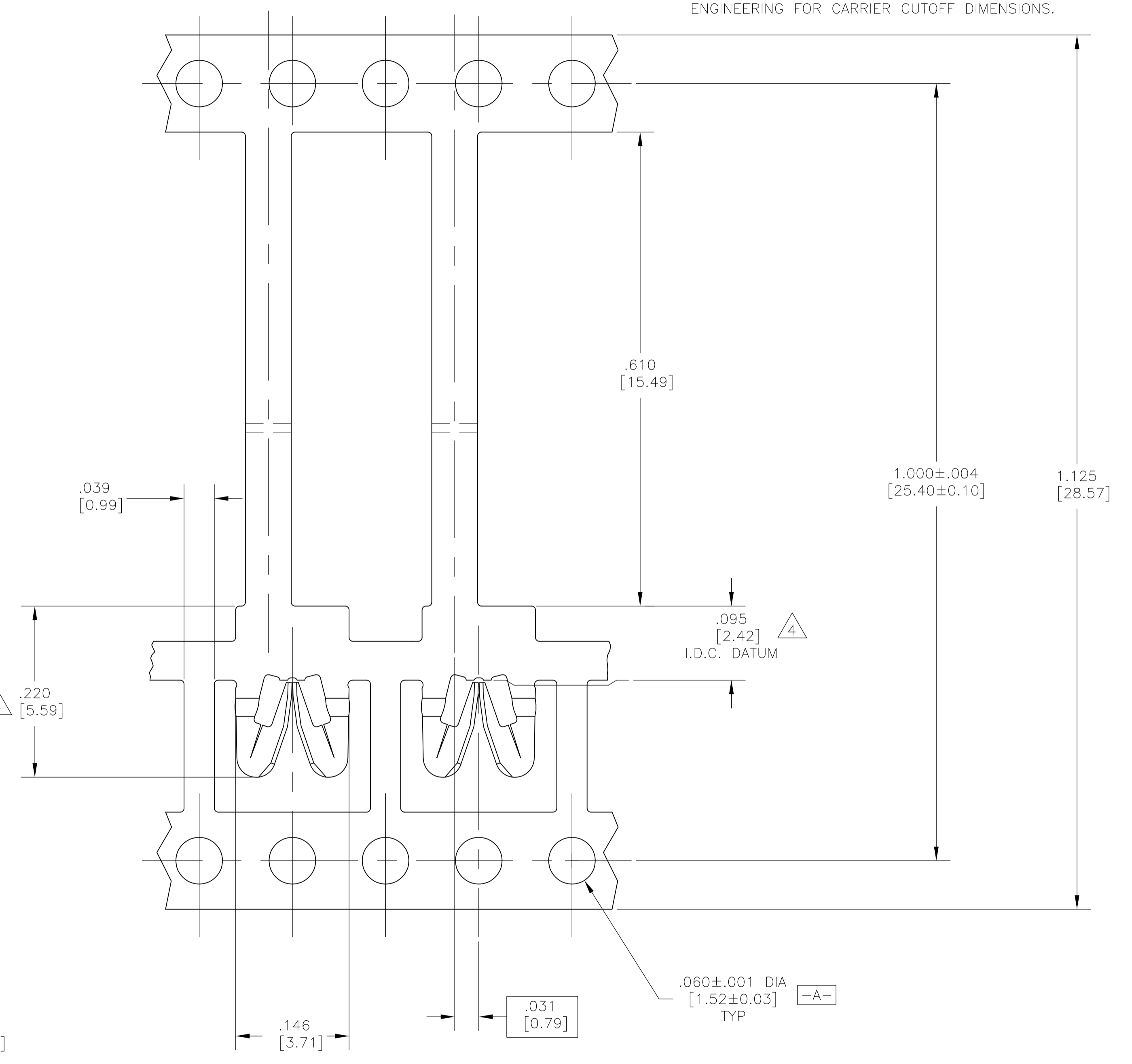
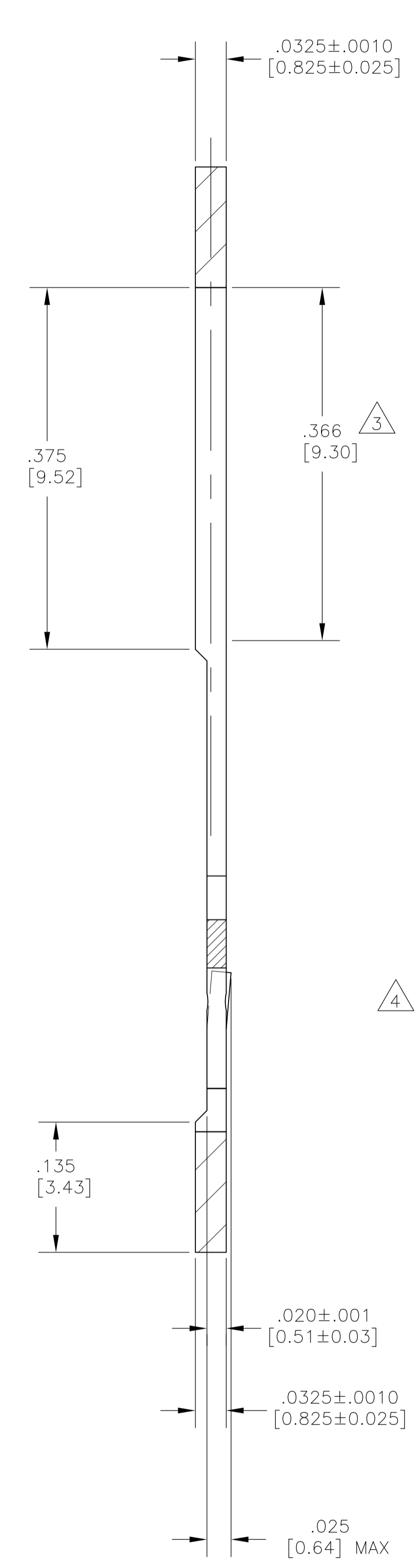
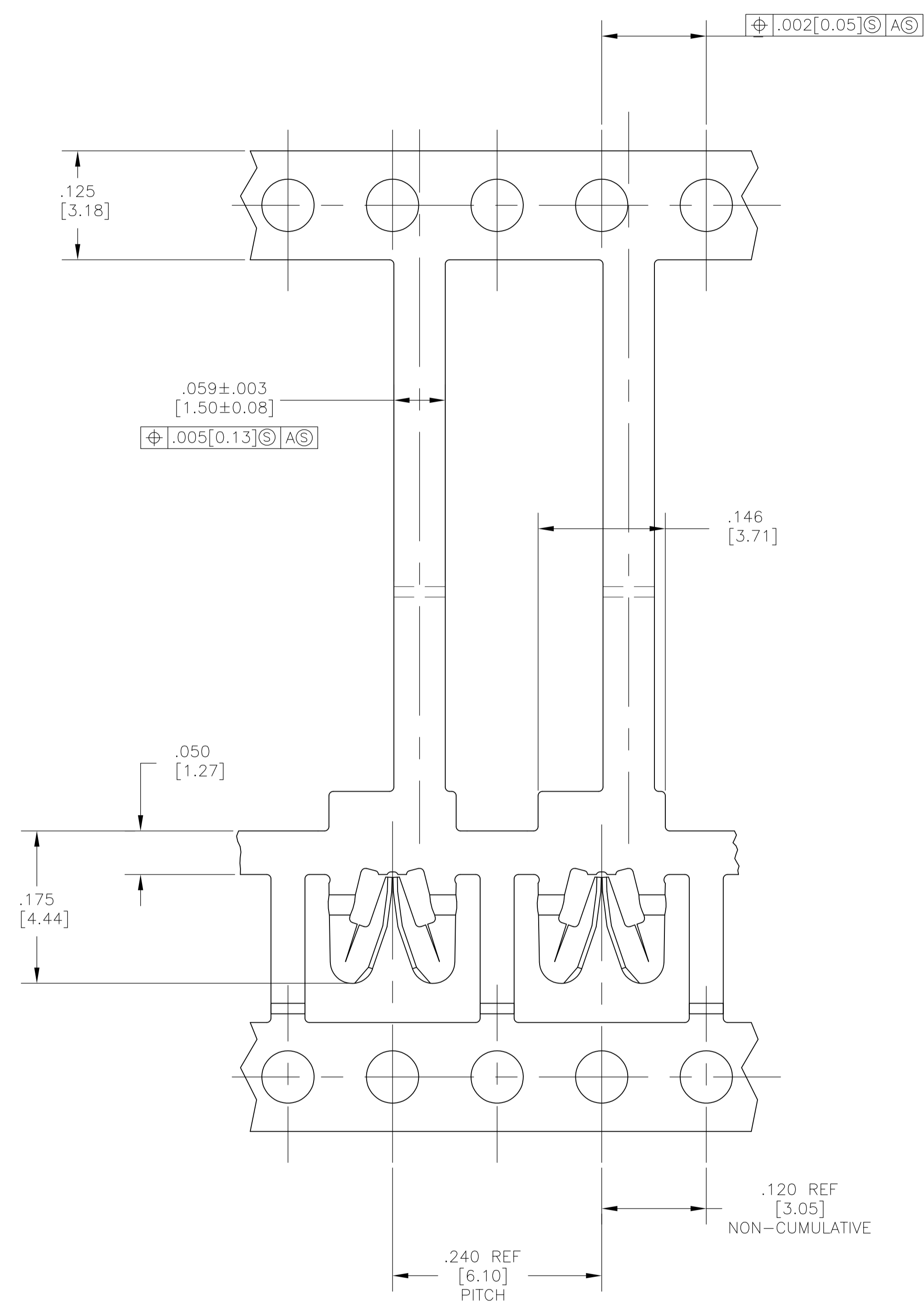


LOC		DIST		REVISIONS			
AF	50	REV	DATE	BY	APPV		
F1		REVISED PER ECR-07-024681	26OCT07	HMR	GJ		

- SPECIFICATIONS: MAGNET WIRE RANGE; #18-#34 .006-.040 DIA [0.16-1.02] mm COPPER. OTHER SIZES MAY BE ACCOMMODATED, CONSULT TYCO ELECTRONICS FOR APPROVAL.
- POCKET RECOMMENDATION: 1601424.
- MAINTAIN THICKNESS FOR THIS LENGTH AND COIN EDGES WITH NO BURRS.
- SPC DATA REQUIRED FOR THESE DIMENSIONS
- TERMINAL APPLICATION TO COMPLY WITH TYCO ELECTRONICS SPECIFICATION 114-13166 FIGURE 5. CONSULT TYCO ELECTRONICS ENGINEERING FOR CARRIER CUTOFF DIMENSIONS.



2-1601171-2
PART NUMBER

THIS DRAWING IS A CONTROLLED DOCUMENT.		DIN MICHAEL S. FEHER 22OCT2002	Tyco Electronics Corporation Harrisburg, PA 17105-3608	
DIMENSIONS: INCHES		CHK GENE JACONO 22OCT2002	NAME .059 X .032 OFFSET TAB STANDARD SIAMEZE TERMINAL	
TOLERANCES UNLESS OTHERWISE SPECIFIED:		APPV GENE JACONO 22OCT2002	PRODUCT SPEC 108-2085	
0 PLC ± -		APPLICATION SPEC 5		
1 PLC ± -		SIZE A1		
2 PLC ± .01[0.25]		CAGE CODE 00779		
3 PLC ± .005[0.13]		DRAWING NO 1601171		
4 PLC ± - # Z		RESTRICTED TO		
ANGLES ± - # Z		CUSTOMER DRAWING		
MATERIAL BRASS, FULL HARD	FINISH PRE-TIN PLATE	WEIGHT	SCALE 10:1	SHEET 1 OF 1
		REV F1		

单击下面可查看定价，库存，交付和生命周期等信息

[>>TE Connectivity\(泰科\)](#)