

THIS DRAWING IS UNPUBLISHED.

RELEASED FOR PUBLICATION

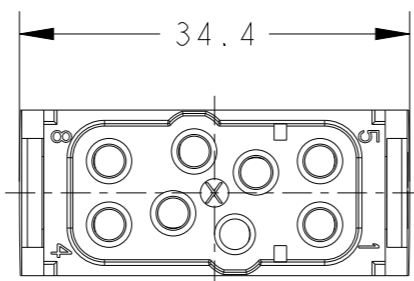
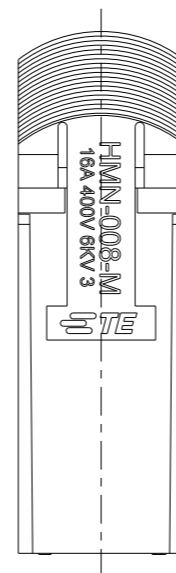
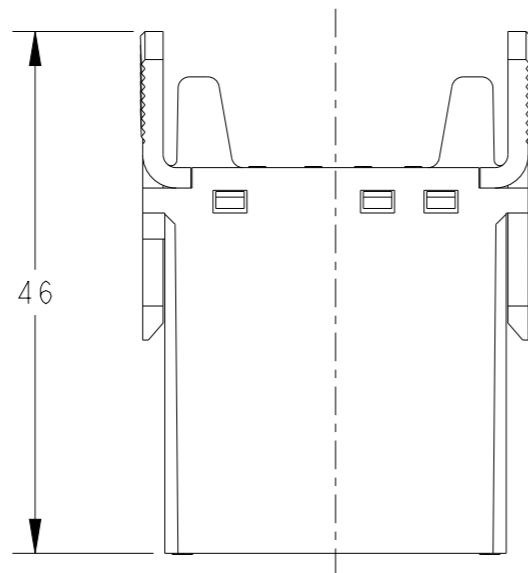
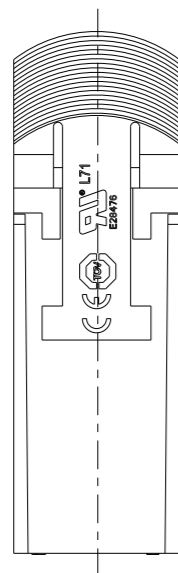
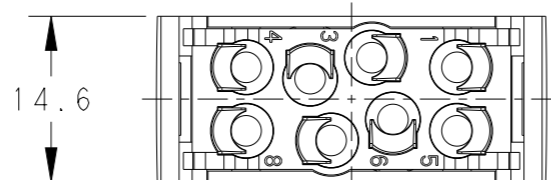
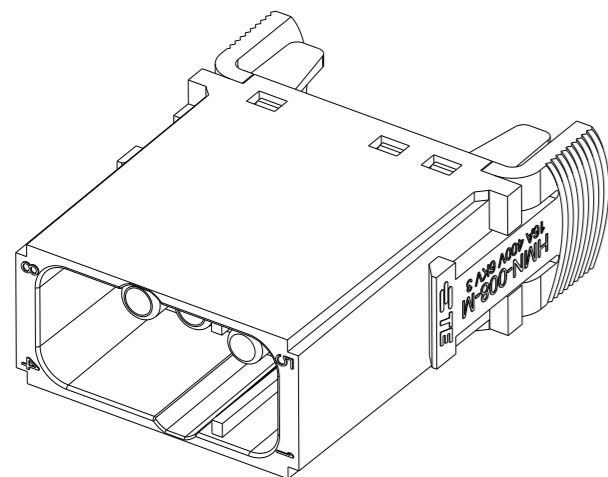
20

© COPYRIGHT 20 BY -

ALL RIGHTS RESERVED.

REVISIONS

P	LTR	DESCRIPTION	DATE	DWN	APVD
	A	INITIAL	25MAR2015	DW	CW
	B	ECR-15-018270	07DEC2015	DW	CW
	C	ECR-21-111798	27SEP2021	WQR	CW



NOTES:

- TECHNICAL CHARACTERISTICS:  
 INSULATION MATERIAL: PC  
 RATED VOLTAGE: 400V  
 RATED CURRENT: 16A  
 INSULATION RESISTANCE:  $\geq 400M\Omega$   
 RATED IMPULSE VOLTAGE: 6KV  
 POLLUTION DEGREE: 3  
 FLAMMABILITY: UL94V-0  
 MATING CYCLES: 500 CYCLES  
 OPERATION TEMPERATURE:  $-40\sim+125^{\circ}C$   
 WIRE RANGE:  $0.14\sim 4\text{ mm}^2$  (26~12 AWG)  
 CONTACT TYPE: CRIMP CONTACT
- CONTACT NEED TO BE ORDERED SEPARATELY.  
 (ORDER No. REFER TO DRAWING:T20300X10XX000)

注释:

- 技术参数:  
 绝缘材料: PC  
 额定电压: 400V  
 额定电流: 16A  
 绝缘电阻:  $\geq 400M\Omega$   
 额定脉冲电压: 6KV  
 污染等级: 3  
 阻燃等级: UL94V-0  
 插拔次数: 500次  
 工作温度:  $-40\sim+125^{\circ}C$   
 接线范围:  $0.14\sim 4\text{ mm}^2$  (26~12 AWG)  
 接线类型: 冷压接
- 端子需要单独订购。  
 (订货号参考图面: T20300X10XX000)

HMN-008-M	T2111082101-000
DESCRIPTION	PART NUMBER



THIS DRAWING IS A CONTROLLED DOCUMENT.		DWN	25MAR2015	NAME	HMN-008-M		
		David Wang					
		CHK	25MAR2015				
		Chris Wang					
		APVD	25MAR2015	PRODUCT SPEC	108-137061		
		Xiang Xu					
		APPLICATION SPEC		SIZE	CAGE CODE	DRAWING NO	RESTRICTED TO
		114-137061					
MATERIAL		FINISH		WEIGHT		SCALE	
-		-		-		3:2	
		Customer Drawing		SHEET		1 OF 1	
				REV		C	

DIMENSIONS:		TOLERANCES UNLESS OTHERWISE SPECIFIED:	
mm			
		0 PLC	±
		1 PLC	±
		2 PLC	±
		3 PLC	±
		4 PLC	±
		ANGLES	±
		FINISH	
		-	

单击下面可查看定价，库存，交付和生命周期等信息

[>>TE Connectivity\(泰科\)](#)