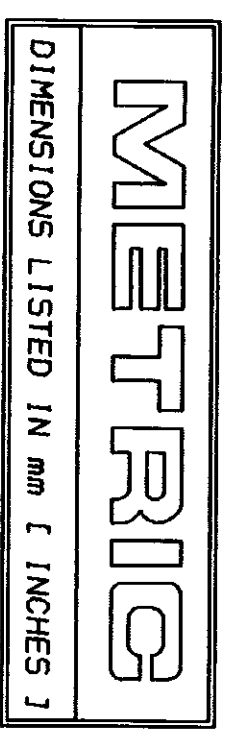


THIS DRAWING IS UNPUBLISHED. RELEASED FOR PUBLICATION BY AMP INCORPORATED. ALL INTERNATIONAL RIGHTS RESERVED. 19

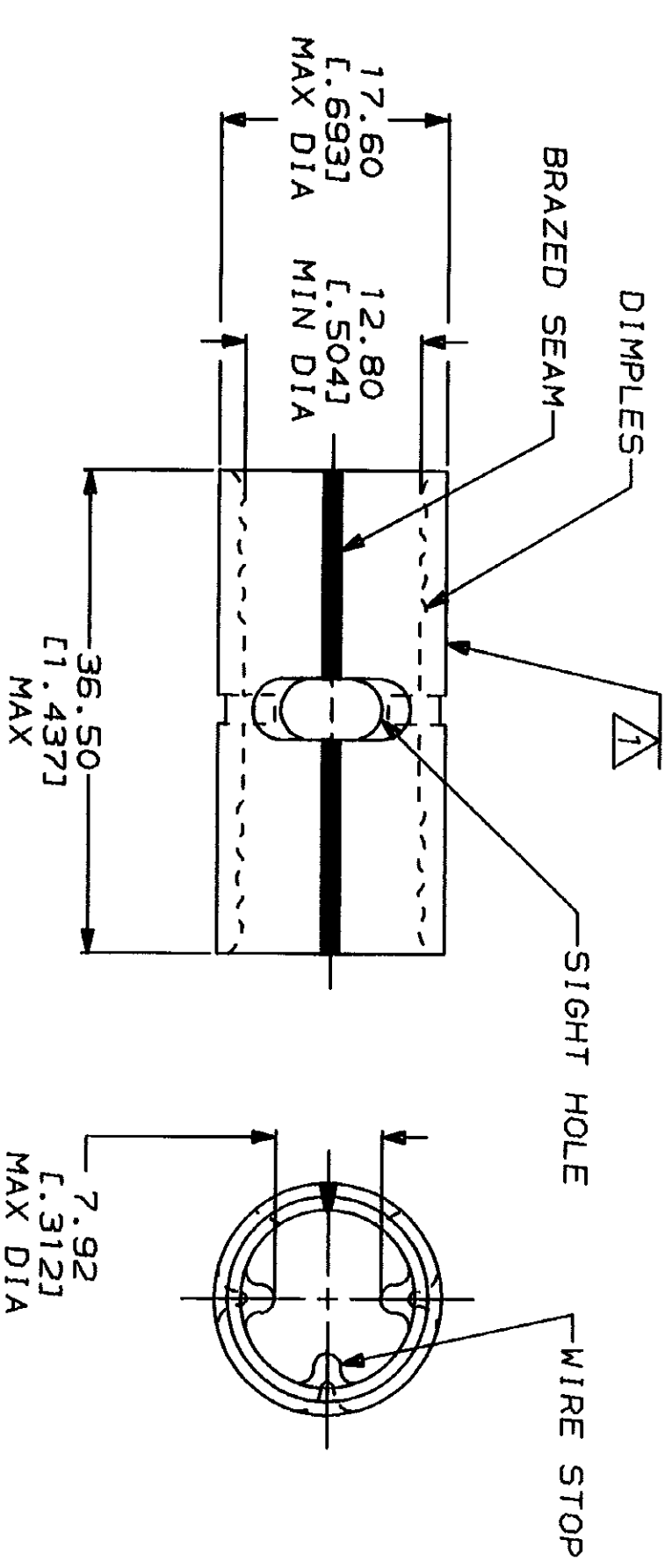
AMP PART NO	MATERIAL	PKG TYPE	QTY
8-36958-3	M/F 8-36958-0	BOX	25
8-36958-5	M/F 8-36958-0	BAG	5

LOC	DIST	P	F	ZONE	LTR	DESCRIPTION	DATE	APPD
6	14				C	REVISED & REDRAWN PER 0720-0037-93	5/24/99	5 PER



AMP WIRE RANGE	UL E13288 Listed
2/0 AWG SOLID OR STRANDED	2/0 AWG SOLID OR STRANDED

AMP LR7189 Certified	MILITARY P/N AND CLASS
2/0 AWG SOLID OR STRANDED	NOT APPLICABLE



1 STAMP AMP 2/0W* APPROX AS SHOWN
 2 MATERIAL THK: 2.03±0.08 [L.080 ±.003]

AMP INCORPORATED
 CUSTOMER SERVICE SYSTEMS

MAX RECOMMENDED OPERATING TEMPERATURE: 170°C MAX
 VOLTAGE RATING: NOT APPLICABLE
 CIRCULAR MIL AREA: 60.6-76.3mm² [119,500-150,500] CIR MILS SOLID OR STRANDED

FOR ADDITIONAL PRODUCT INFORMATION OR COPIES OF DRAWINGS AND TECHNICAL DOCUMENTS
 1-800-522-6752
 PRODUCT INFORMATION CENTER

FOR APPLICATION TOOLS INFORMATION
 1-800-722-1111
 TOOLING ASSISTANCE CENTER

DO NOT SCALE PRINT. DIMENSIONS ON THIS DRAWING ARE IN MILLIMETERS UNLESS SPECIFIED OTHERWISE. TOLERANCES ON DIMENSIONS: 3 PLG DEC ± .001 ANGLES ± .1 MATERIAL COPPER PER ASTM B-152 ANNEALED

DR	S/R/SS	OR	DATE
CHK	DK	DK	1/27/94
APPD	RD	RD	1/27/94
APPD	RE	RE	1/27/94
APPD	JE	JE	1/27/94

AMP INCORPORATED
 HARRISBURG, PA 17105-3608
 SPLICE, BUTT, SOLISTRAND™

FOR ORDER ENTRY
 1-800-526-5142

FINISH TIN PLATE
 0.00254(0.000100) MIN THK PER MIL-T-10727

APPLICATION SPEC

SCALE 2:1

AMP INCORPORATED
 HARRISBURG, PA 17105-3608
 SPLICE, BUTT, SOLISTRAND™
 CASE CODE 00779
 DRAWING NO G-36958
 SHEET 1 OF 1

单击下面可查看定价，库存，交付和生命周期等信息

[>>TE Connectivity\(泰科\)](#)