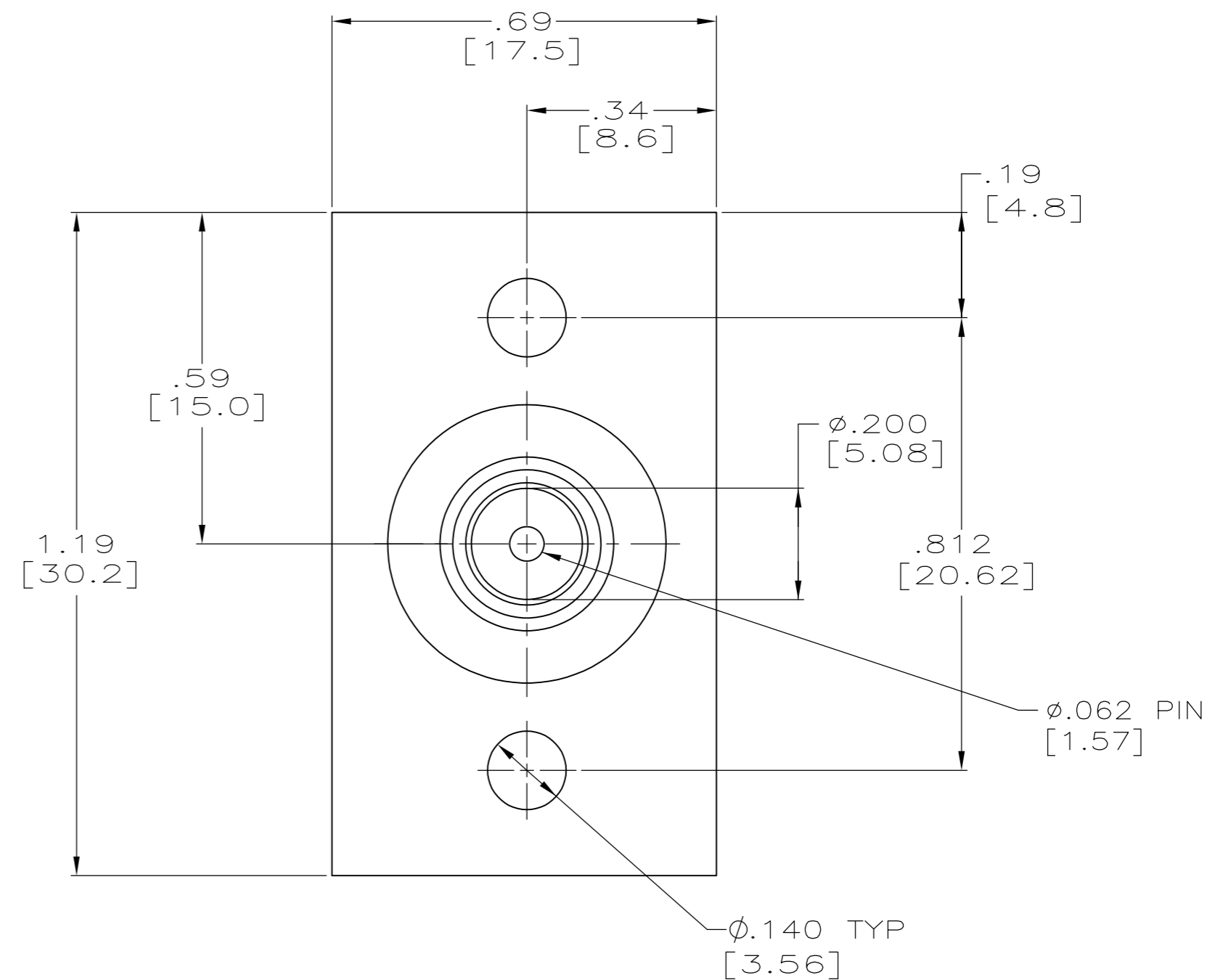
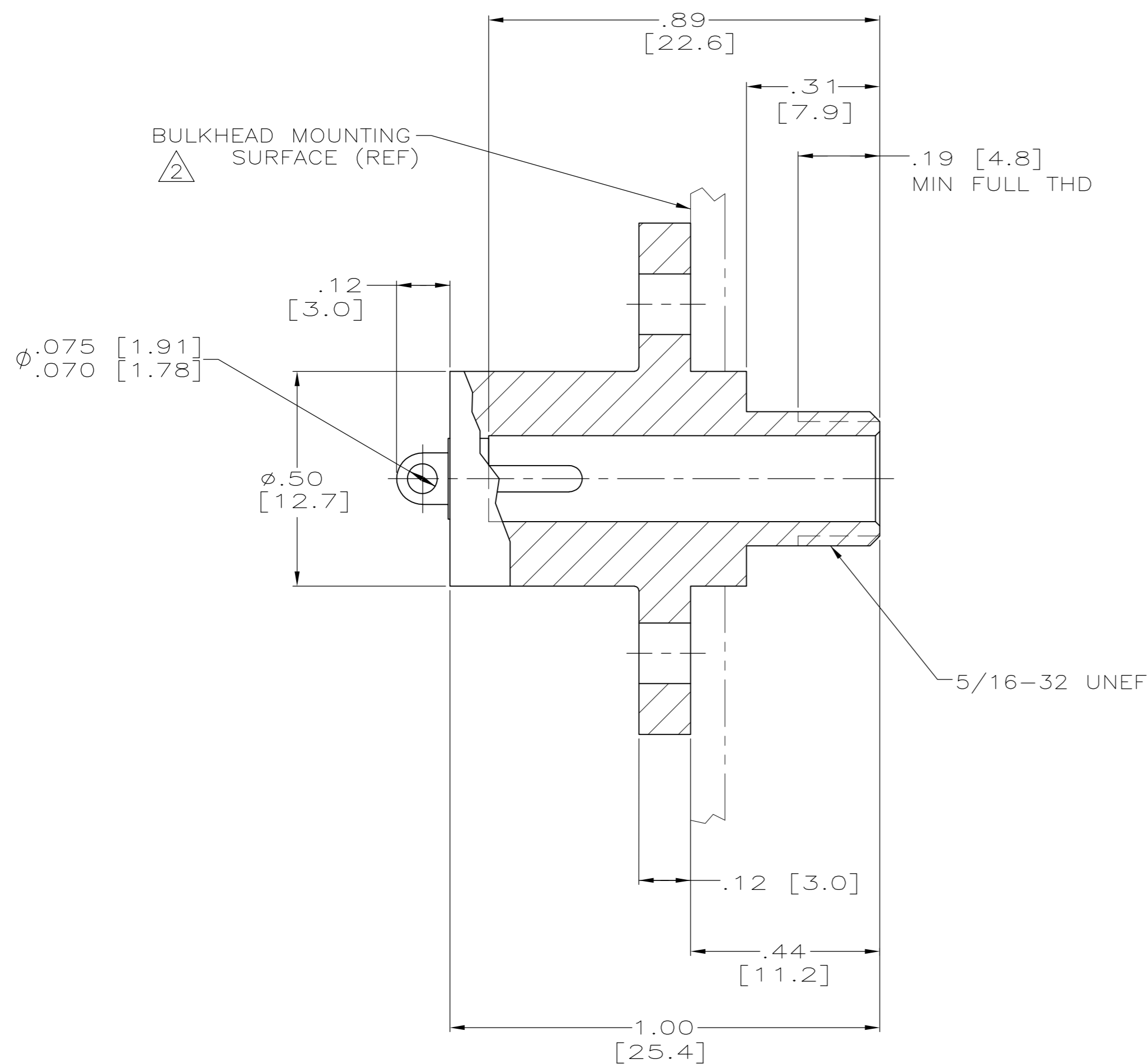


THIS DRAWING IS UNPUBLISHED. RELEASED FOR PUBLICATION
 © COPYRIGHT - By - ALL RIGHTS RESERVED.

LOC		DIST		REVISIONS			
P	LTR	DESCRIPTION		DATE	DWN	APVD	
	H	REV PER ECO 14-009745		10-13-14	CT	DM	

- RECEPTACLE TO MATE WITH AMP LGH-1/2L LEAD ASSY, AVAILABLE SEPARATELY.
- IF BULKHEAD AND MOUNTING HARDWARE ARE METALLIC AND AT GROUND POTENTIAL, PROVISIONS MUST BE MADE TO PROTECT THE RECEPTACLE'S BACK-END AGAINST ARC-OVER AND BREAKDOWN.



TIN	5-858857-1
GOLD	858857-2
TIN-LEAD	858857-1
TERMINAL PLATING	PART NUMBER

THIS DRAWING IS A CONTROLLED DOCUMENT.		DWN	29-AUG-96	C.C.THOMAS	
DIMENSIONS: INCHES		CHK	10-SEP-96	S.GLATFELTER	
TOLERANCES UNLESS OTHERWISE SPECIFIED:		APVD	10-SEP-96	S.GLATFELTER	
0 PLC ± -		PRODUCT SPEC		NAME	
1 PLC ± -		APPLICATION SPEC		FLANGED RCPT ASSY	
2 PLC ± .02[0.5]		WEIGHT		LGH-1/2L	
3 PLC ± .005[0.13]		8 GRAMS MAX		-	
4 PLC ± -		A2 00779		-	
ANGLES ± -		C=858857		-	
FINISH		CUSTOMER DRAWING		-	
MATERIAL		SCALE		RESTRICTED TO	
EPOXY MLDG CMPD		4:1		-	
COLOR: BLACK		SHEET		REV	
		1 of 1		H	

单击下面可查看定价，库存，交付和生命周期等信息

[>>TE Connectivity\(泰科\)](#)