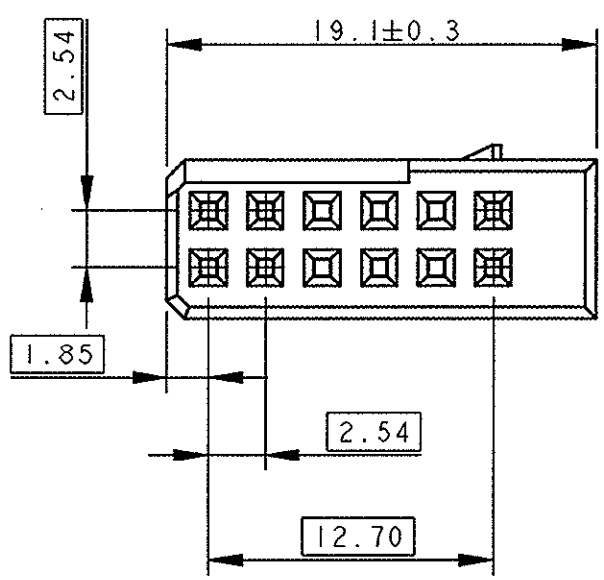
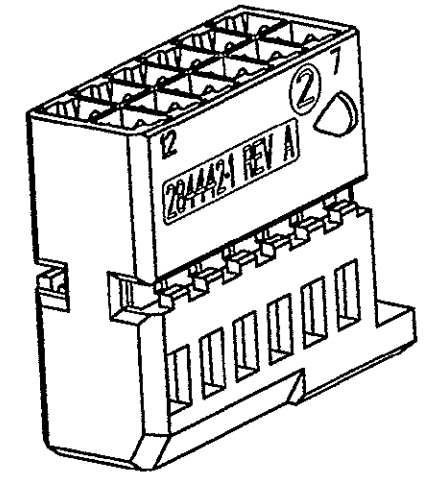
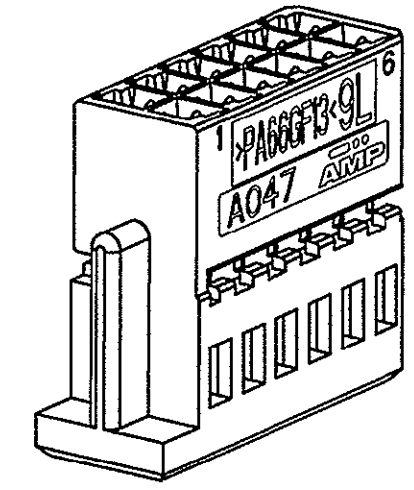
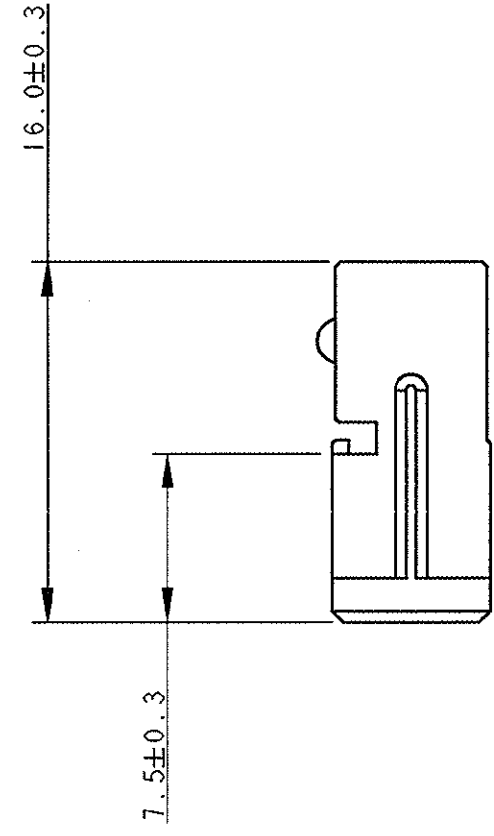
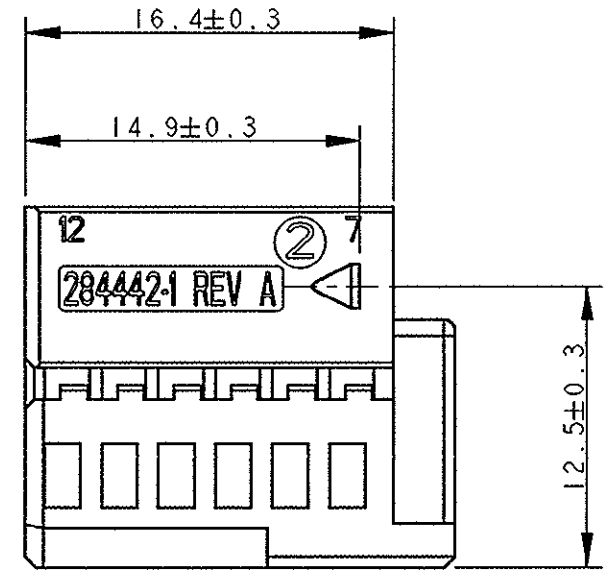


LOC	DIST	REVISIONS					
		P	LTR	DESCRIPTION	DATE	DWN	APVD
1	-	0		FIRST ISSUE	27-9-99	M.P.	R.M.
		A		REVISED FOR ET00-0404-99	5-4-00	M.P.	R.M.
		AI		RELEASED FOR PROD. ET00-0069-01	8 OCT '01	M.P.	R.M.



- 1) CAVITIES SUITABLE FOR MICRO QUADLOK SYSTEM RECEPTACLE CONTACT AMP P/N 928999-1 AND 963715-1
- 2) PLUG HOUSING SUITABLE FOR COVER PLUS LEVER P/N 284443-...
- 3) MATERIAL: PA 66 GF. FILLED

284442-1 COLOUR BLACK, AS SHOWN

<small>THIS DRAWING IS A CONTROLLED DOCUMENT FOR AMP INCORPORATED. IT IS SUBJECT TO CHANGE AND THE CONTROLLING ENGINEERING ORGANIZATION SHOULD BE CONTACTED FOR THE LATEST REVISION.</small>		DWN <i>Pls</i> 27 SEPT '99 M. PALMA CHK R. MARTINI 27 SEPT '99 APVD A. GENTA 27 SEPT '99	AMP AMP Italia S.p.A. C.so F.lli Cervi 15 Collegno (TO)			
DIMENSIONS: mm	TOLERANCES UNLESS OTHERWISE SPECIFIED: 0 PLC ±- 1 PLC ±0.1 2 PLC ±0.05 3 PLC ±0.000 4 PLC ±0.0000 ANGLES ±-	PRODUCT SPEC 108-20222	NAME 12 POSITION MICRO QUADLOK SYSTEM PLUG HOUSING			
	MATERIAL NOTE 3)	APPLICATION SPEC 411-15565	WEIGHT 2.0 g	SIZE A3	CAGE CODE 00779	DRAWING NO ©-284442
CUSTOMER DRAWING			SCALE 3:1	SHEET 1 OF 1	REV AI	

单击下面可查看定价，库存，交付和生命周期等信息

[>>TE Connectivity\(泰科\)](#)