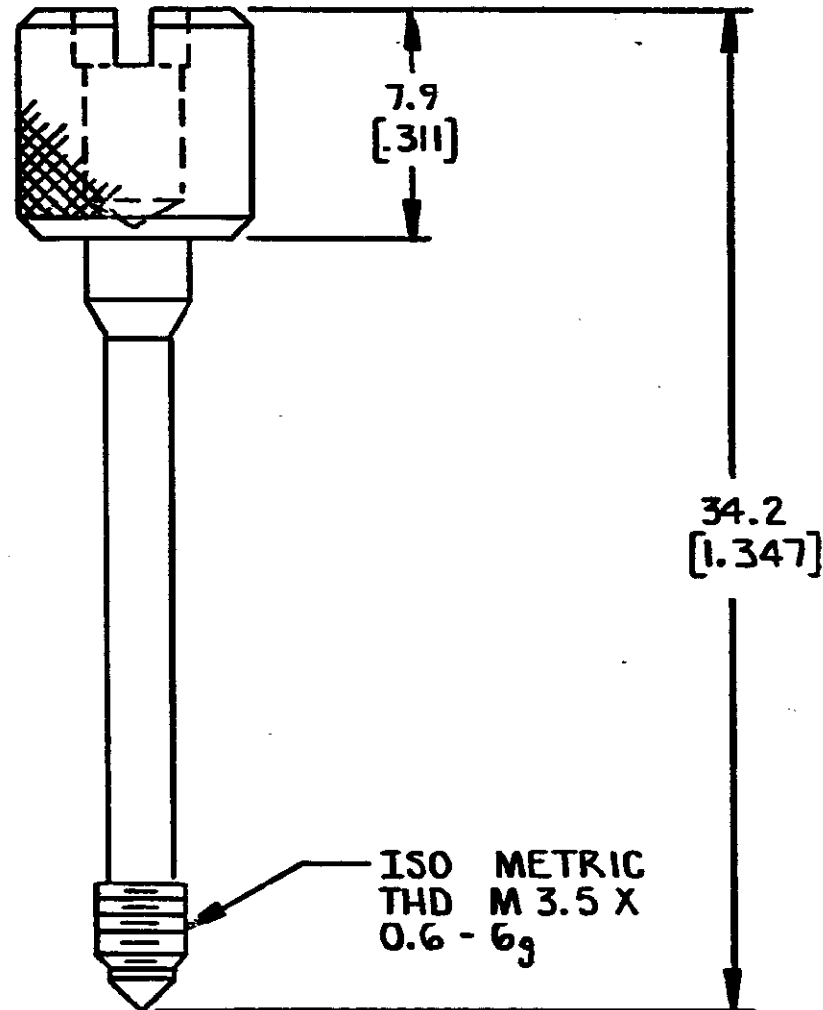
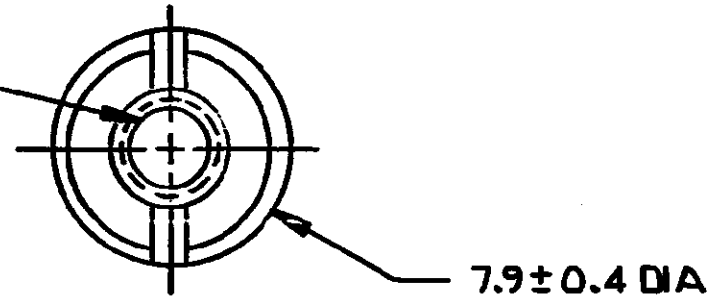


THIS DRAWING IS UNPUBLISHED. RELEASED FOR PUBLICATION . 19 .

© COPYRIGHT 19 BY AMP INCORPORATED, HARRISBURG, PA. ALL INTERNATIONAL RIGHTS RESERVED. AMP PRODUCTS MAY BE COVERED BY U.S. AND FOREIGN PATENTS AND/OR PATENTS PENDING.

REVISIONS						
P	F	ZONE	LTR	DESCRIPTION	DATE	APPROVED
0	✓		C	REV; ECN AA-3115	6-25-86	SD

ISO METRIC
THD M 3.5 X
0.6 - 6H



1. DIMENSIONS IN BRACKETS [] ARE IN INCHES.
2. MATERIAL: BLACK OXIDE COATED CARBON STEEL.
3. ALL DIMENSIONS SHOWN ARE FOR REFERENCE ONLY UNLESS OTHERWISE SPECIFIED.
4. PARTS COATED WITH AMP APPROVED CORROSION PREVENTATIVE.

METRIC

553489-1 AS SHOWN

UNLESS OTHERWISE SPECIFIED DIMENSIONS ARE IN MILLIMETERS TOLERANCES ON: DECIMALS ± # ANGLES ± #			CONTRACT NO DR <i>Stephen Doss</i> 7-16-81		AMP AMP INCORPORATED Harrisburg, Pa.	
MATERIAL 2			CHK <i>MD</i> 7-30-81		NAME JACKSCREW, BACK/BACK, METRIC	
FINISH 2			APRD <i>[Signature]</i> 7-31-81 APRD <i>[Signature]</i> 7-31-81		SIZE B	FSCM NO 00779
			DSGN APPD		DRAWING NO 553489	
			OTHER APPD		SCALE NONE	SHEET 1 OF 1

单击下面可查看定价，库存，交付和生命周期等信息

[>>TE Connectivity\(泰科\)](#)