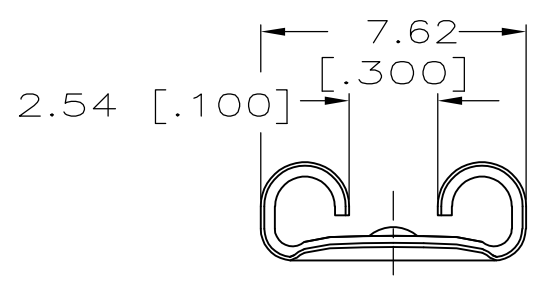
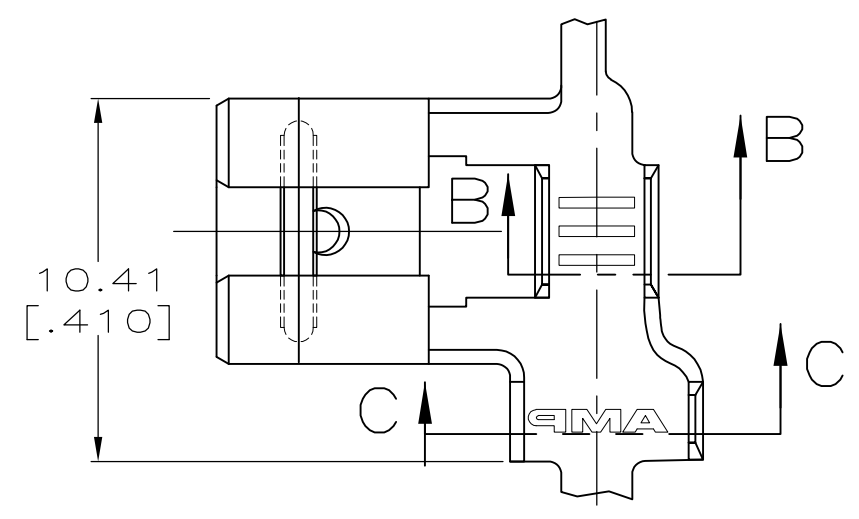
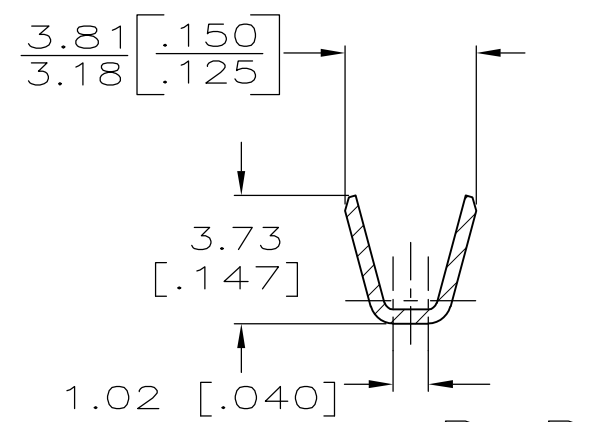


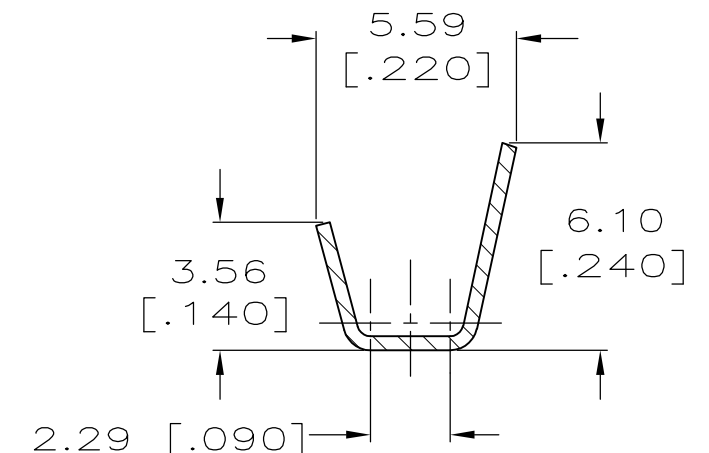
| LOC | | DIST | | REVISIONS | | | | | |
|-----|--|------|--|-----------|-----|---------------------------|---------|-----|------|
| AF | | 50 | | P | LTR | DESCRIPTION | DATE | DWN | APVD |
| | | | | J1 | | REVISED PER ECO-15-000201 | 07JAN15 | JR | PD |



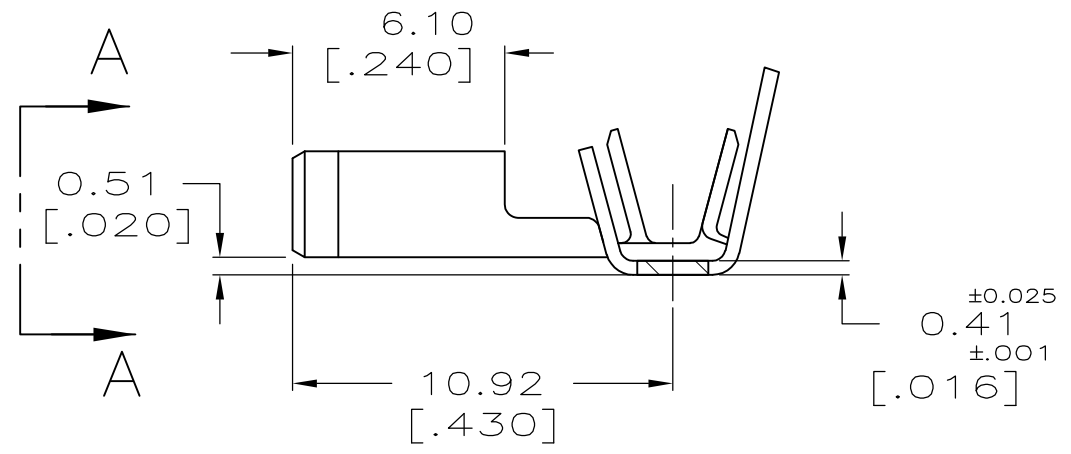
VIEW A-A



SECTION B-B



SECTION C-C



- 1 CONTINUOUS STRIP ON REELS.
- 2 MATING TAB THK IS 0.81±0.025 [.032±.001]
- 3 WIRE SIZE IS [#18-#14] AWG.
- 4 INSULATION RANGE IS 2.79-4.06 [.110-.160] DIA.
- △5 0.00381 [.000150] MIN TIN OVER 0.00254 [.000100] MIN COPPER.
- △6 PRELIMINARY - NOT FOR PRODUCTION

| | | | |
|-----------------|----|----|---------|
| TIN OVER COPPER | △5 | △6 | 63009-3 |
| TIN | | | 63009-2 |
| - | | | 63009-1 |
| FINISH | | | PART NO |

| | | | | | | | | | | | | | | | |
|--|---------------|------------|-----------|---------------|----------------------------|-----|-------|-----|-------|---------------|--------------|-----|--------------|---|------|
| THIS DRAWING IS A CONTROLLED DOCUMENT. | | DWN | JR RUTH | 4/9/91 | STE TE Connectivity | | | | | | | | | | |
| DIMENSIONS: mm [INCHES] | | CHK | MS FEHER | 4/9/91 | | | | | | | | | | | |
| TOLERANCES UNLESS OTHERWISE SPECIFIED: | | APVD | C MEYERS | 4/9/91 | | | | | | | | | | | |
| <table border="0"> <tr><td>0 PLC</td><td>± -</td></tr> <tr><td>1 PLC</td><td>± -</td></tr> <tr><td>2 PLC</td><td>± -</td></tr> <tr><td>3 PLC</td><td>± 0.38 [.015]</td></tr> <tr><td>4 PLC ANGLES</td><td>± -</td></tr> </table> | | 0 PLC | ± - | 1 PLC | | ± - | 2 PLC | ± - | 3 PLC | ± 0.38 [.015] | 4 PLC ANGLES | ± - | PRODUCT SPEC | - | NAME |
| 0 PLC | ± - | | | | | | | | | | | | | | |
| 1 PLC | ± - | | | | | | | | | | | | | | |
| 2 PLC | ± - | | | | | | | | | | | | | | |
| 3 PLC | ± 0.38 [.015] | | | | | | | | | | | | | | |
| 4 PLC ANGLES | ± - | | | | | | | | | | | | | | |
| MATERIAL | BRASS | FINISH | SEE TABLE | WEIGHT | - | | | | | | | | | | |
| CUSTOMER DRAWING | | SIZE | A3 | CAGE CODE | 00779 | | | | | | | | | | |
| | | DRAWING NO | C-63009 | RESTRICTED TO | - | | | | | | | | | | |
| | | SCALE | 5:1 | SHEET | 1 OF 1 | | | | | | | | | | |
| | | REV | J1 | | | | | | | | | | | | |

单击下面可查看定价，库存，交付和生命周期等信息

[>>TE Connectivity\(泰科\)](#)