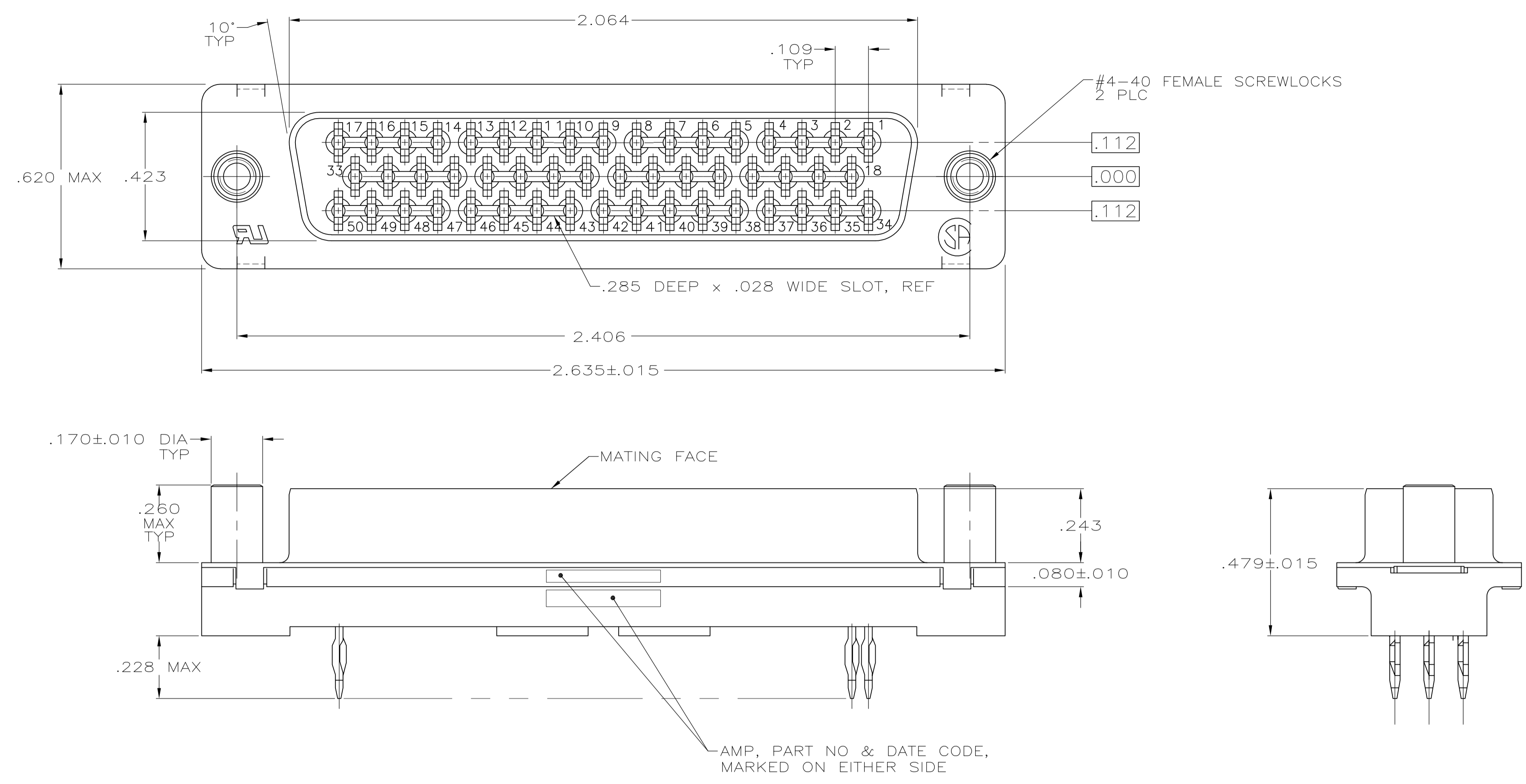


LOC		DIST		REVISIONS			
GP	00	REV	DATE	BY	CHK	APPV	
L	REVISED PER ECO-12-000090		30JAN2012	CJV	SLB		



- 1 FOR USE WITH .093 MINIMUM THICK PRINTED CIRCUIT BOARD. REFER TO APPLICATION SPECIFICATION FOR PRINTED CIRCUIT BOARD LAYOUT DIMENSIONS AND FINISH RECOMMENDATIONS.
- 2 DUPLEX PLATED: GOLD FLASH ON MATING SURFACE, BRIGHT TIN OR BRIGHT TIN LEAD ON COMPLIANT PIN, ALL OVER NICKEL.
- 3 .000030 MINIMUM GOLD IN MATING AREA.  
.000100 MINIMUM TIN OR TIN-LEAD ON COMPLIANT PIN.  
ALL OVER .000050 MINIMUM NICKEL.  
OR  
GOLD FLASH OVER PALLADIUM NICKEL.  
.000030 MINIMUM TOTAL IN MATING AREA.  
.000100 MINIMUM TIN OR TIN-LEAD ON COMPLIANT PIN.  
ALL OVER .000050 MINIMUM NICKEL.
- 4 SHELL: PLATED .0002-.0004 BRIGHT TIN
- 5. NOTE REMOVED
- 6 MATERIAL: HOUSING: FLAME RETARDANT 94V-0 RATED THERMOPLASTIC;  
COLOR: BLACK  
CONTACTS: COPPER ALLOY  
SHELL: CARBON STEEL  
SCREWLOCKS: ZINC ALLOY
- 7 SCREWLOCKS: CLEAR TRIVALENT CHROMATE COATING

OBSOLETE	CONTACT FINISH	747145-2	747145-1
		PART NUMBER	

THIS DRAWING IS A CONTROLLED DOCUMENT. DIMENSIONING AND TOLERANCING PER ASME Y14.5M-2009.

DIMENSIONS: INCHES	TOLERANCES UNLESS OTHERWISE SPECIFIED:	DIN D. HARDY 04-12-94	04-12-94
0 PLC ± -	1 PLC ± -	CHK R. STONE 04-26-94	04-26-94
1 PLC ± -	2 PLC ± -	APPV M. PERCHERKE 04-26-94	04-26-94
2 PLC ± -	3 PLC ± .005	NAME	RCPT ASSY, SIZE 5, 50 POSN, AMPLIMITE HDP, MDM PROFILE, W/ ACTION PIN CONT & METAL SHELL
3 PLC ± -	4 PLC ± -	PRODUCT SPEC	108-40014
4 PLC ± -	ANGLES ± -	APPLICATION SPEC	114-40026
		SIZE	A1
MATERIAL	FINISH	WEIGHT	000779
		CUSTOMER DRAWING	747145

SCALE: 4:1 SHEET 1 OF 1 REV L

单击下面可查看定价，库存，交付和生命周期等信息

[>>TE Connectivity\(泰科\)](#)