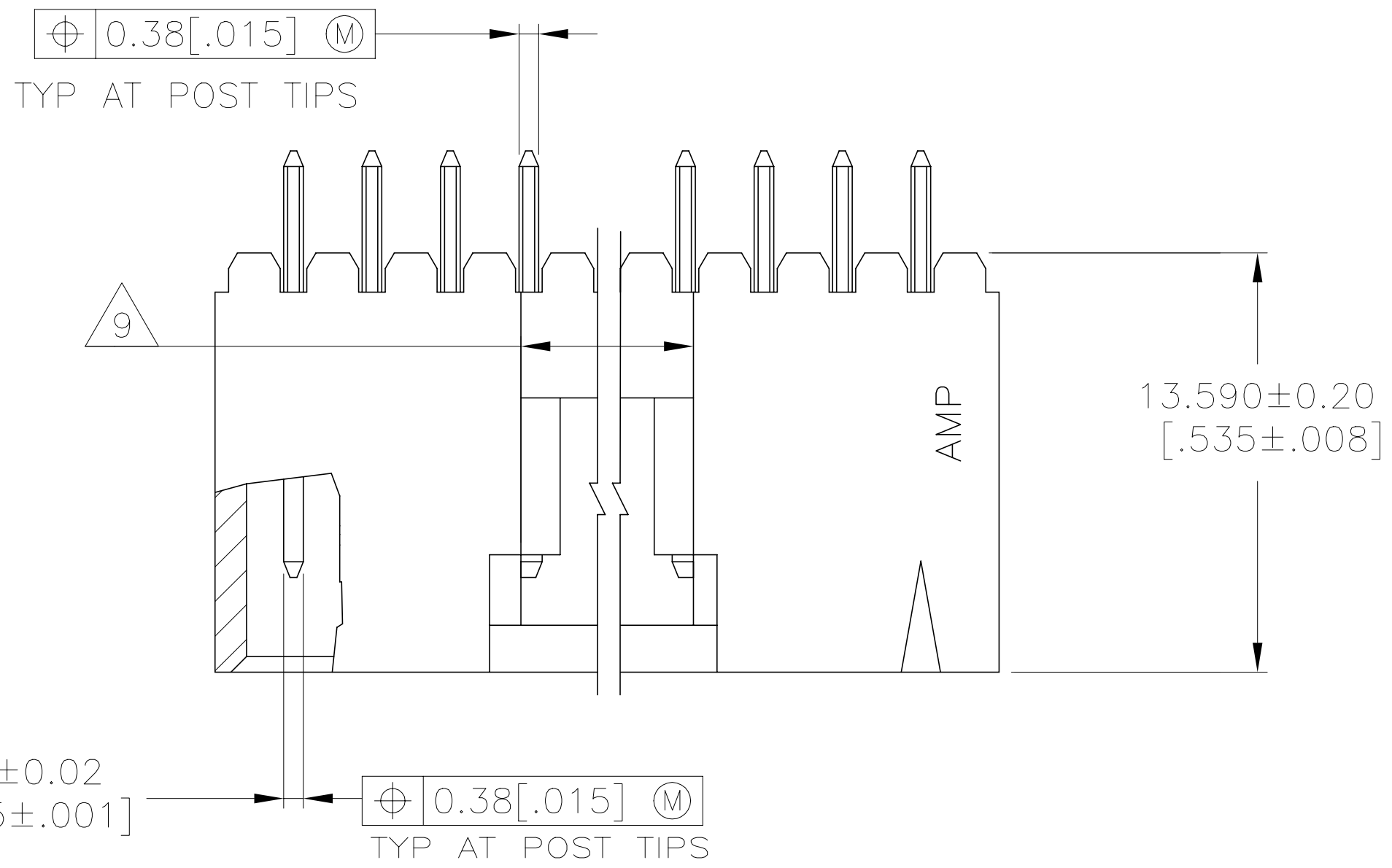
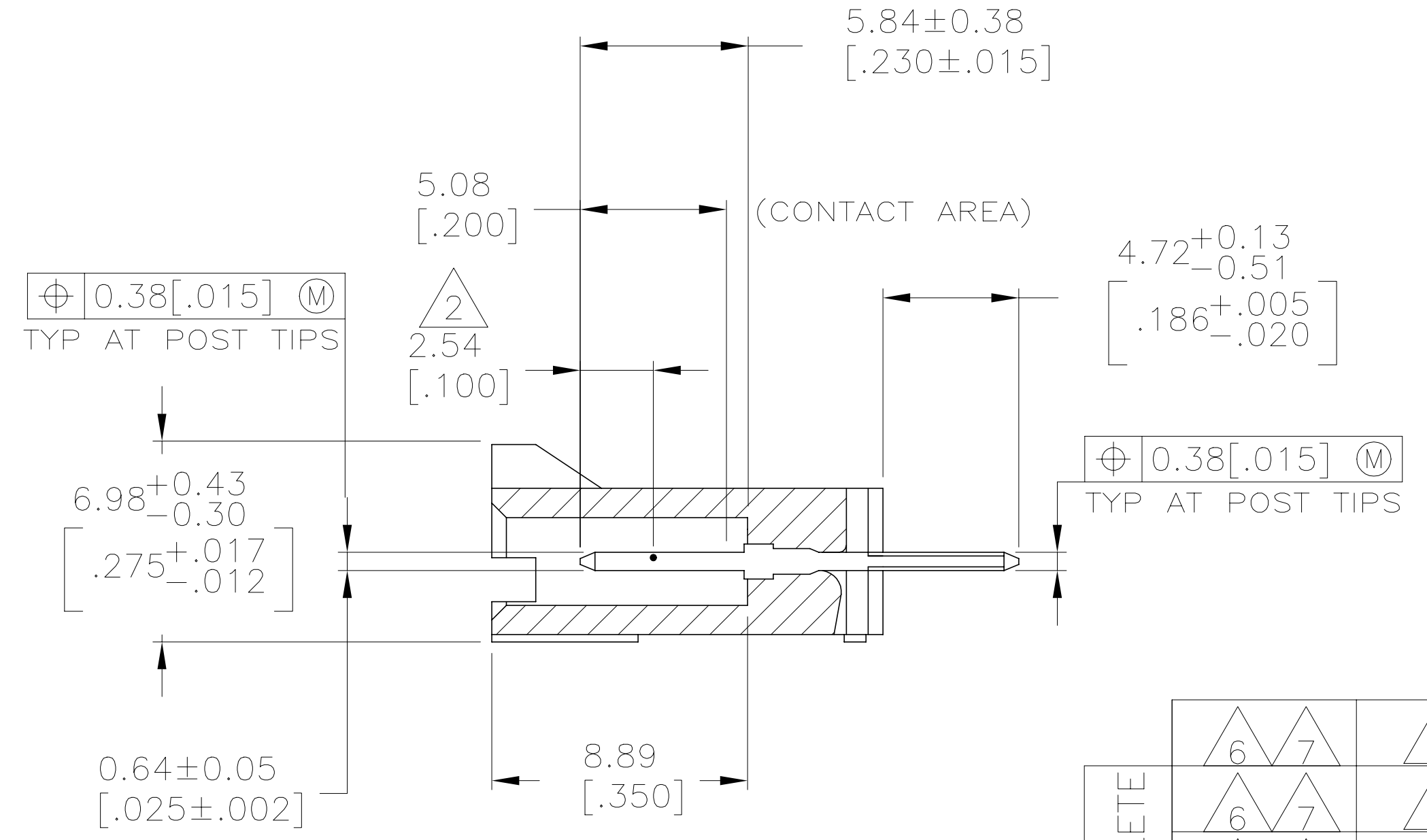
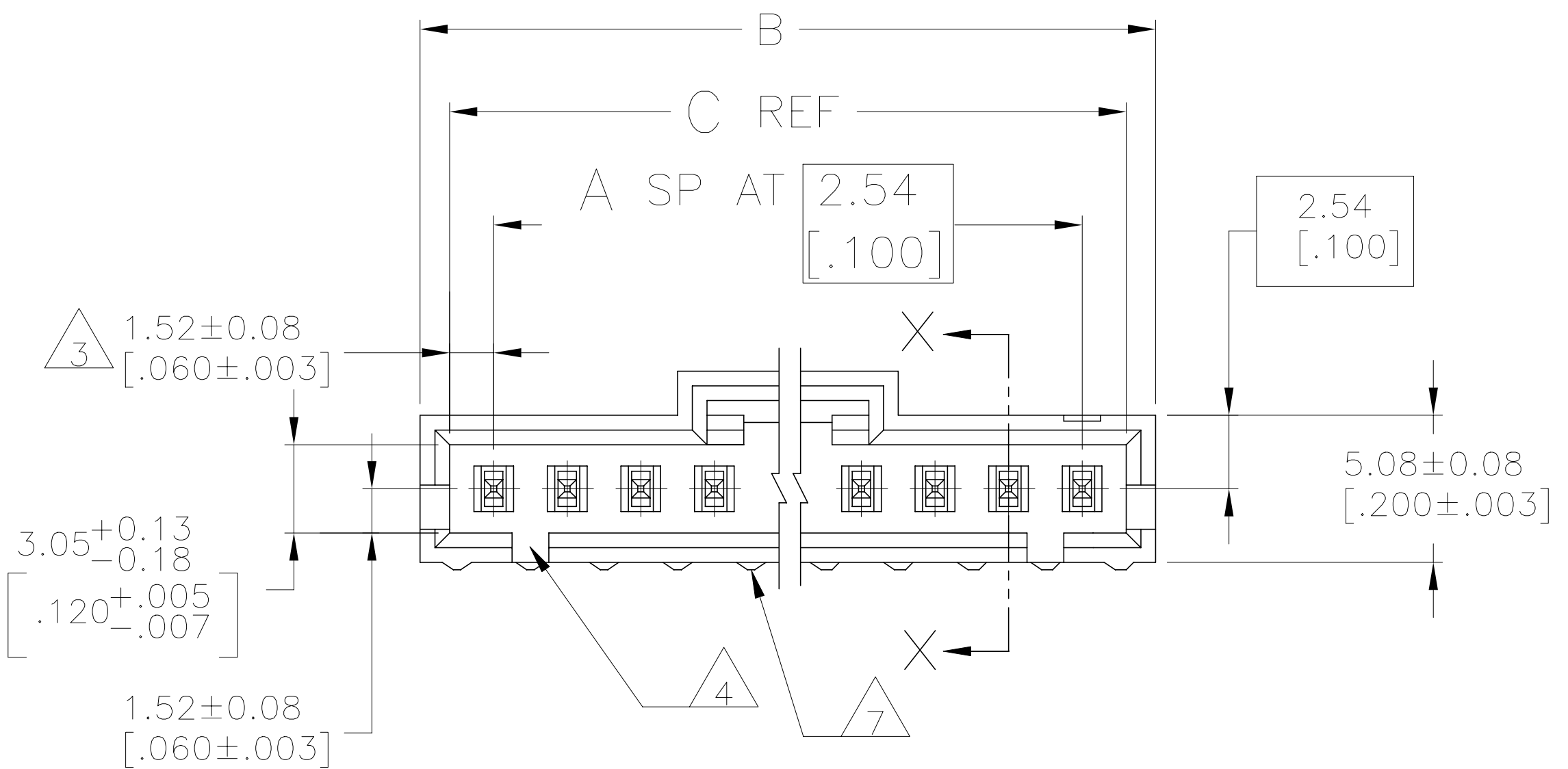


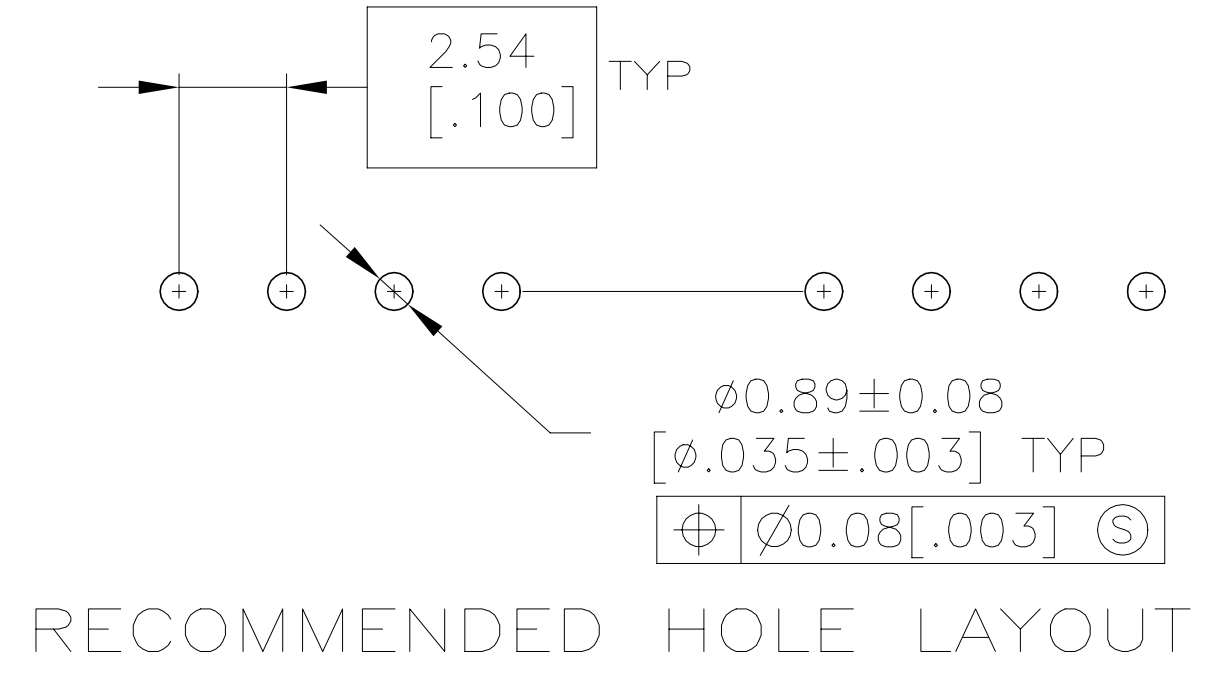
REVISIONS					
P	LTR	DESCRIPTION	DATE	DWN	APVD
K		REVISED PER ECO-20-001327	05JUN2020	SB	JO



- 1 .00254 [.000100] BRIGHT TIN-LEAD OVER
.00127 [.000050] NICKEL.
- 2 POINT OF MEASUREMENT FOR PLATING THICKNESS.
- 3 THE NOTED DIMENSIONS APPLY AT THE INTERSECTION OF THE POST AND THE HOUSING.
- 4 ON ASSEMBLIES WITH FOUR OR MORE POSITIONS, TWO POLARIZATION SLOTS.
ON ASSEMBLIES WITH TWO OR THREE POSITIONS, ONE POLARIZATION SLOT.
- 5 .00254 [.000100] MATTE TIN OVER
.00127 [.000050] NICKEL.
- 6 HIGH TEMPERATURE CONFIGURATION.
- 7 STANDOFF NOT PRESENT ON UNDERSIDE OF ASSEMBLY
- 8 OBSOLETE PARTS: OBSOLETE CIS STREAMLINING PER D.RENAUD/D.SINISI
- 9 0.25 [.010] RECESS PERMISSIBLE IN THIS AREA FOR MOLD SHUT OFF



OBSOLETE	6	7	5	15.75 [.620]	17.65 [.695]	5	6	5-104904-4
	6	7	5	10.67 [.420]	12.57 [.495]	3	4	-5-104904-3
	6	7	5	8.13 [.320]	10.03 [.395]	2	3	-5-104904-2
OBSOLETE	6	7	5	5.59 [.220]	7.49 [.295]	1	2	-5-104904-1
	6	1	5	15.75 [.620]	17.65 [.695]	5	6	104904-4
	6	1	5	10.67 [.420]	12.57 [.495]	3	4	104904-3
OBSOLETE	6	1	5	8.13 [.320]	10.03 [.395]	2	3	104904-2
	6	1	5	5.59 [.220]	7.49 [.295]	1	2	104904-1
	6	1	5	5.59 [.220]	7.49 [.295]	1	2	104904-1
REMARKS	PLATING	C	B	A	NO. OF POSN	PART NO.		



THIS DRAWING IS A CONTROLLED DOCUMENT.

DIMENSIONS: mm [INCHES]

TOLERANCES UNLESS OTHERWISE SPECIFIED:

0 PLC	± -
1 PLC	± -
2 PLC	± 0.13 [.005]
3 PLC	± -
4 PLC	± -
ANGLES	± -

MATERIAL: HOUSING: FLAME RETARDANT LCP COLOR - BLACK CONTACTS: BRASS

FINISH: SEE TABLE

APPROVALS:

DWN	J. HERRINGTON	12-10-93
CHK	J. GESFORD	12-10-93
APVD	J. GESFORD	12-10-93

PRODUCT SPEC: 108-25034

APPLICATION SPEC: 114-25026

WEIGHT: -

CUSTOMER DRAWING

SCALE: 4:1

SHEET: 1 OF 1

REV: K

TE Connectivity

HDR ASSY, VERT, SINGLE ROW
2.54 [.100] CL, 0.64 [.025] SQPOST.
WITH PLZN & LATCHING, AMPMODU MTE

SIZE: A2 CAGE CODE: 00779 DRAWING NO: 104904

单击下面可查看定价，库存，交付和生命周期等信息

[>>TE Connectivity\(泰科\)](#)