

THIS DRAWING IS UNPUBLISHED.

RELEASED FOR PUBLICATION

© COPYRIGHT

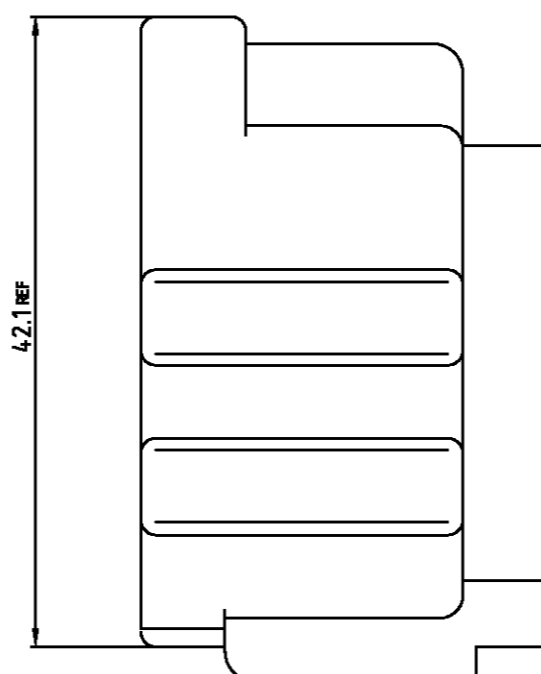
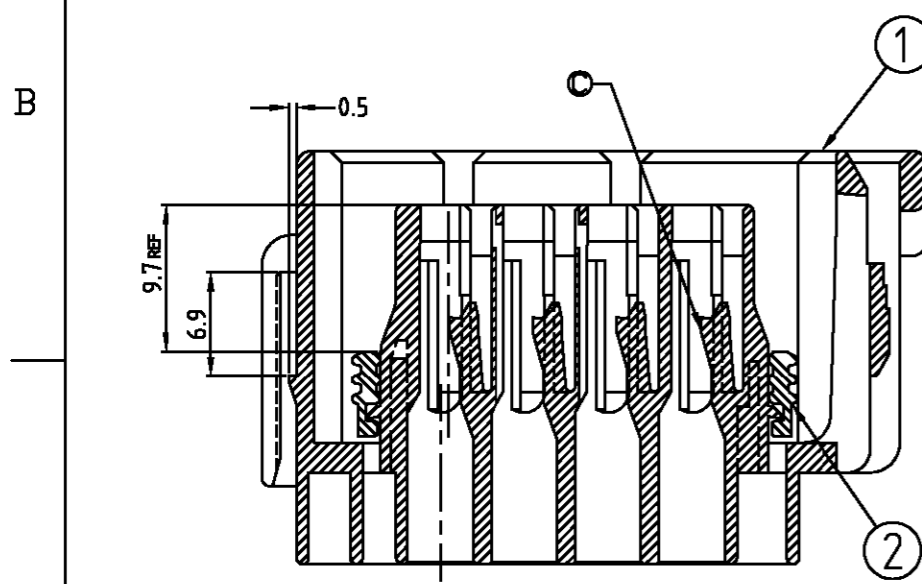
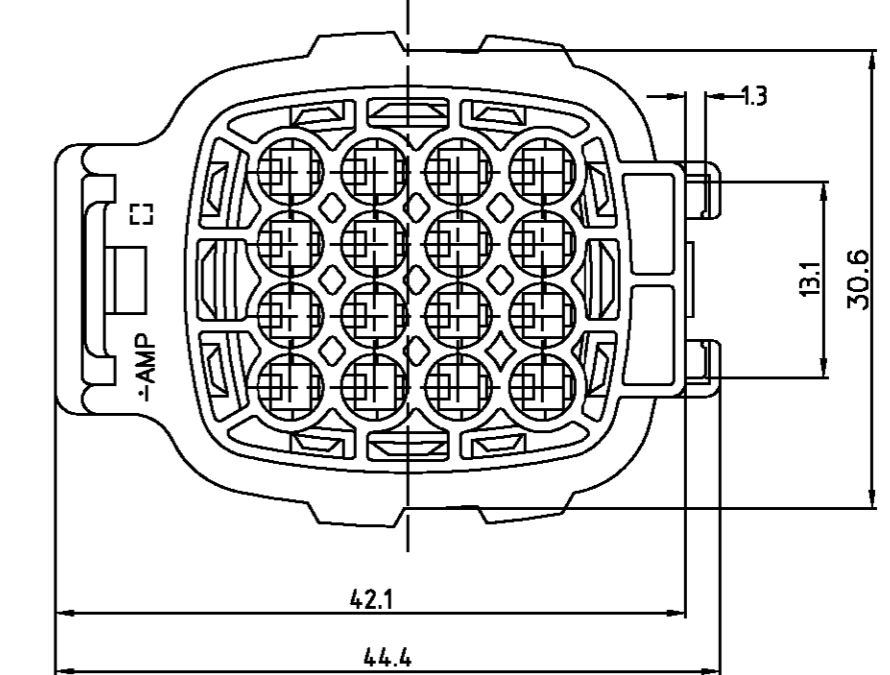
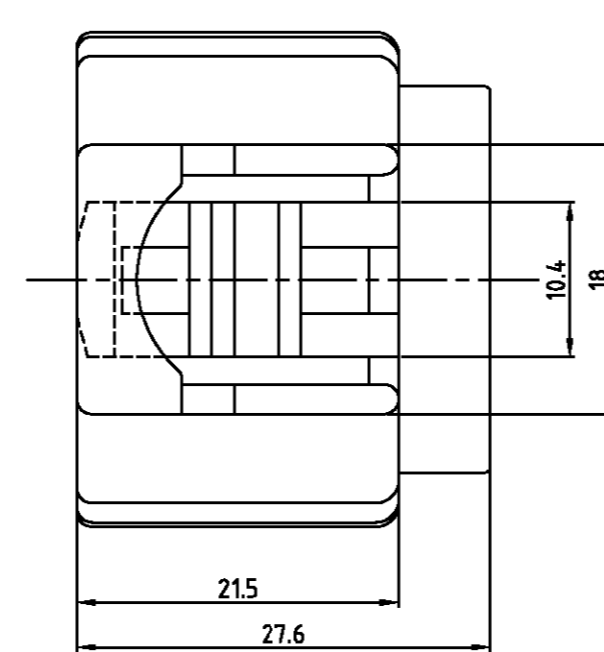
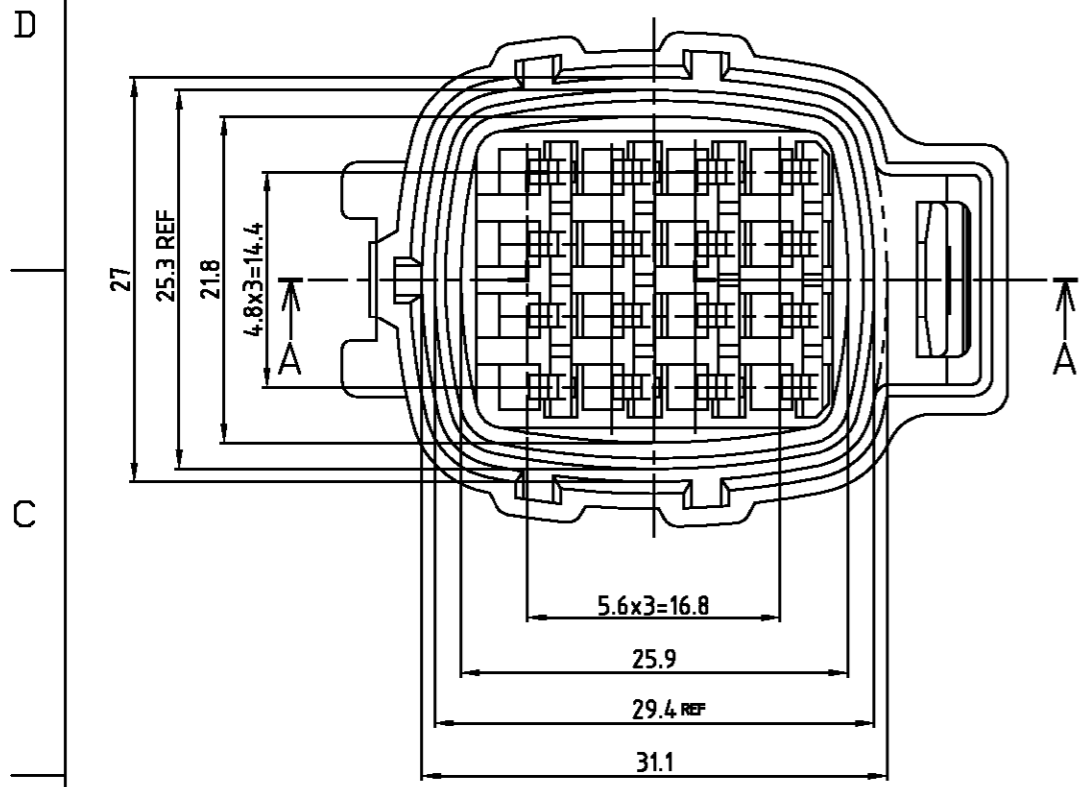
ALL RIGHTS RESERVED.

LOC DS

DIST

REVISIONS

P	LTR	DESCRIPTION	DATE	DWN	APVD
C1		REVISED PER ECO-11-005294	07APR11	RK	HMR



NOTE.

1. FOR CAP HOUSING P/N 368050
2. THIS PART IS COMPOSED OF PLUG HOUSING P/N 368048 AND SEAL RING P/N 368810-1/-4
3. THIS PART MUST BE USED WITH DOUBLE LOCK PLATE P/N 368049
4. APPLICABLE CLIP P/N 368121

NO	PART NO.	DESCRIPTION	MATERIAL	COLOR	REV.	Q'TY PER ASS'Y
2	368810-4	SEAL RING FOR EJ MKII(+) PLUG ASS'Y	SILICONE	BROWN	E	1 1 - -
	368810-1	SEAL RING FOR EJ MKII(+) PLUG ASS'Y	NBR	BLACK	E	- - 1 1
1	368048-3	EJ MKII(+) 16Pos. PLUG HSG	PBT	GRAY	B	1 - 1 -
	368048-1	EJ MKII(+) 16Pos. PLUG HSG	PBT	BLACK	B	- 1 - 1

ASS'Y P/N	Q'TY PER ASS'Y
1-368047-3	1
1-368047-1	1
368047-3	1
368047-1	1

DIMENSIONS: MM		TOLERANCES UNLESS OTHERWISE SPECIFIED:		DWN YH NA			
3rd ANGLE PROJECTION		0 <XX<10 ± 0.2 10<XX<30 ± 0.25 30<XX ± 0.3 ANGLES ± 3°		CHK BH JANG			
MATERIAL SEE TABLE		FINISH		APVD CS LEE		NAME	
				PRODUCT SPEC ---		ECONOSEAL J-MARKII(+) CONNECTOR	
				APPLICATION SPEC ---		16Pos. PLUG HOUSING ASS'Y	
				WEIGHT ---		SIZE A3	
						CAGE CODE 00779	
						DRAWING NO C-368047	
						SCALE 2:1 SHEET 1 OF 1 REV C1	

单击下面可查看定价，库存，交付和生命周期等信息

[>>TE Connectivity\(泰科\)](#)