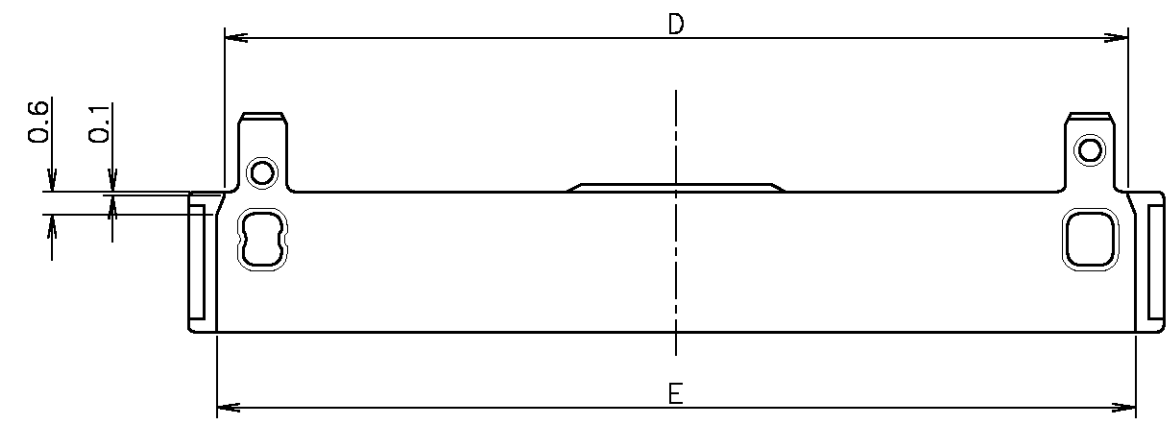
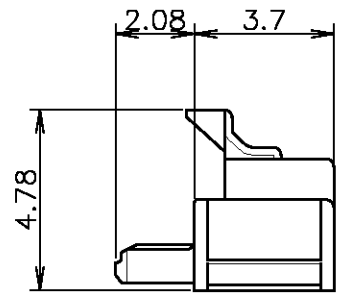
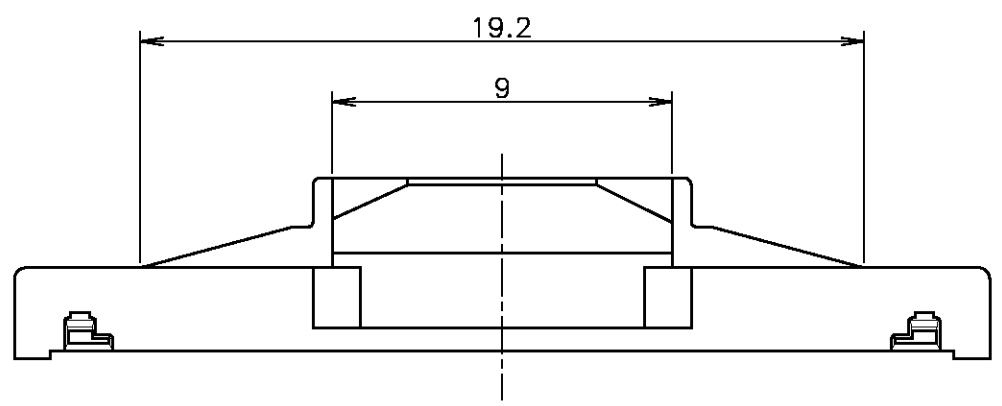
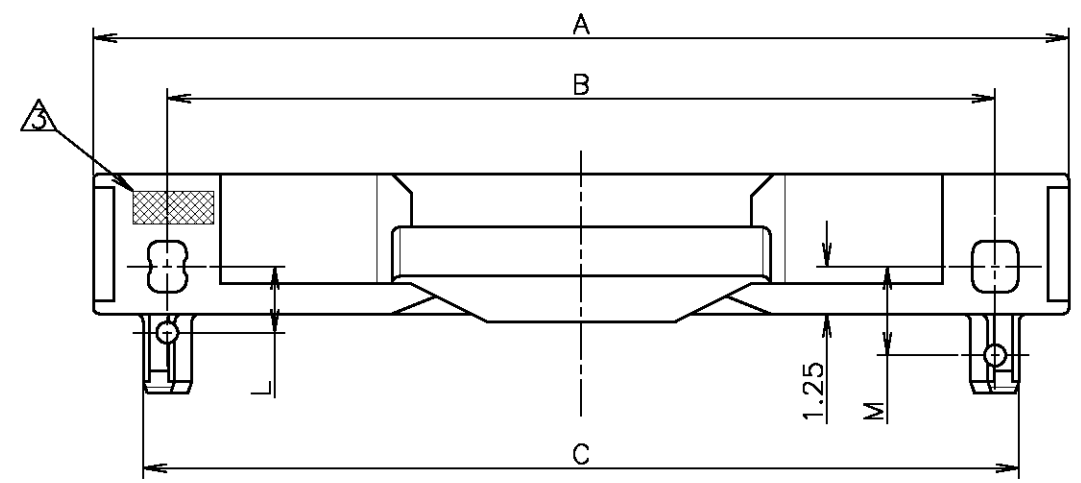


THIS DRAWING IS UNPUBLISHED. RELEASED FOR PUBLICATION
 © COPYRIGHT - By - ALL RIGHTS RESERVED.

LOC	DIST	REVISIONS					
J		P	LTR	DESCRIPTION	DATE	DWN	APVD
		C		REVISED PER ECR-11-002357	05MAY11	TT	TM

NOTE
 1 GENERAL TOLERANCE : ±0.3, ±3°
 △ MATERIAL
 PBT(GRAY, BLACK)
 △ TE LOGO MARK



COLOR	M	L	E	D	C	B	A	POS	PART NUMBER	NAME
BLACK	1.75	2.35	24.3	23.9	23.16	21.9	25.8	40	1871339-3	COVER B-40 REVERSE TYPE
GRAY	2.35	1.75	44.3	43.9	43.16	41.9	45.8	80	1871339-2	COVER B-80 NORMAL TYPE
GRAY	2.35	1.75	24.3	23.9	23.16	21.9	25.8	40	1871339-1	COVER B-40 NORMAL TYPE

1871339-1,-3:AS SHOWN

THIS DRAWING IS A CONTROLLED DOCUMENT.

DIMENSIONS: 単位: 耗 mm	TOLERANCES UNLESS OTHERWISE SPECIFIED: 一般公差	DWN T.SEKINE 25MAY05	STE TE Connectivity			
		CHK T.FUTATSUGI 30NOV05				
		APVD Y.YAMAMOTO 30NOV05	NAME 名称 FFC EASY MATING CONNECTOR, 0.5mm PITCH COVER B			
		PRODUCT SPEC 製品規格 108-78322				
		APPLICATION SPEC 取付適用規格 411-78220				
MATERIAL 材料	FINISH 仕上	WEIGHT	SIZE A3	CAGE CODE 00779	DRAWING NO 番号 C-1871339	RESTRICTED TO
CUSTOMER DRAWING		SCALE 尺度 5:1	SHEET 1 OF 3	REV C		

4

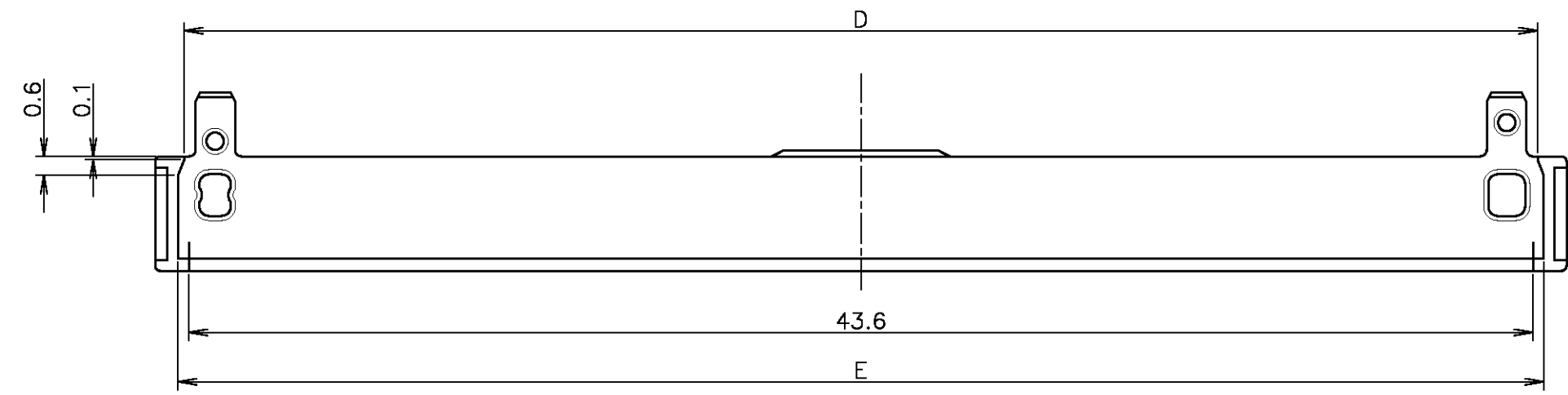
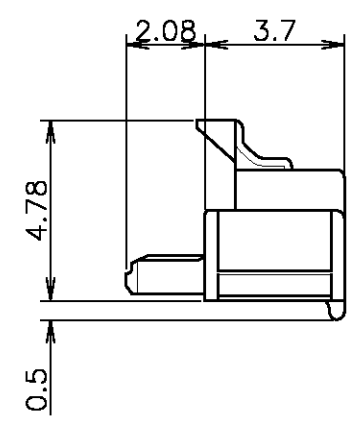
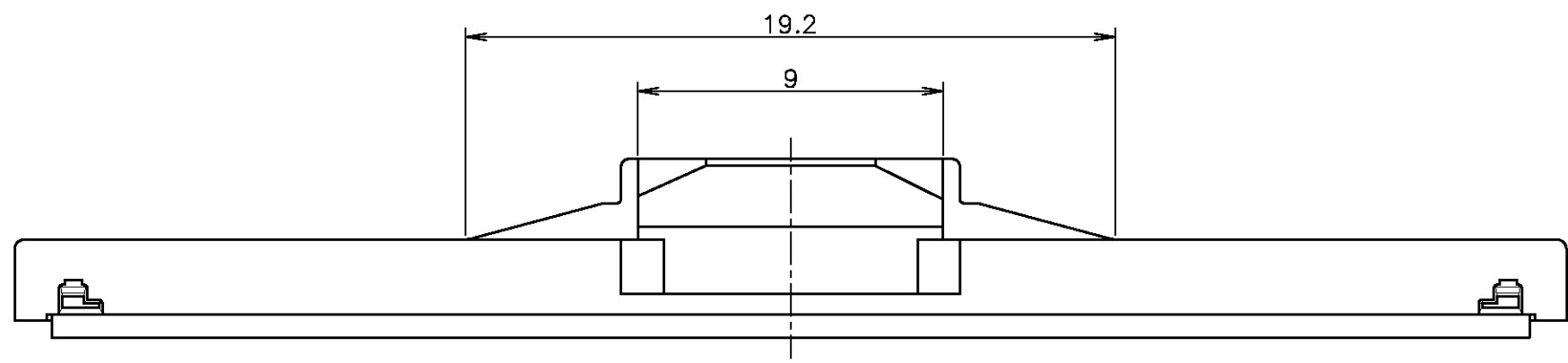
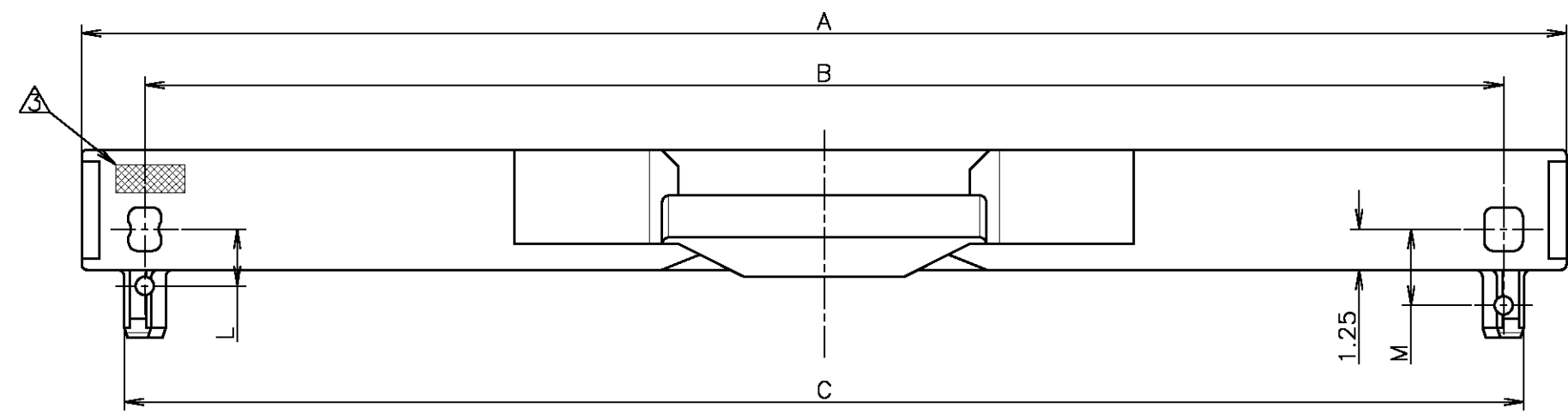
3

2

1

THIS DRAWING IS UNPUBLISHED. RELEASED FOR PUBLICATION
 © COPYRIGHT - By - ALL RIGHTS RESERVED.

LOC J	DIST	REVISIONS 変更		
P	LTR	DESCRIPTION	DATE	APVD
-	-	SEE SHEET 1	-	-

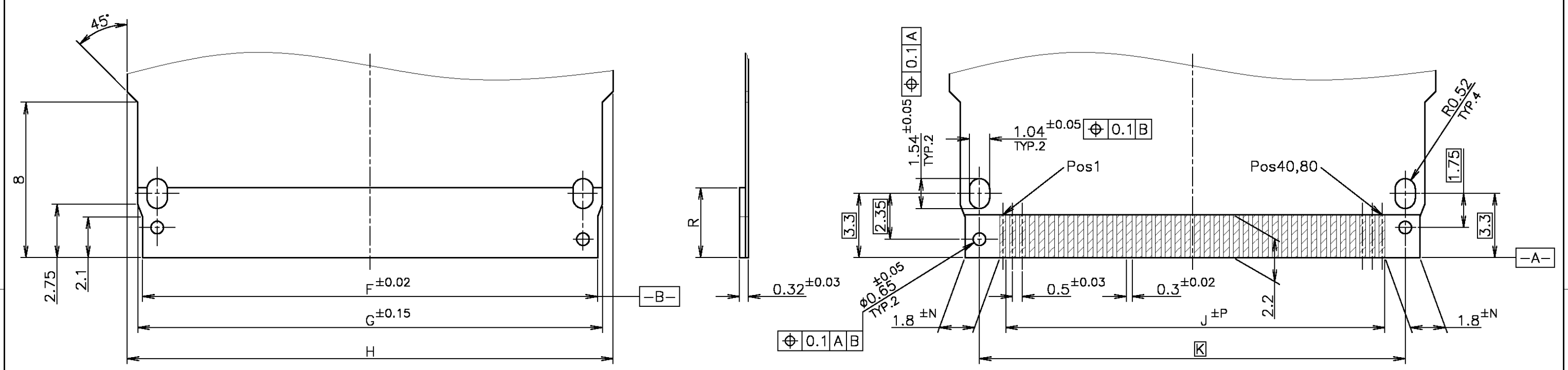


1871339-2:AS SHOWN

THIS DRAWING IS A CONTROLLED DOCUMENT.		DWN	STE TE Connectivity	
DIMENSIONS: 单位: 耗 mm		CHK		
TOLERANCES UNLESS OTHERWISE SPECIFIED: 一般公差		APVD	NAME 名称 FFC EASY MATING CONNECTOR,0.5mm PITCH COVER B	
0 PLC ±		PRODUCT SPEC 製品規格	SIZE	
1 PLC ±		APPLICATION SPEC 取付適用規格	CAGE CODE	DRAWING NO 番号
2 PLC ±		WEIGHT	A3	00779
3 PLC ±		CUSTOMER DRAWING		
4 PLC ±		SCALE 5:1		
ANGLES ±		SHEET 2 OF 3		
FINISH 仕上		REV C		
MATERIAL 材料		RESTRICTED TO		
		C-1871339		

THIS DRAWING IS UNPUBLISHED. RELEASED FOR PUBLICATION
 © COPYRIGHT - By - ALL RIGHTS RESERVED.

LOC	DIST	REVISIONS		
J		P	LTR	DESCRIPTION
		-		SEE SHEET 1
				DATE
				DWN
				APVD



FFC DIMENSION

FINISH	R	P	N	K	J	H	G	F	POS
Ni UNDER PLATE	2.75MIN	0.05	0.07	21.9	19.5	25	23.9	23.4	40
Au PLATE	3.6±0.85	0.06	0.06	41.9	39.5	45	43.9	43.4	80

THIS DRAWING IS A CONTROLLED DOCUMENT.		DWN	TE Connectivity NAME 名称 FFC EASY MATING CONNECTOR,0.5mm PITCH COVER B				
DIMENSIONS: 单位: 耗 mm		CHK					
TOLERANCES UNLESS OTHERWISE SPECIFIED: 一般公差		APVD					
0 PLC ± 1 PLC ± 2 PLC ± 3 PLC ± 4 PLC ± ANGLES ±		PRODUCT SPEC 製品規格					
MATERIAL 材料	FINISH 仕上	WEIGHT	APPLICATION SPEC 取付適用規格	SIZE A3	CAGE CODE 00779	DRAWING NO 番号 C-1871339	RESTRICTED TO
CUSTOMER DRAWING			SCALE 尺度 5:1	SHEET 3 OF 3	REV C		

单击下面可查看定价，库存，交付和生命周期等信息

[>>TE Connectivity\(泰科\)](#)