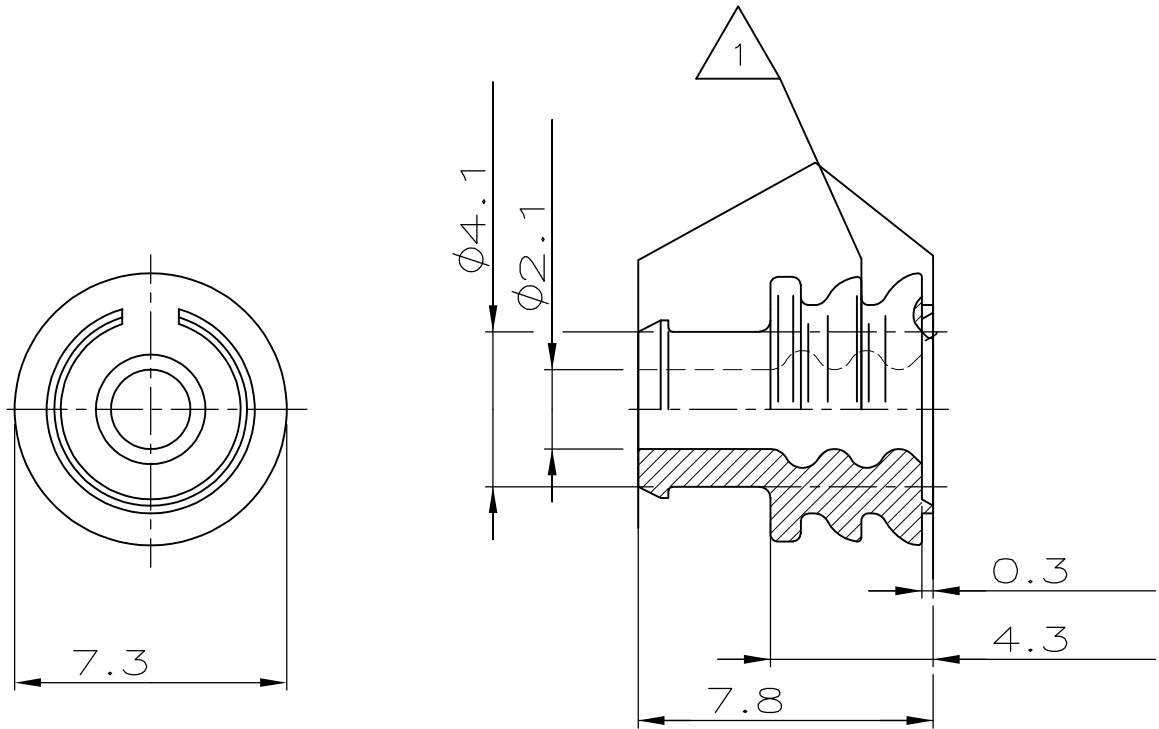


MATED WITH: PASSEND ZU: -	LOC A1	DIST -	REVISIONS					
			P	LTR	DESCRIPTION	DATE	DWN	APVD
PROJECT NR.: 87-9187			D8		REVISED PER ECR-11-025934	29DEC11	RK	HMR



Bemerkungen

NOTES

- 1 Werkzeugtrenngrat max. 0.5 hoch und 0.02 dick zulässig  
(sonst kein Grat zulässig)  
BURRS MAX. 0.5 HIGH AND 0.02 THICK PERMITTED  
(NO BURRS ELSE PERMITTED)
- 2 Einzelheiten der Ausführung bleiben dem Hersteller überlassen  
DETAILS OF DESIGN ARE LEFT TO MANUFACTURER
- 3 Passend für Kammer:  $\phi 6.4\text{mm}$   
SUITABLE FOR CAVITY:  $\phi 6.4\text{mm}$
- 4 Passend für Isolationsdurchmesser: 3 - 3.7mm  
SUITABLE FOR INSULATION DIAMETER: 3 - 3.7mm
- 5 Bestückungshilfe für Einzelleiterabdichtung siehe: TE CONNECTIVITY:965702  
INSERTER FOR SINGLE WIRE SEAL SEE :
- 6 Keine Luftlöcher zulässig  
NO AIR BUBBLES PERMITTED



M 1:1

(D6)

RELEASED FOR PUBLICATION

ALL RIGHTS RESERVED.

THIS DRAWING IS UNPUBLISHED.

COPYRIGHT -- By --

DIMENSIONS: mm	DWN P. Gaupp 17 APR 97	MATERIAL -	FINISH -											
	CHK D. Kuempel 21 APR 97	TE Connectivity												
TOLERANCES UNLESS OTHERWISE SPECIFIED: <table border="1"> <tr><td>0 PLC</td><td>±</td></tr> <tr><td>1 PLC</td><td>± -</td></tr> <tr><td>2 PLC</td><td>± -</td></tr> <tr><td>3 PLC</td><td>± -</td></tr> <tr><td>4 PLC</td><td>± -</td></tr> <tr><td>ANGLES</td><td>± -</td></tr> </table>	0 PLC			±	1 PLC	± -	2 PLC	± -	3 PLC	± -	4 PLC	± -	ANGLES	± -
0 PLC	±													
1 PLC	± -													
2 PLC	± -													
3 PLC	± -													
4 PLC	± -													
ANGLES	± -													
PRODUCT SPEC 108-18263-1	NAME 2.5mm System, Einzeldichtung 2.5MM SYSTEM, SINGLE WIRE SEAL													
APPLICATION SPEC 114-18031	SIZE A4	CAGE CODE 00779	DRAWING NO C-828985	RESTRICTED TO -										
WEIGHT -	CUSTOMER DRAWING													
SCALE 5:1		SHEET 1 OF 1		REV D8										

单击下面可查看定价，库存，交付和生命周期等信息

[>>TE Connectivity\(泰科\)](#)