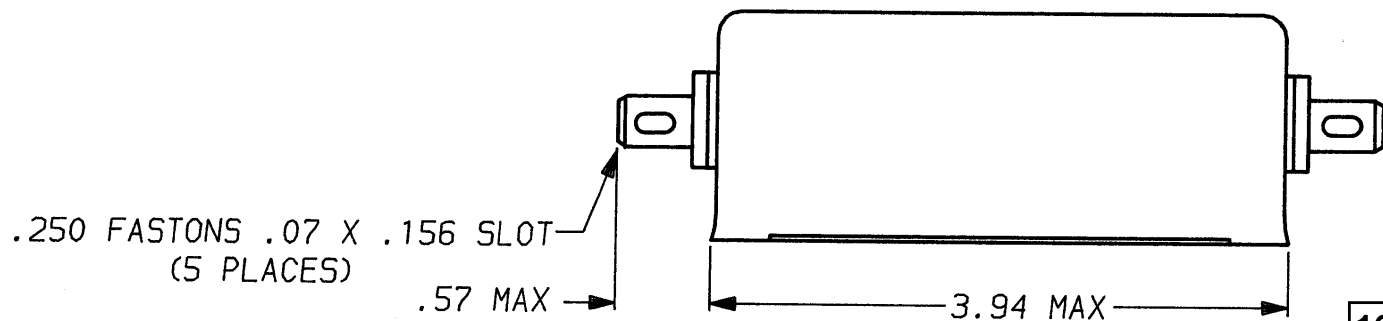
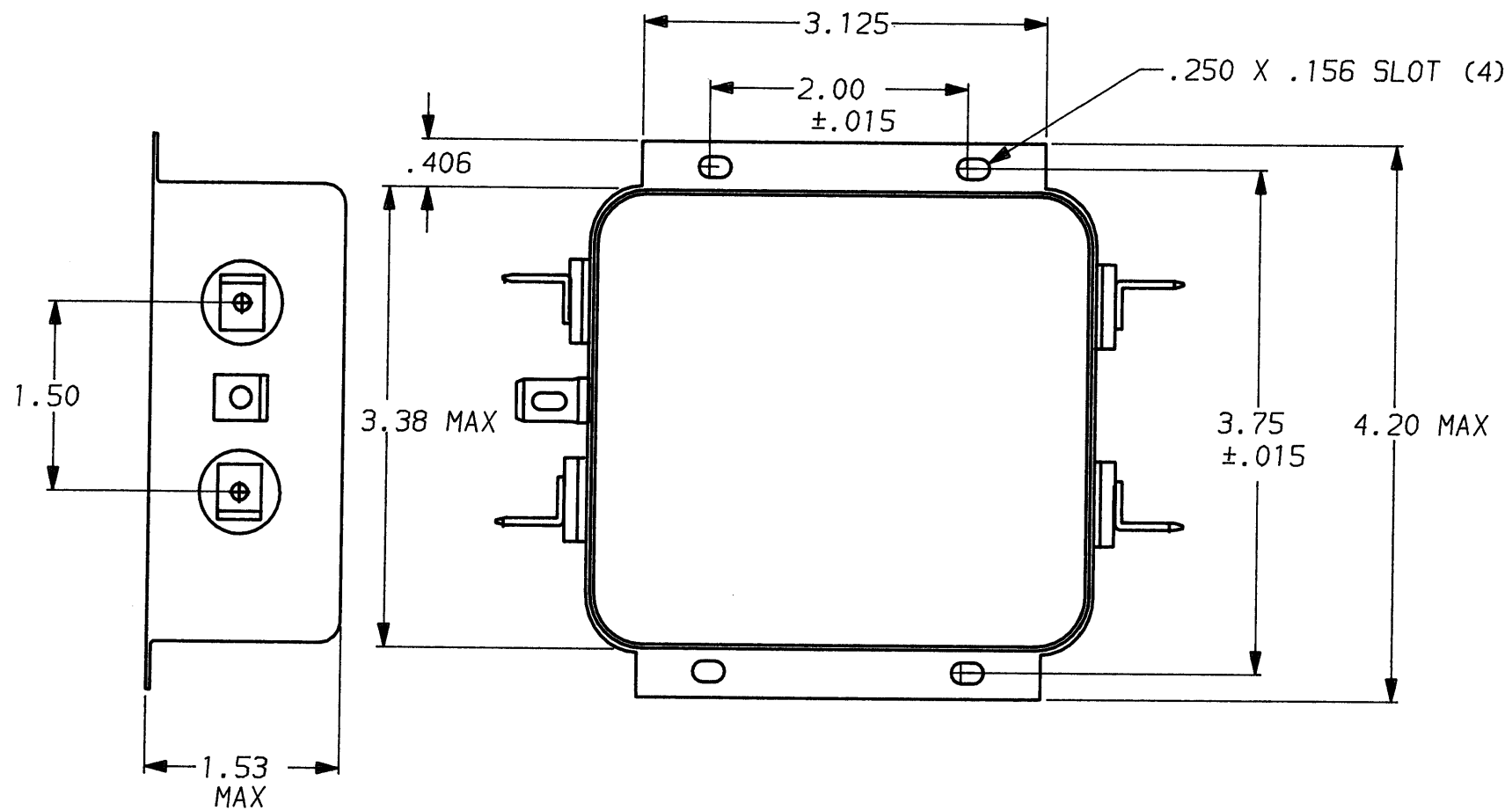


DESCRIPTION	APPROVED BY	DATE	REV
	C. West	8-2-80	3
ECO-09-026495	AEG	10DEC09	4



1609041-4 OBSOLETE

6609041-4

OBSOLETE PARTS: OBSOLETE CIS STREAMLINING PER D.RENAUD/D.SINISI

SAFETY ORGANIZATION(S):
 THIS FILTER HAS BEEN FORMALLY RECOGNIZED, CERTIFIED OR APPROVED BY THE LISTED AGENCY. THEREFORE, ALL TEST/REQUIREMENTS SPECIFIED IN THE LATEST REVISION OF THE FOLLOWING AGENCY STANDARDS HAVE BEEN MET:

UL RECOGNIZED: UL 1283

OPERATING SPECIFICATIONS:
 LINE VOLTAGE/CURRENT: 20 AMP., 120/250 VAC

LINE FREQUENCY: 50-60Hz
 MAX. CASE RISE @ RATED CURRENT: 40°C
 MAX. LEAKAGE CURRENT, EACH LINE TO GROUND: .5mA at 120V 60 Hz
 1.0 mA at 250V 50 Hz
 OPERATING AMBIENT TEMP. RANGE: -10°C TO +40°C @ RATED CURRENT, I_r

IN AN AMBIENT, T_a, HIGHER THAN 40°C, THE MAXIMUM OPERATING CURRENT, I_o, IS AS FOLLOWS:

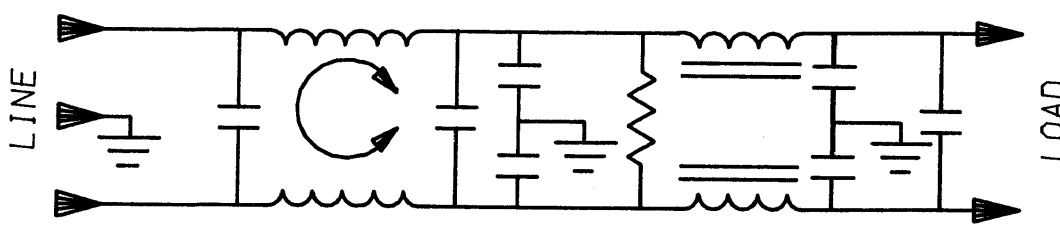
$$I_o = I_r \sqrt{\frac{85 - T_a}{45}}$$

RELIABILITY SPECIFICATIONS:
 STORAGE TEMPERATURE: -40°C TO +85°C
 HUMIDITY: 21 DAYS @ 40°C 95% RH
 CURRENT OVERLOAD TEST: 6 TIMES RATED CURRENT FOR 8 SECONDS

TEST SPECIFICATIONS:
 INDUCTANCE: .99 mH NOMINAL
 CAPACITANCE: (MEASURED @ 1 KHz, 0.25 VAC MAX., 25°C ±1°C)
 LINE TO GROUND: .013µF ±20%
 LINE TO LINE: .813µF ±20%
 DISCHARGE RESISTOR: 10 MΩ
 LINE/GROUND AND LINE/LINE INSULATION RESISTANCE: 6000 MΩ (MIN) AT 100 VDC 20°C AND 50% RH

RECOMMENDED RECEIVING INSPECTION HIPOT:
 LINES TO GROUND: 2250 VDC FOR 1 MINUTE
 LINE TO LINE: 1450 VDC FOR 1 MINUTE

FILTER APPROVAL:
 THE BEST WAY TO SELECT AND QUALIFY A FILTER IS FOR YOUR ENGINEERING TO TEST THE UNIT IN YOUR EQUIPMENT.



50n - 50n (MINIMUM) INSERTION LOSS								
FREQUENCY MHz	.15	.5	1	2	5	10	20	30
COMMON dB	13	30	35	48	65	65	57	53
DIFF. dB	28	65	65	65	65	65	65	65

This document is proprietary to CORCOM INC. and is not to be reproduced nor used for manufacturing purposes except on CORCOM's order or prior written consent.

TOLERANCE EXCEPT AS NOTED
 DECIMAL: .XXX .XX .X ANGLES ± 1°
 ENGLISH: ±.025
 METRIC: ± —

MATERIAL: AS SUPPLIED

FINISH: AS SUPPLIED

corcom
 LIBERTYVILLE, IL 60048

POWER LINE FILTER

SCALE: NTS DATE: 9-12-89 DRG. NO.: 20W1.4 REV.: 4
 DRW. BY: TDL ORIGINATOR: CW

单击下面可查看定价，库存，交付和生命周期等信息

[>>TE Connectivity\(泰科\)](#)