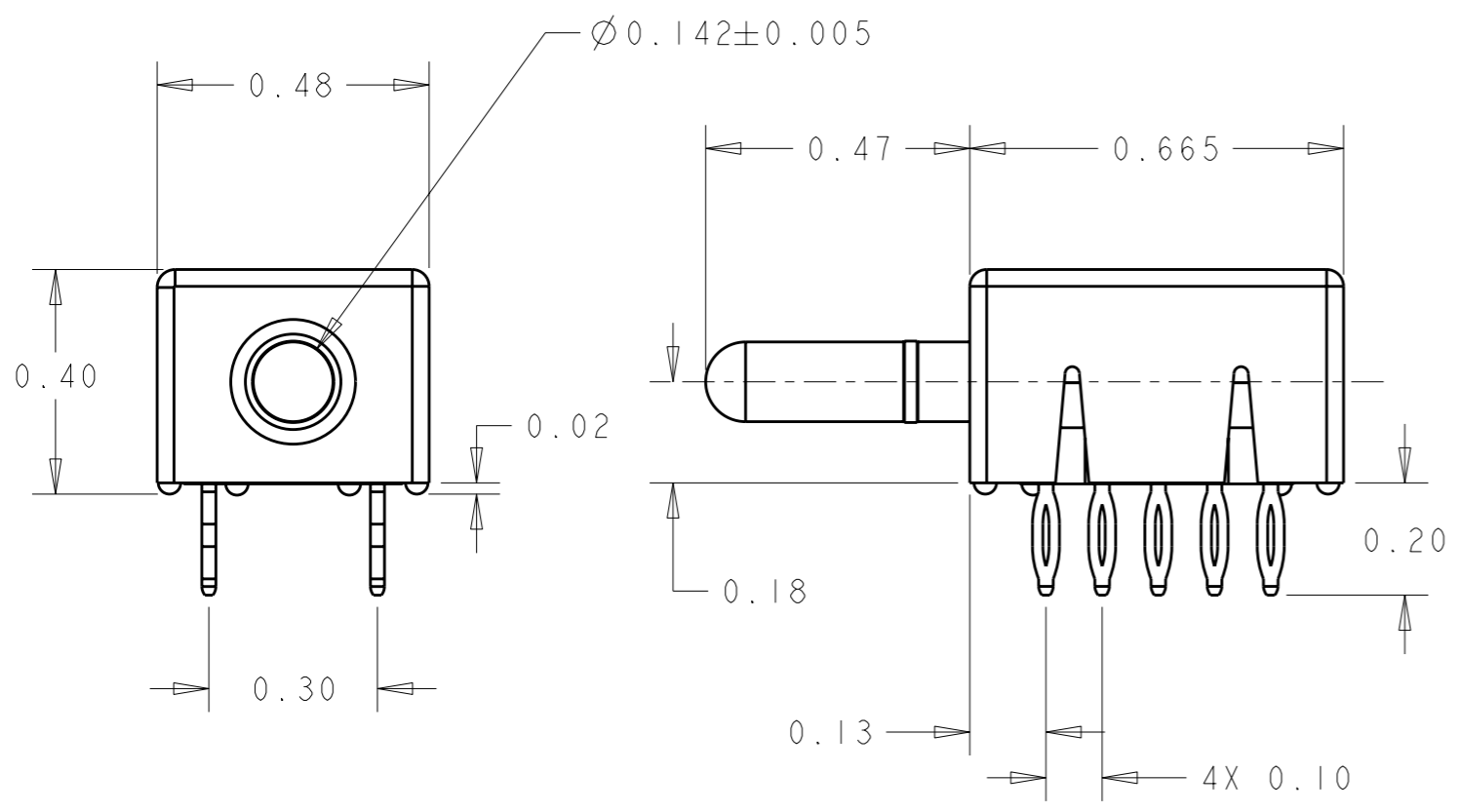


THIS DRAWING IS UNPUBLISHED. RELEASED FOR PUBLICATION 20
 © COPYRIGHT 20 BY TYCO ELECTRONICS CORPORATION. ALL RIGHTS RESERVED.

LOC		DIST		REVISIONS			
P	LTR	DESCRIPTION		DATE	DWN	APVD	
-	-	A		NEW RELEASE	24OCT2008	CR	DO
		B		REV PER ECO-10-020184	11JAN2011	RG	NE
		C		REV PER ECO-11-007678	11MAY2011	RG	DO

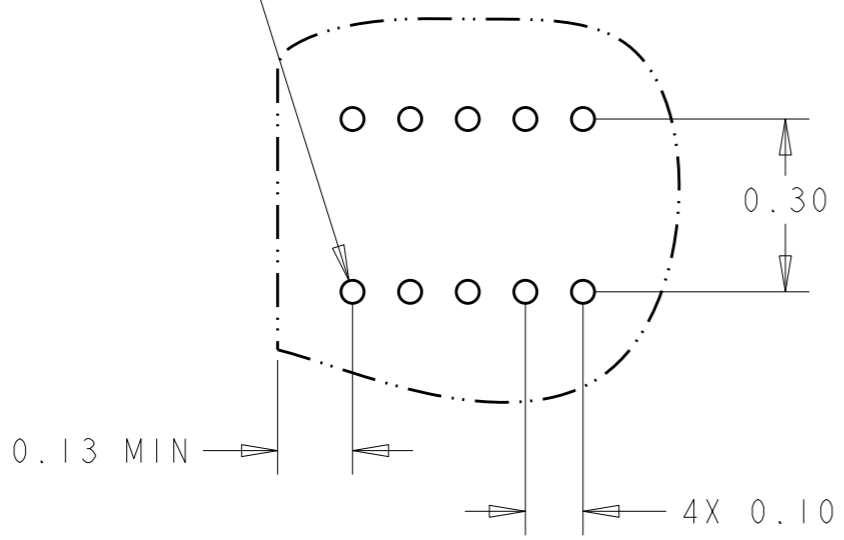


- PART NUMBER CHANGES AND/OR DESIGN CHANGES AFFECTING INTERCHANGEABILITY REQUIRE PRIOR TYCO ELECTRONICS APPROVAL AND AUTHORIZATION BY REVISION TO THIS DRAWING
- ITEMS PROVIDED TO THIS SPECIFICATION TO BE PERMANENTLY IDENTIFIED PER THE FOLLOWING IDENTIFIER LABEL

YEAR 11 WEEK 06
 TYCO ELECTRONICS P/N: XXXXXXXX-X
 DATE CODE (e.g. 0106): XXXX

- MATERIALS:
 - INSULATOR: POLYESTER
 - MODULE: ZINC ALLOY
 - COMPLIANT PINS: PHOSPHOR BRONZE
 - CROWN BAND: COPPER ALLOY
 - CONTACT: BRASS ALLOY
- FINISHES:
 - INSULATOR: COLOR BLACK
 - MODULE: .0002 MIN THK. SILVER
 - OVER .00004 MIN. THK. NICKEL
 - COMPLIANT PINS: .0002 MIN THK. SILVER
 - OVER .00004 MIN. THK. NICKEL
 - CROWN: .000040 MIN THKGOLD (IN CONTACT AREA)
 - OVER .00004 MIN. THK. NICKEL
 - CONTACT PIN: .0002 MIN THK. SILVER
 - OVER .00004 MIN. THK. NICKEL

0.04 DRILLED HOLE $\varnothing .0453 \pm .001$
 AFTER PLATING $\varnothing .043 / .037$, 10X



AS SHOWN	6643273-1
DESCRIPTION	PART NO.

THIS DRAWING IS A CONTROLLED DOCUMENT FOR TYCO ELECTRONICS CORPORATION. IT IS SUBJECT TO CHANGE AND THE CONTROLLING ENGINEERING ORGANIZATION SHOULD BE CONTACTED FOR THE LATEST REVISION.		DWN	C. ROHLER	24OCT2008	Tyco Electronics Harrisburg, PA 17105-3608				
DIMENSIONS: INCHES		CHK	D. ORRIS	24OCT2008					
TOLERANCES UNLESS OTHERWISE SPECIFIED:		APVD	M. PERCHERKE	24OCT2008					
0 PLC ±- 1 PLC ±- 2 PLC ±.02 3 PLC ±.010 4 PLC ±- ANGLES ±.5		PRODUCT SPEC	-	-					
MATERIAL -		FINISH -	APPLICATION SPEC -		NAME	IC CON SOCKET PARALLEL COMPLIANT PIN LOCKING			
CUSTOMER DRAWING		SCALE	3:1	SHEET	1	OF	1	REV	C

单击下面可查看定价，库存，交付和生命周期等信息

[>>TE Connectivity\(泰科\)](#)