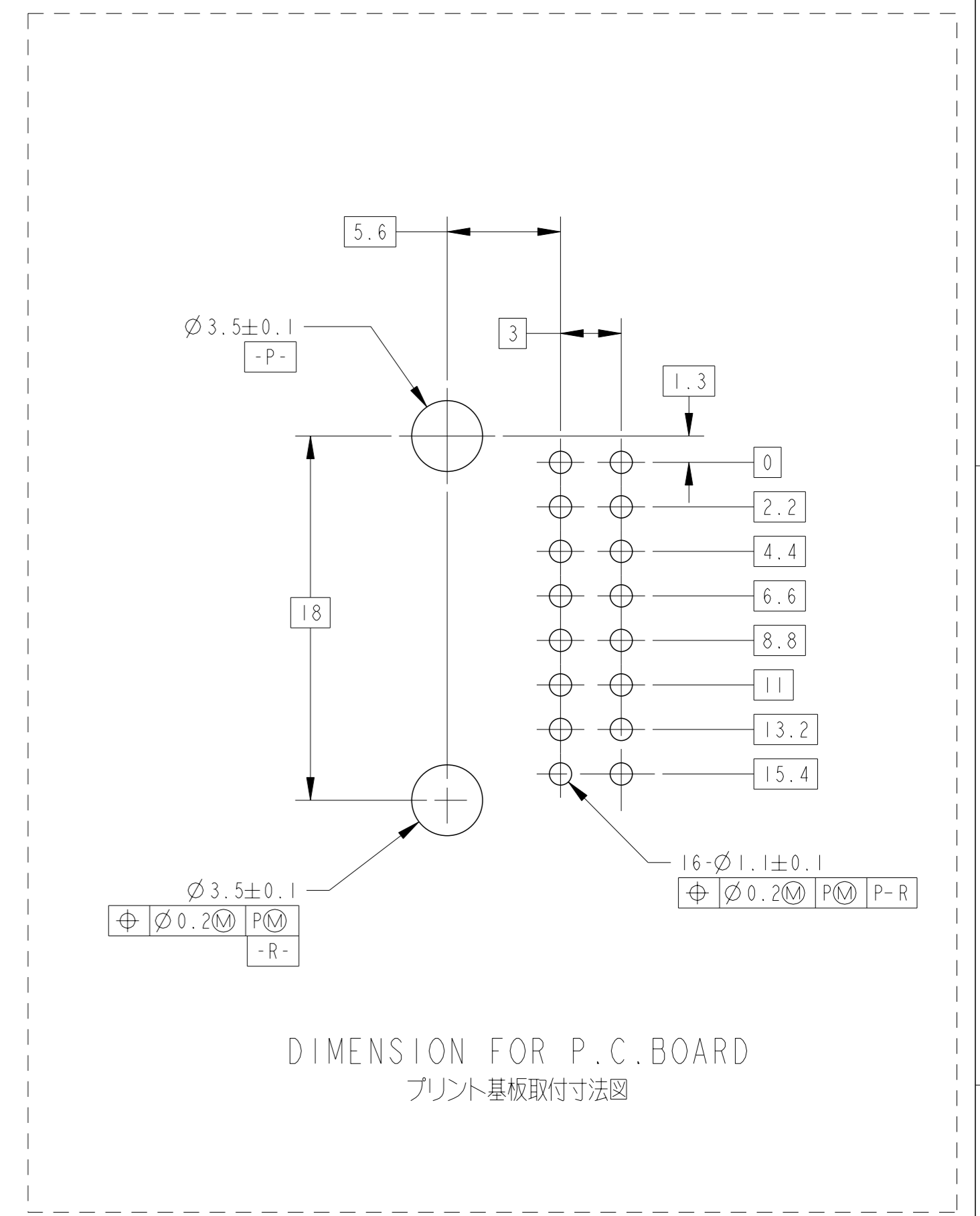
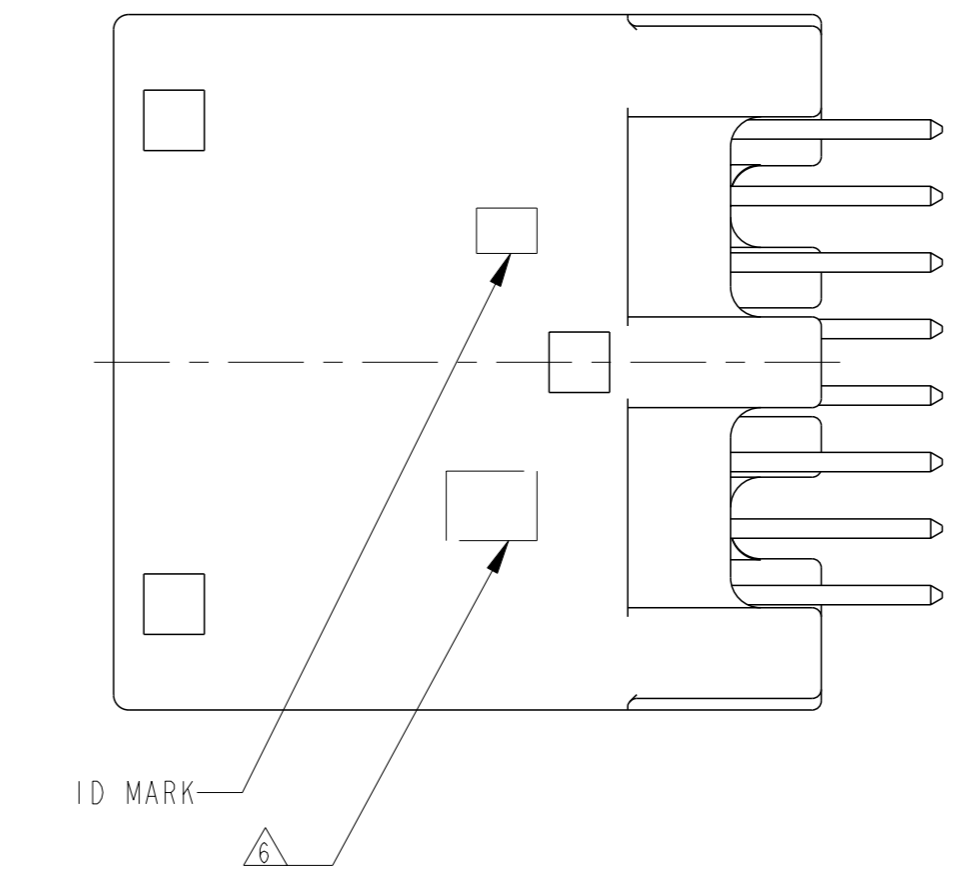
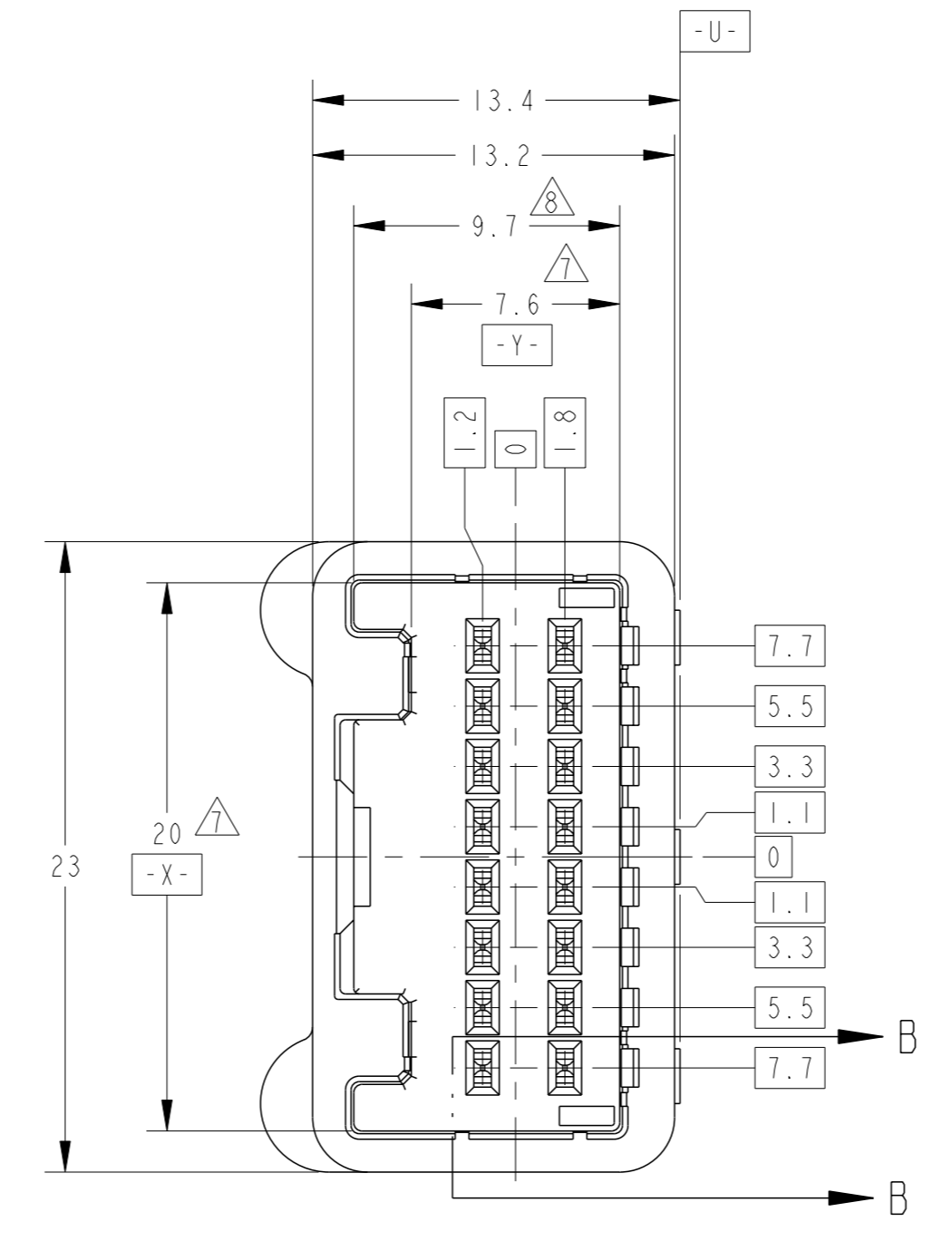
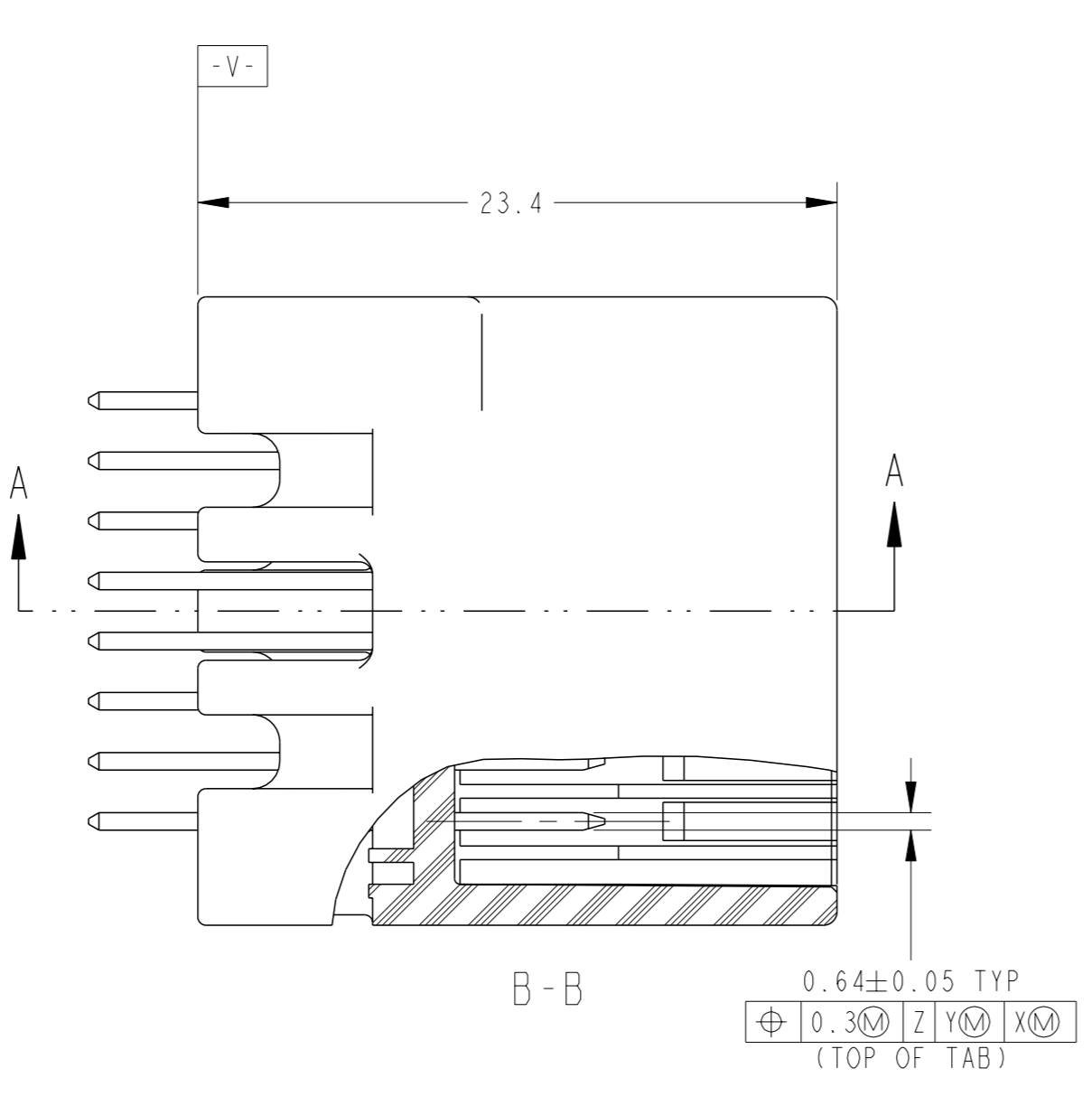
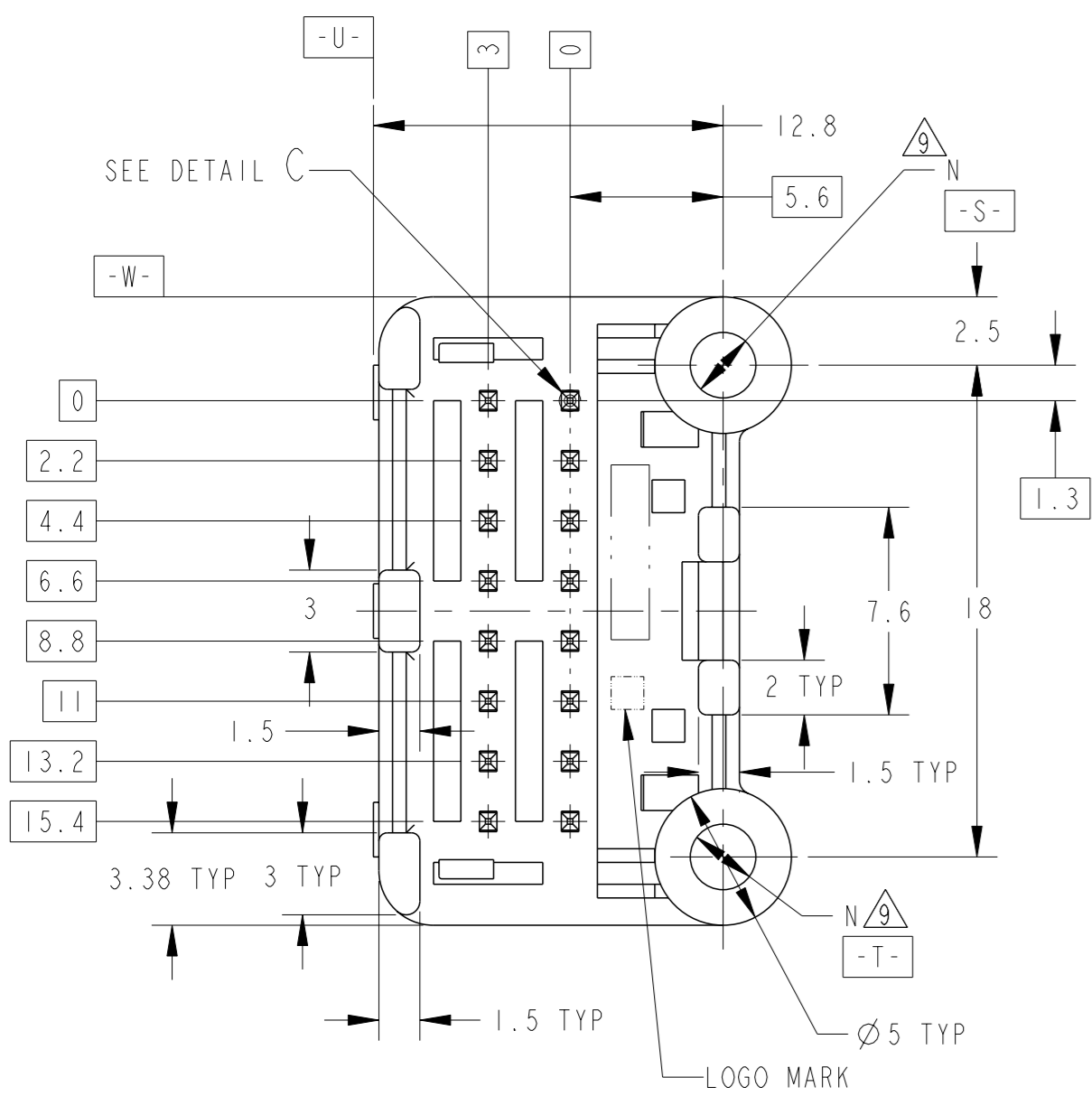
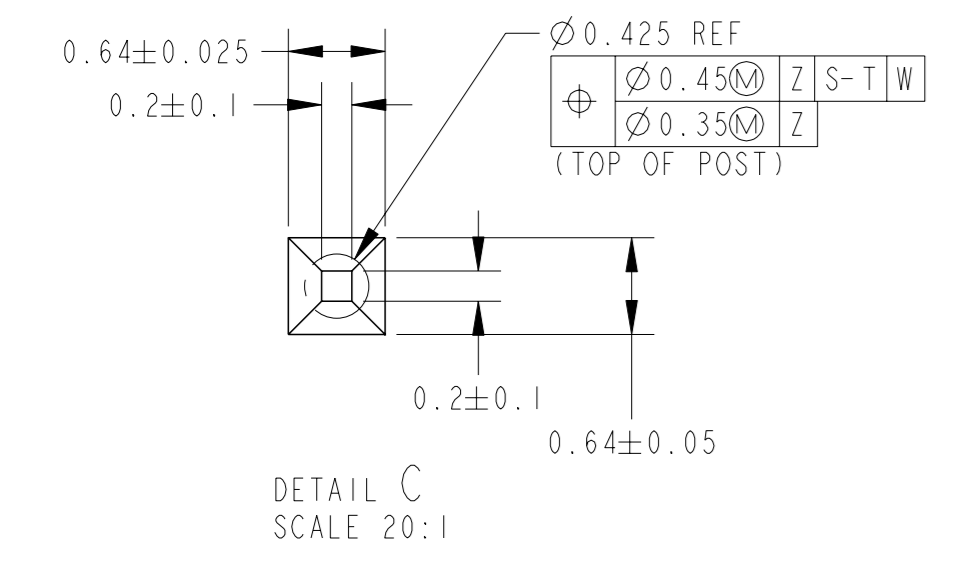


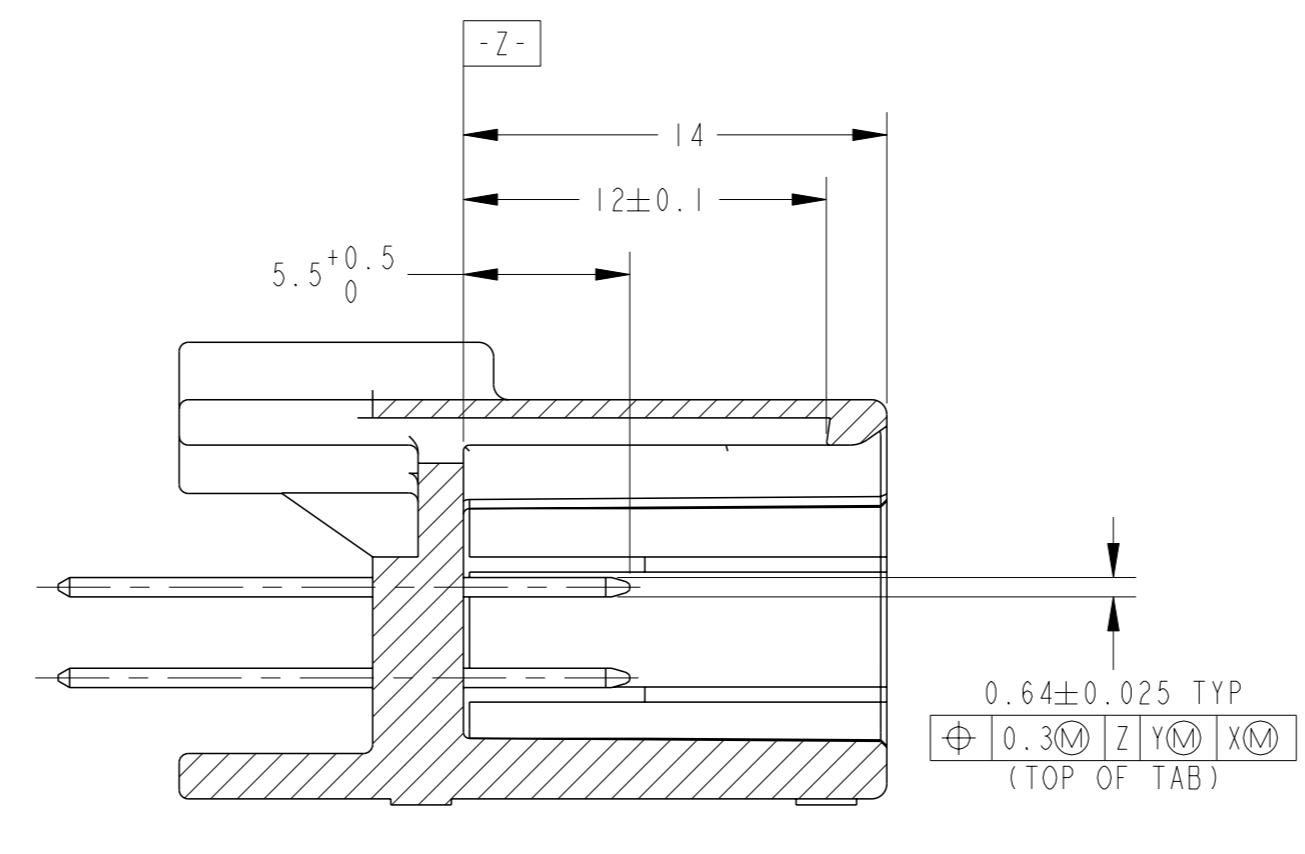
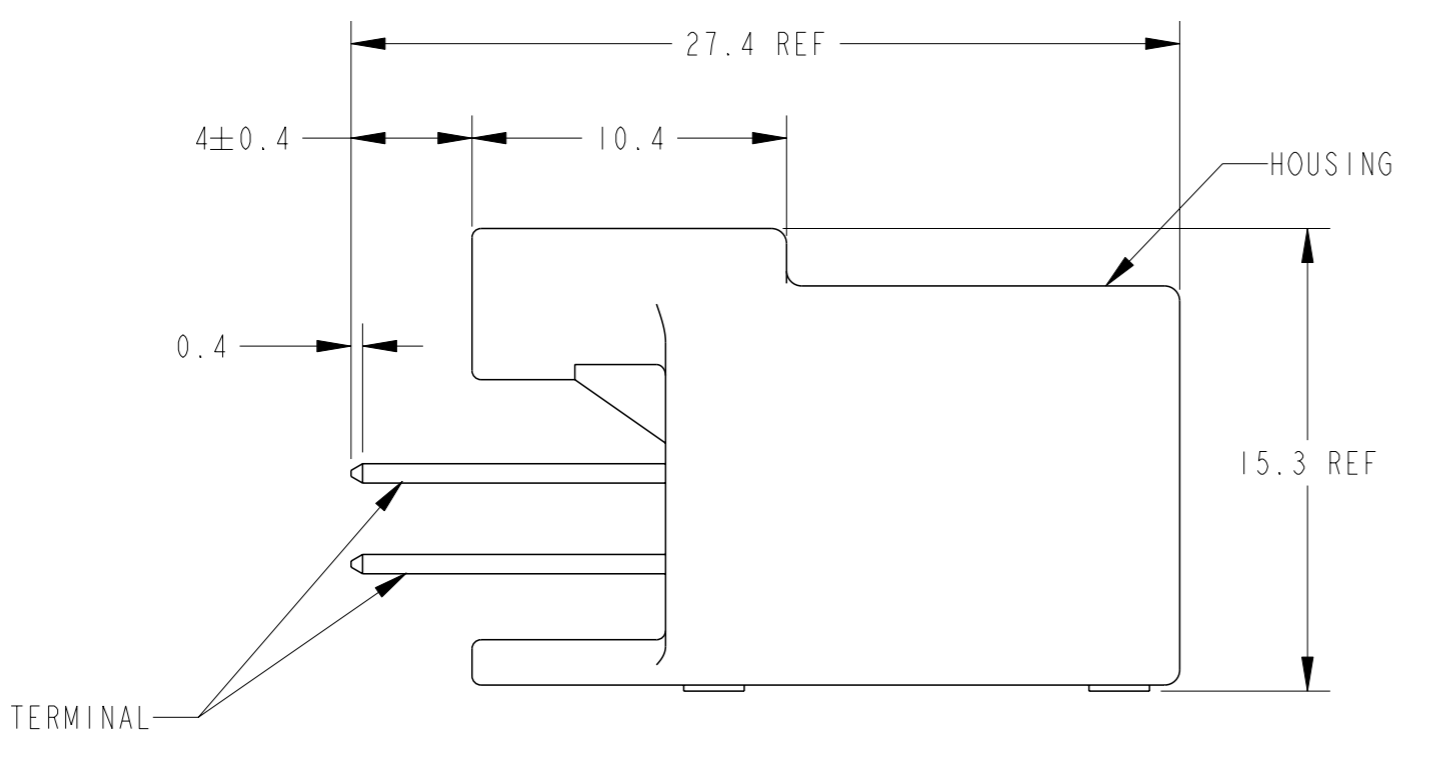
REV	DATE	DESCRIPTION	DATE	DWN	APVD
A	28AUG12	REVISD ECR-12-015145		YN	YF
A1	10JUL15	REVISD ECR-15-010372		D1	RK
A2	20MAY16	REVISD ECR-16-002460		DM	TK
A3	16MAY2018	REVISD ECR-18-007531		TS	HY



DIMENSION FOR P.C. BOARD  
プリント基板取付寸法図



DETAIL C  
SCALE 20:1



A-A

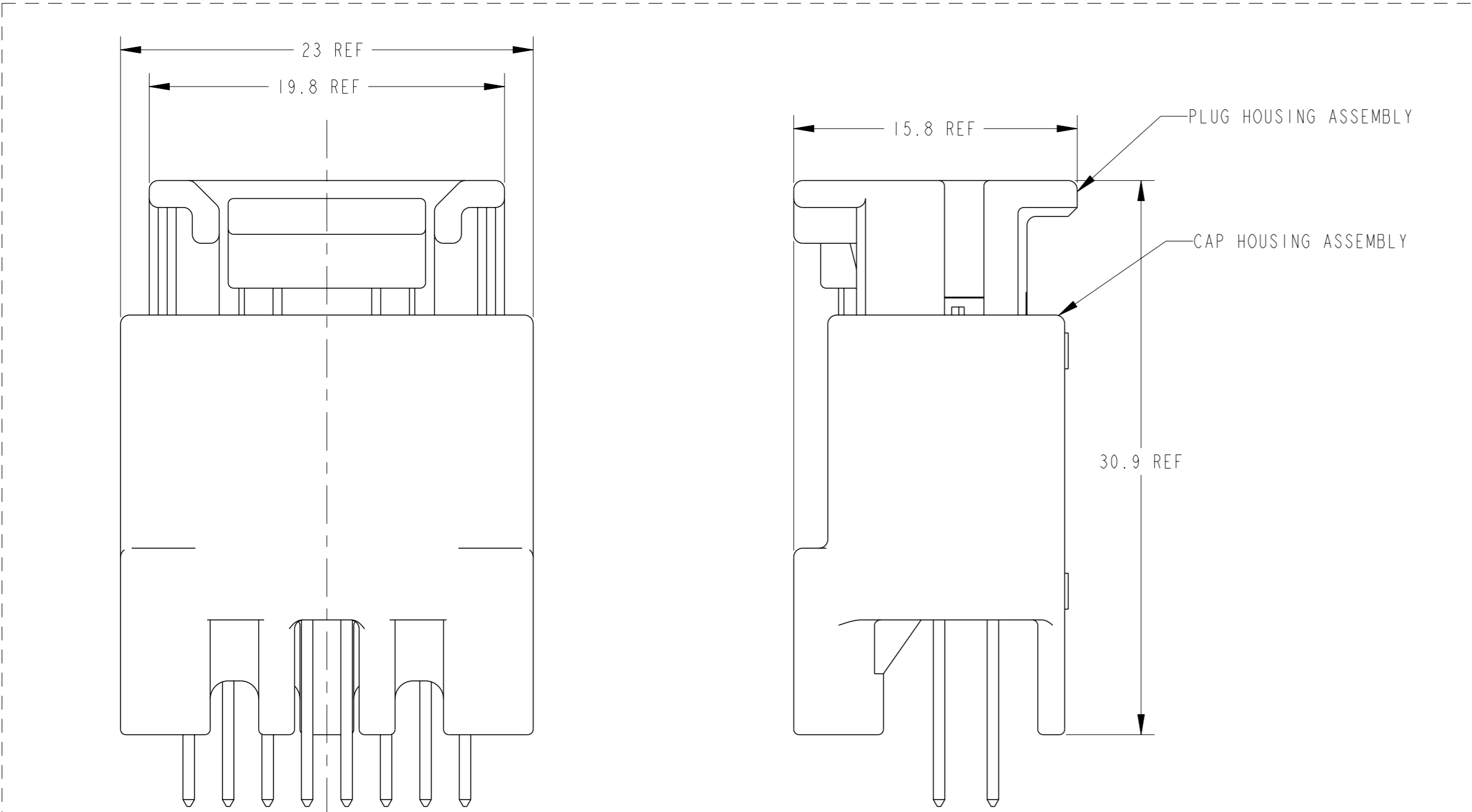
- MATING CONNECTOR PART NUMBER; SEE TABLE-1. TO BE MATED SMOOTHLY WITH THE PLUG HOUSING ASSEMBLY.
  - RECOMMENDED SCREW : PAN-HEADED, TYPE 2 TAPPING SCREW OF DIA 3mm X LENGTH 6mm REFER TO JIS B1115, B1122
  - FASTENING TORQUE FOR SCREW(REFERENCE) : 0.392N·m MAX
  - INSTRUCTION SHEET NO; 411-5928
  - APPLIED TERMINAL : SEE TABLE-2.
- IDENTIFICATION MARK FOR THE CONTACT FINISH : SEE TABLE.
- MEASURED AT 6mm FROM -Z-
  - MEASURED AT 2mm FROM -Z-
  - SCREW HOLE DIMENSION : SEE TABLE.
  - CIRCUIT NUMBER: SEE FIG.1

TABLE-1

POS. 極数	PLUG HOUSING PART No. プラグハウジング番番
16	1318386-1

TABLE-2

SIGNAL	TERMINAL No. 端子番号	APPLICABLE WIRE RANGE(FEMALE) 適用電線(メス)
025	TIN 1123343-1	CAVS/CAVUS 0.22~0.5mm <sup>2</sup> AVSS/AVSSH/AESSX 0.3~0.5mm <sup>2</sup>



CAP ASSEMBLY & PLUG ASSEMBLY ENGAGEMENT DRAWING  
キャップアセンブリ & プラグアセンブリ 嵌合図 SCALE 4:1

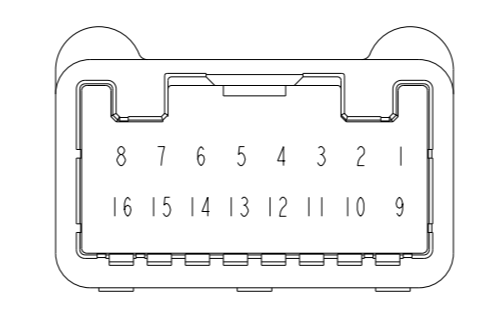


FIG. 1 CONTACT POSITION  
コンタクト回路構成

2	PAPER BOX ダンボール	PLASTIC TUBE プラスチックチューブ	1, 9	SELECTIVE-TIN (MATTE)	SELECTIVE-GOLD x 2 SELECTIVE-TIN x 14 (BRIGHT)	Ø2.4	NATURAL	PBT GF30	1565476-8
1	PAPER BOX ダンボール	PLASTIC TUBE プラスチックチューブ	-	PRE-TIN	SELECTIVE-TIN x 14 (BRIGHT)	Ø2.63	NATURAL	SPS GF30	1565476-7
1	PAPER BOX ダンボール	PLASTIC TUBE プラスチックチューブ	-	SELECTIVE-TIN (MATTE)	SELECTIVE-TIN (BRIGHT)	Ø2.4	NATURAL	PBT GF30	1565476-5
1	PLASTIC BOX 差し箱	PLASTIC TUBE プラスチックチューブ	-	PRE-TIN	PRE-TIN	Ø2.4	NATURAL	PBT GF30	1565476-4
1	PAPER BOX ダンボール	PLASTIC TUBE プラスチックチューブ	-	PRE-TIN	PRE-TIN	Ø2.4	BLACK	PBT GF30	1565476-2
1	PAPER BOX ダンボール	PLASTIC TUBE プラスチックチューブ	-	PRE-TIN	PRE-TIN	Ø2.4	NATURAL	PBT GF30	1565476-1
MARKING	OUTER 外装	INNER 内装	-	SOLDERING SIDE 半田付け部	CONTACT SIDE 接触部	△N	COLOR 色	MATERIAL 材料	PART NUMBER 製品番番
	PACKING STYLE 梱包形態		GOLD PLATED CIRCUIT NO 金のめっき回路番号	CONTACT FINISH コンタクト仕上げ			HOUSING ハウジング		

THIS DRAWING IS A CONTROLLED DOCUMENT. DIMENSIONS: mm. TOLERANCES UNLESS OTHERWISE SPECIFIED: 0.1-PLC ±0.3, 0.2-PLC ±, 0.3-PLC ±, 0.4-PLC ±. MATERIAL CONTACT: BRASS HOUSING: SEE TABLE. DWN: R. KOMIYAMA 26NOV01, CHK: H. YAMAGAMI 26NOV01, APVD: N. SAI 26NOV01. PRODUCT SPEC: 108-5668. APPLICATION SPEC: 114-5250. WEIGHT: 5.03 g. SIZE: A1. CAGE CODE: 00779. DRAWING NO: 1565476. CUSTOMER DRAWING. SCALE: 4:1. SHEET: 1 OF 1. REV: A3.

**STE** TE Connectivity  
025 SERIES 16 POSITION (PCB V-TYPE)  
CAP HOUSING ASSEMBLY

单击下面可查看定价，库存，交付和生命周期等信息

[>>TE Connectivity\(泰科\)](#)