

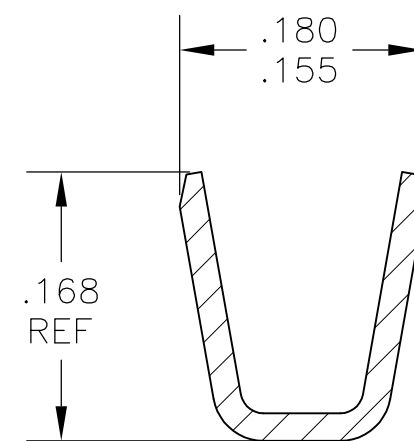
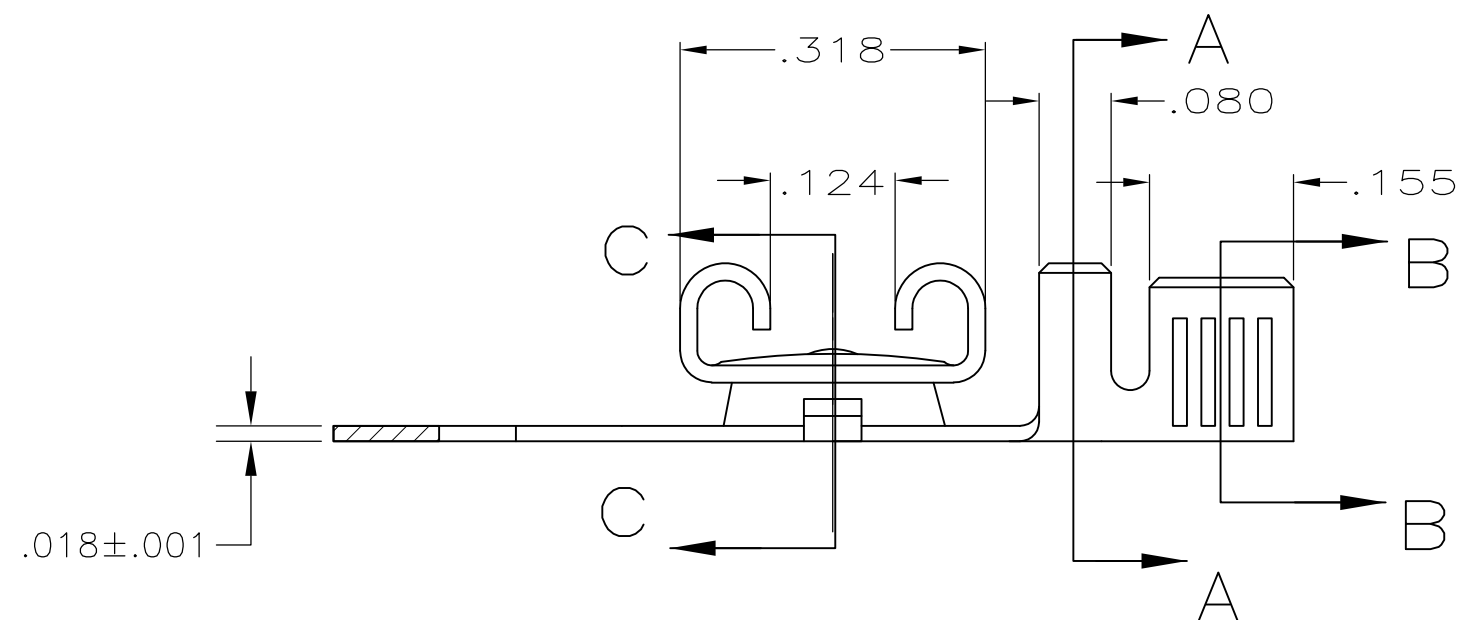
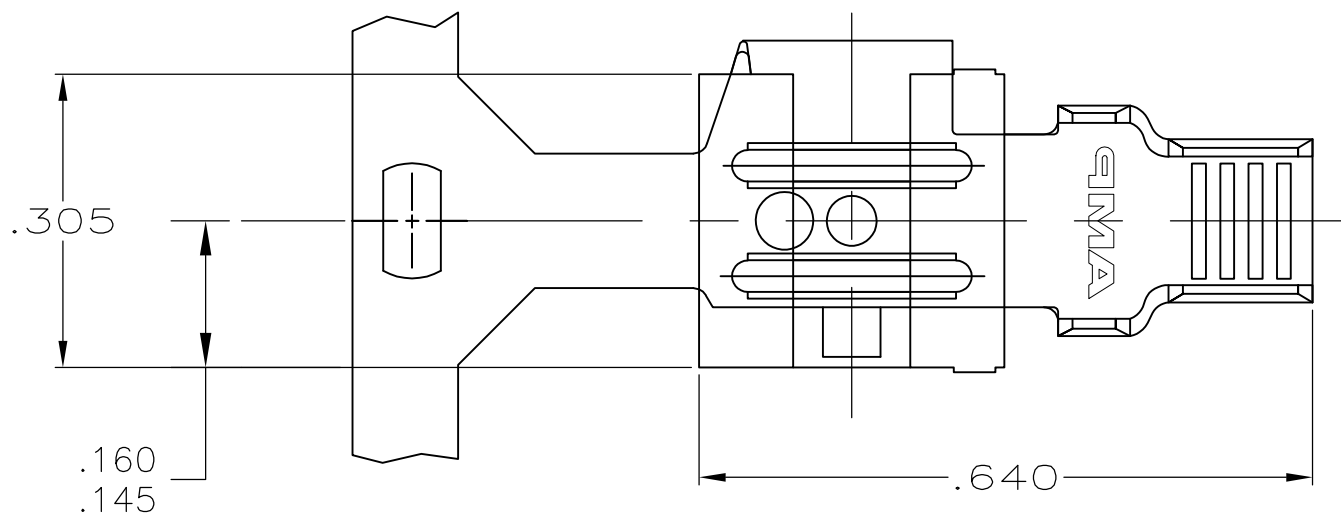
THIS DRAWING IS UNPUBLISHED.

RELEASED FOR PUBLICATION

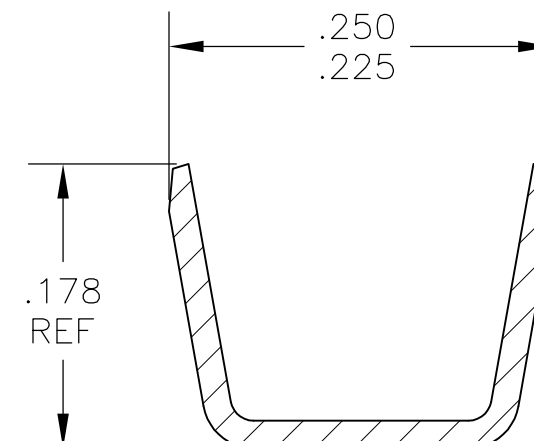
ALL RIGHTS RESERVED.

© COPYRIGHT - By -

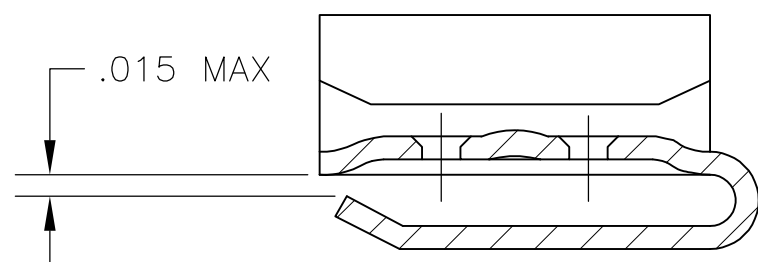
LOC	DIST	REVISIONS					
AF	50	P	LTR	DESCRIPTION	DATE	DWN	APVD
		C		REVISED PER ECR-12-013518	26NOV2012	KH	PD



SECTION B-B  
SCALE 8:1



SECTION A-A  
SCALE 8:1



SECTION C-C  
SCALE 8:1

- 1 CONTINUOUS STRIP ON REELS
- 2 WIRE SIZE IS 16-12 AWG
- 3 MATING TAB THK IS .032±.001
- 4 INSULATION RANGE IS .130-.170 DIA.

1217911-1

PART NO

THIS DRAWING IS A CONTROLLED DOCUMENT.		DWN	JR RUTH	18DEC02	<b>STE</b> TE Connectivity			
DIMENSIONS: INCHES		CHK	P DESANTIS	18DEC02				
TOLERANCES UNLESS OTHERWISE SPECIFIED:		APVD	P DESANTIS	18DEC02	NAME			
0 PLC ± -		PRODUCT SPEC		RECEPTACLE, FASTON, FLAG, REVERSIBLE, .250 SERIES				
1 PLC ± -		APPLICATION SPEC		-				
2 PLC ± -		114-2032		SIZE	A3	CAGE CODE	00779	
3 PLC ± .010		WEIGHT		DRAWING NO	C=1217911		RESTRICTED TO	
4 PLC ± -		-		CUSTOMER DRAWING			SCALE	5:1
ANGLES ± -		-		SHEET			1 OF 1	REV
FINISH		-		-				C

单击下面可查看定价，库存，交付和生命周期等信息

[>>TE Connectivity\(泰科\)](#)