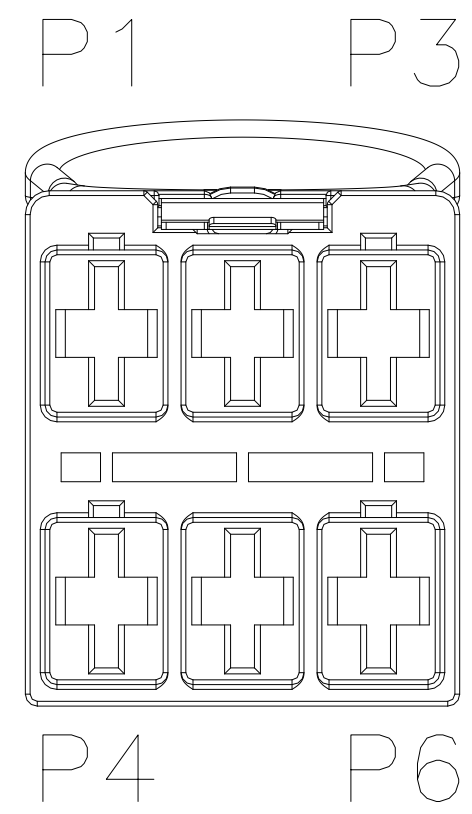
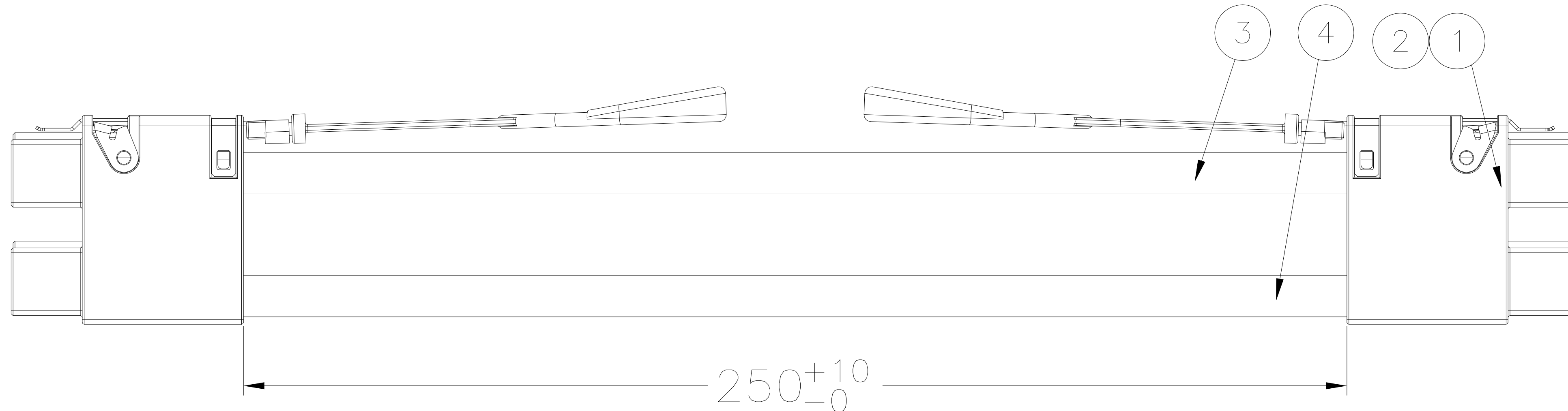


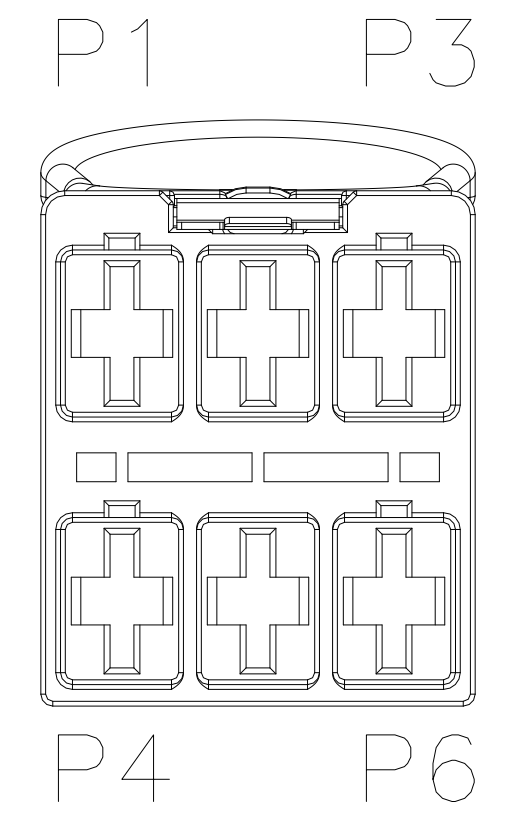
REVISIONS				
P	LR	DESCRIPTION	DATE	APVD
1		INITIAL	09MAR2020	KY WY



J1



J2



NOTES:

- 1. 100% ELECTRICAL TEST FOR CONTINUITY, OPENS AND SHORTS.
- 2. ROHS COMPLIANCE: PRODUCT AND PROCESSING MEETS REQUIREMENTS OF TE SPECIFICATION TEC-138-702.

WIRING CHART

FROM	TO	COLOR
J1-P1	J2-P3	RED
J1-P2	J2-P2	RED
J1-P3	J2-P1	RED
J1-P4	J2-P6	BLACK
J1-P5	J2-P5	BLACK
J1-P6	J2-P4	BLACK

2370756-1
TE P/N

QTY	U/M	DESCRIPTION	ITEM
AR	MR	UL WIRE 10AWG BLACK HIGH FLEX, PVC	4
AR	MR	UL WIRE 10AWG RED HIGH FLEX, PVC	3
12	PC	CONTACT ELCON MINI, GOLD PLATING	2
2	PC	HOUSING ELCON MINI TE, HF	1

THIS DRAWING IS A CONTROLLED DOCUMENT.

DRAWN: KYLIN YAO	DATE: 09MAR2020	TE Connectivity Ltd.
CHK: -	-	
DIMENSIONS: mm	TOLERANCES UNLESS OTHERWISE SPECIFIED:	NAME: WILLIAM YAO
0 PLC ± -	1 PLC ± -	PRODUCT SPEC: -
2 PLC ± -	3 PLC ± -	APPLICATION SPEC: -
4 PLC ± -	ANGLES ± -	SIZE: A1
MATERIAL: -	FINISH: -	CAGE CODE: 00779
CUSTOMER DRAWING		DRAWING NO: 2370756
SCALE: N.T.S		RESTRICTED TO: -
SHEET 1 OF 1		REV 1

单击下面可查看定价，库存，交付和生命周期等信息

[>>TE Connectivity\(泰科\)](#)