

4

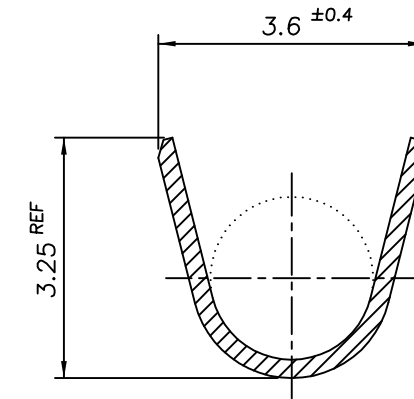
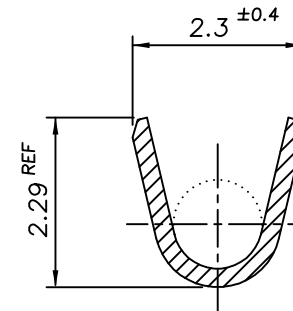
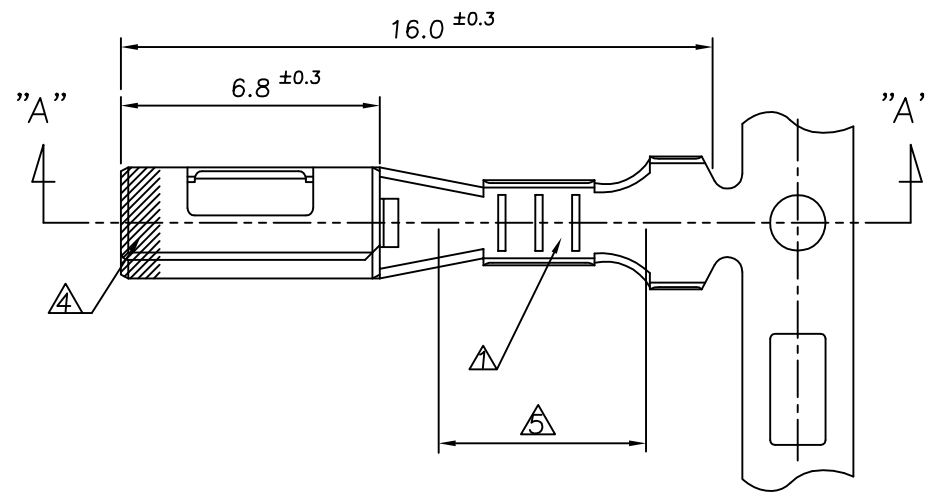
3

2

1

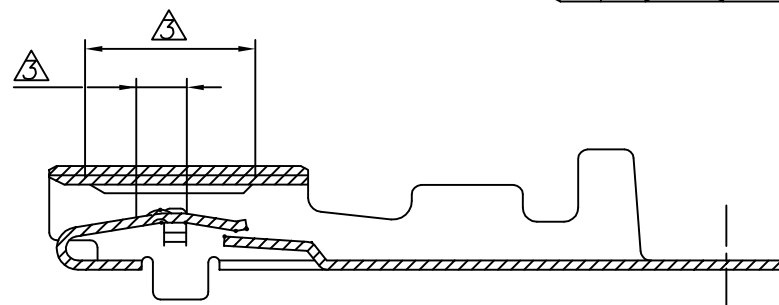
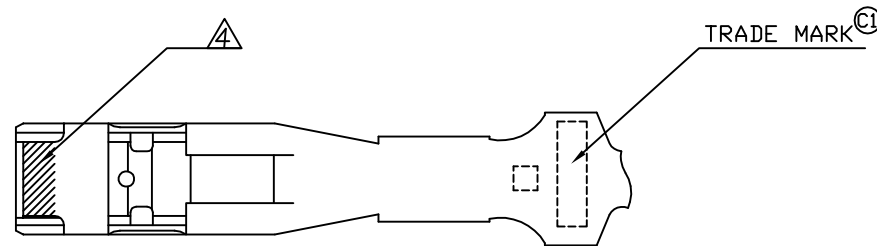
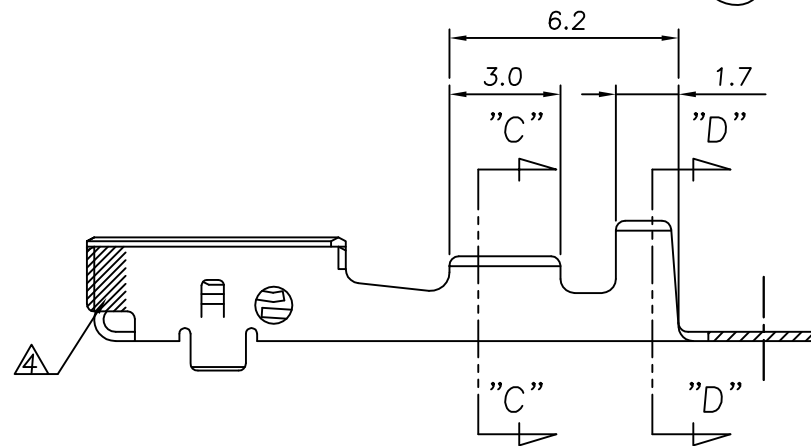
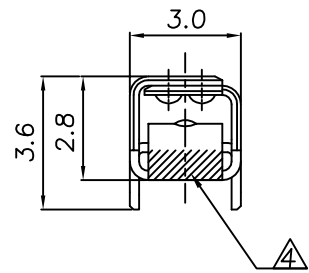
THIS DRAWING IS UNPUBLISHED. RELEASED FOR PUBLICATION
COPYRIGHT BY TYCO ELECTRONICS CORPORATION. ALL RIGHTS RESERVED.

LOC	DIST	REVISIONS			
P	LTR	DESCRIPTION	DATE	DWN	APVD
-	-				
	C1	REVISED (ECR-13-003728)	28.FEB.'13	KT	HG



SECTION "C-C"
Scale 10/1

SECTION "D-D"
Scale 10/1



SECTION "A-A"

NOTE

- ▲ THREE SERRATIONS CENTERED IN WIRE BARREL.
- 2. APPLICABLE WIRE RANGE; CAVUS 0.3~AVSS 0.5 SQMM
- ▲ GOLD PLATING AREA (CONTACT SIDE ONLY)
- ▲ GOLD PLATING FOR DISCERNMENT
- ▲ TIN PLATING AREA

FINISH	MATERIAL	PART NUMBER
▲▲▲ SELECTIVE-GOLD	CuNiSi, 0.25 Thk	1-368085-1
PRE-TINNED	CuNiSi, 0.25 Thk	368085-1

<small>THIS DRAWING IS A CONTROLLED DOCUMENT FOR TYCO ELECTRONICS CORPORATION IT IS SUBJECT TO CHANGE AND THE CONTROLLING ENGINEERING ORGANIZATION SHOULD BE CONTACTED FOR THE LATEST REVISION.</small>		DWN KT JUNG CHK KT LIM APVD HG CHD PRODUCT SPEC 108-61021 APPLICATION SPEC 114-61004 WEIGHT A3 00779 C=368085		STE TE Connectivity NAME 090 II MLC RECEP. SIZE A3 CAGE CODE 00779 DRAWING NO C=368085 RESTRICTED TO -	
DIMENSIONS: MM	TOLERANCES UNLESS OTHERWISE SPECIFIED: 0 <XX<10 ± 0.2 10<XX<30 ± 0.25 ANGLES ± 3°	CUSTOMER DRAWING		SCALE 5/1	SHEET 1 OF 1
MATERIAL SEE TABLE	FINISH SEE TABLE			REV C1	

单击下面可查看定价，库存，交付和生命周期等信息

[>>TE Connectivity\(泰科\)](#)