

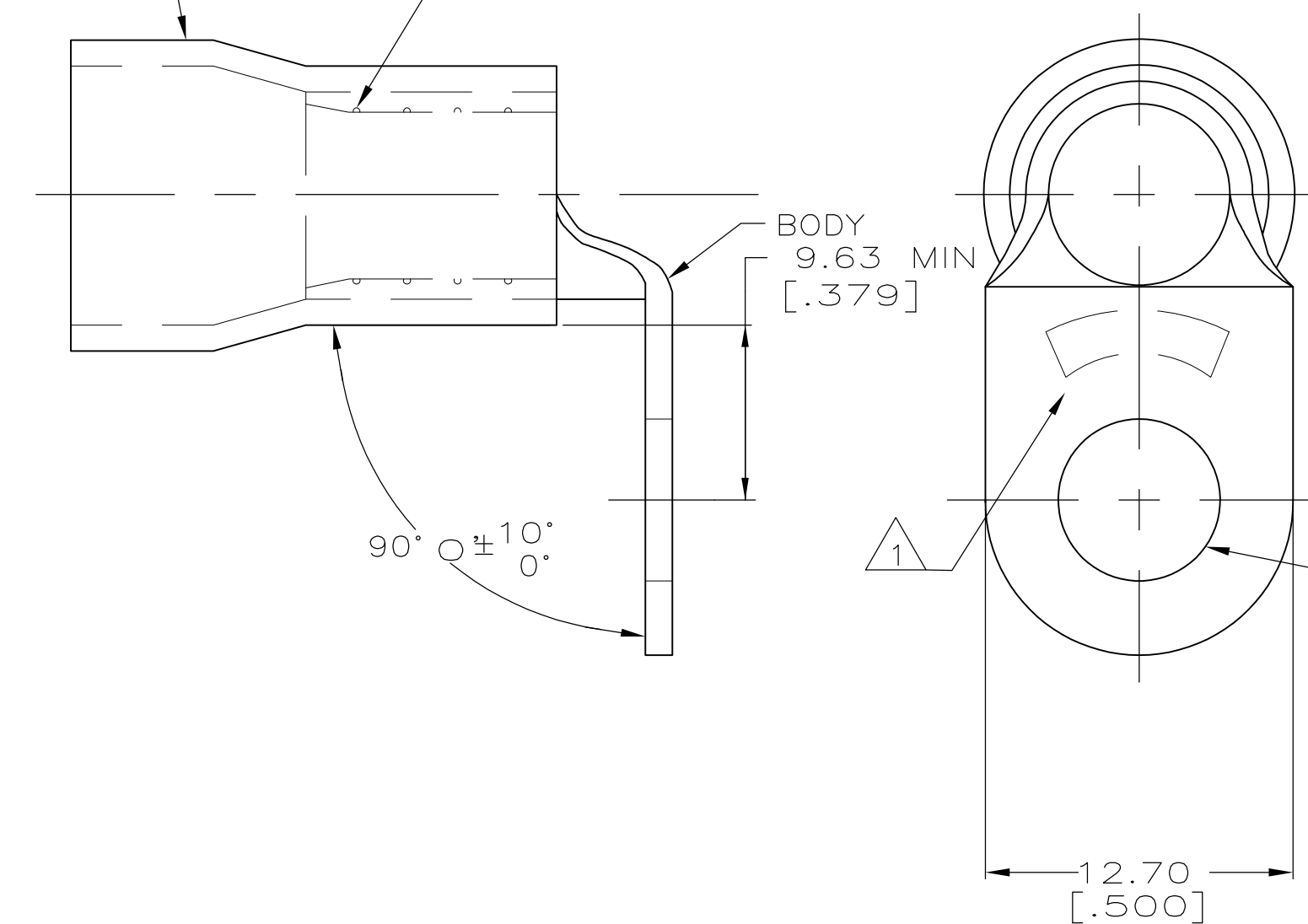


THIS DRAWING IS UNPUBLISHED. RELEASED FOR PUBLICATION  
 © COPYRIGHT BY TYCO ELECTRONICS CORPORATION. ALL INTERNATIONAL RIGHTS RESERVED.

LOC	DIST	REVISIONS					
		P	LTR	DESCRIPTION	DATE	DWN	APVD
G	14		E1	REVISED PER ECO-11-002228	11FEB11	HMR	DR

<b>AMP</b> WIRE RANGE	 FILE E13288	 LR7189 Certified
6 AWG STRANDED	6 AWG STRANDED	6 AWG STRANDED

SLEEVE DIMPLED SURFACE



BODY  
9.63 MIN  
[.379]

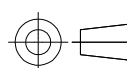
90° ± 10°


6.73±0.13  
[.265±.005] DIA  
(FOR 1/4 STUD)

- 1 STAMP AMP 6\* LOCATE APPROX AS SHOWN
- 2 TONGUE MATERIAL THK 1.14±0.08 [.045±.003]
- 3 WIRE INSULATION DIA 11.07 [.436] MAX

100	LOOSE PC	54754-1
QTY	PACKAGE TYPE	PART NO

<b>AMP INCORPORATED CUSTOMER SERVICE SYSTEMS</b>		MAX RECOMMENDED OPERATING TEMPERATURE: 105° C
FOR ADDITIONAL PRODUCT INFORMATION OR COPIES OF DRAWINGS AND TECHNICAL DOCUMENTS	PRODUCT INFORMATION CENTER 1-800-522-6752	VOLTAGE RATING: 600 V MAX
FOR APPLICATION TOOLING INFORMATION	TOOLING ASSISTANCE CENTER 1-800-722-1111	CIRCULAR MIL AREA: 10.54-16.77mm <sup>2</sup> [20,800-33,100]
FOR ORDER ENTRY	1-800-526-5142	THIS DRAWING IS A CONTROLLED DOCUMENT FOR AMP INCORPORATED. IT IS SUBJECT TO CHANGE AND THE CONTROLLING ENGINEERING ORGANIZATION SHOULD BE CONTACTED FOR THE LATEST REVISION.

THIS DRAWING IS A CONTROLLED DOCUMENT.	
DIMENSIONS: mm [INCHES]	TOLERANCES UNLESS OTHERWISE SPECIFIED:
	0 PLC ± - 1 PLC ± - 2 PLC ± 0.20 [.008] 3 PLC ± - 4 PLC ± - ANGLES ± -
MATERIAL COPPER PER ASTM B-152 PVC, COLOR: BLUE	FINISH TIN PLATE PER ASTM B545

DWN S.S. GOULDEN 10-11-93	 Tyco Electronics Corporation Harrisburg, PA 17105-3608
CHK R. HERSEY 10-11-93	
APVD B. BARE 10-11-93	
PRODUCT SPEC NOT AVAILABLE	
APPLICATION SPEC 114-2161	NAME TERMINAL, RING TONGUE-BENT 90 DEG PLASTI-GRIP™ WIRE SIZE: 6 AWG
WEIGHT -	SIZE A3
CUSTOMER DRAWING	CAGE CODE 00779
SCALE 4:1	DRAWING NO G-54754
SHEET 1 OF 1	RESTRICTED TO -
REV E1	

单击下面可查看定价，库存，交付和生命周期等信息

[>>TE Connectivity\(泰科\)](#)