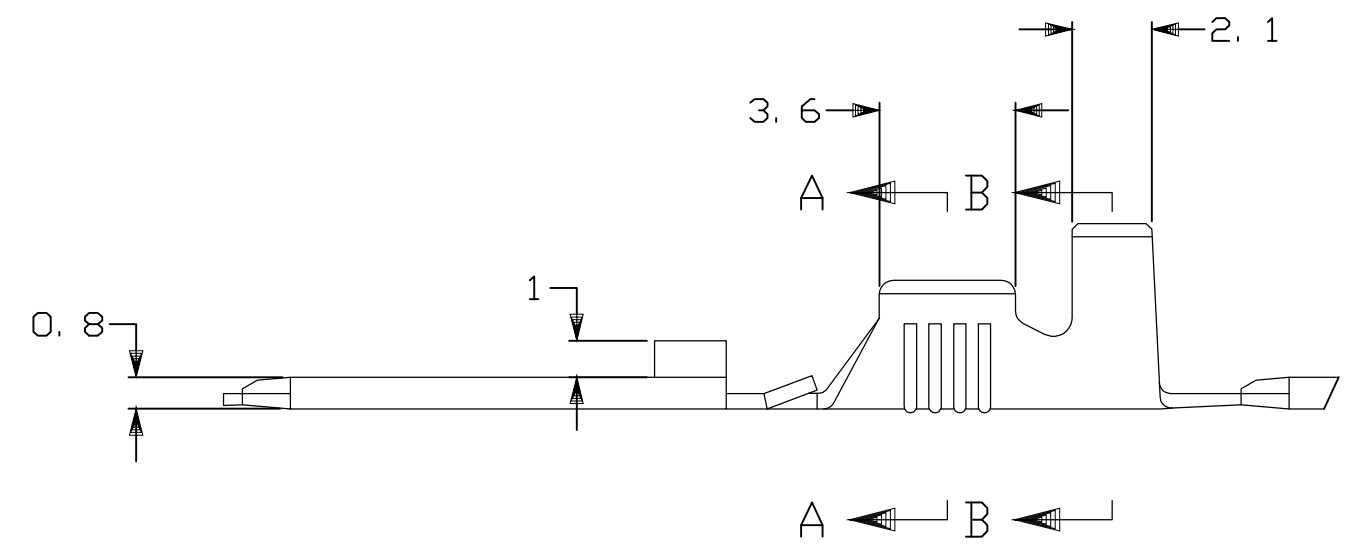
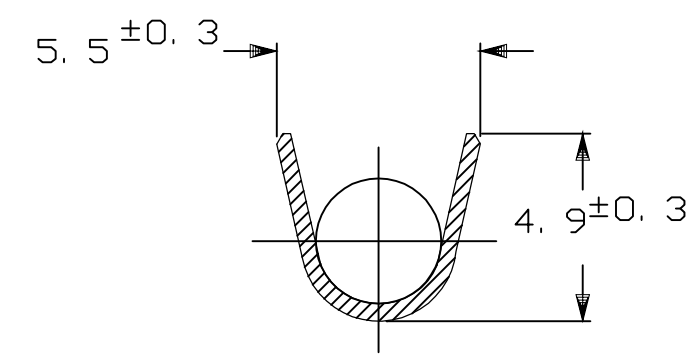
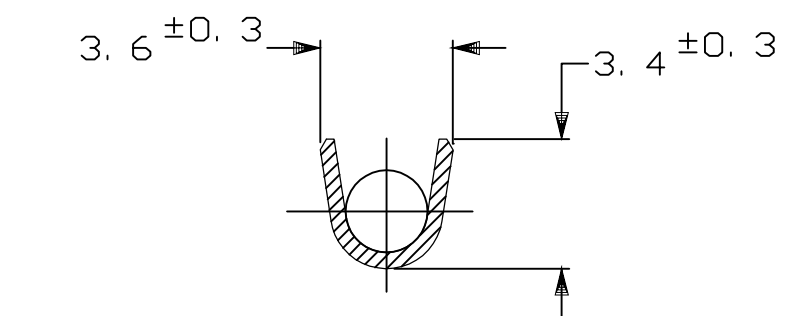
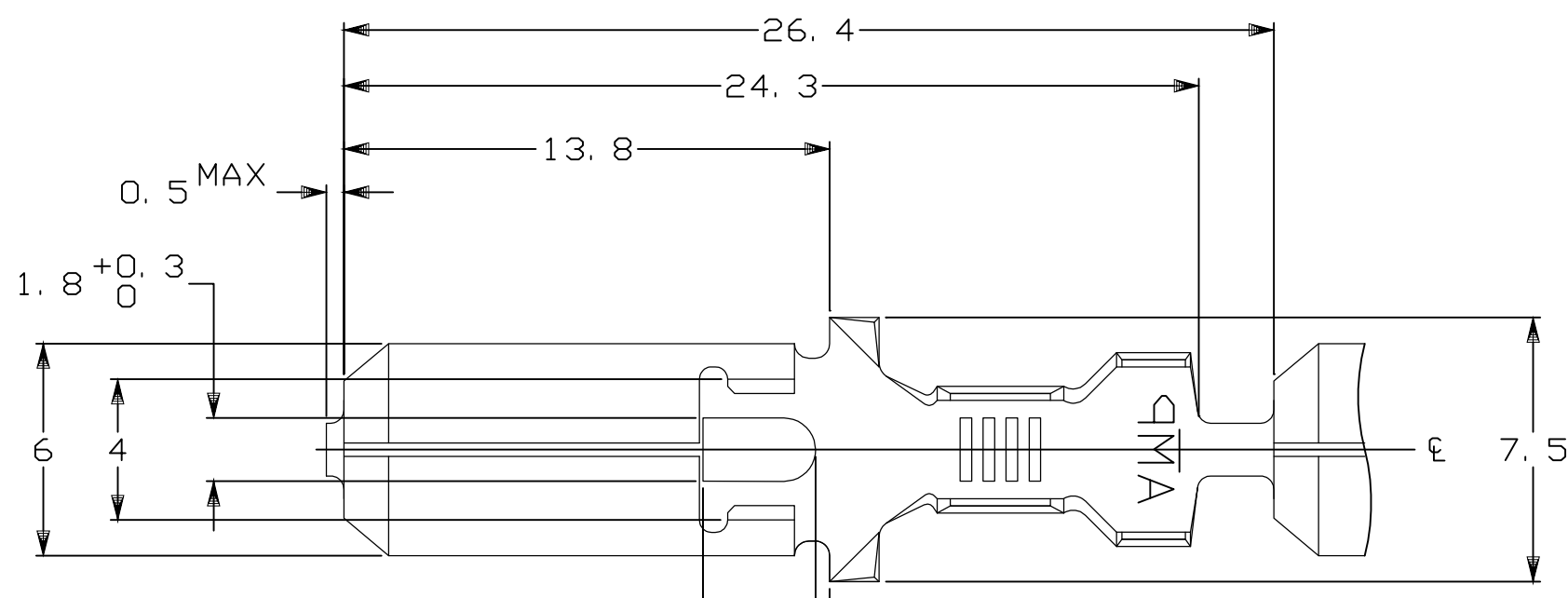


THIS DRAWING IS UNPUBLISHED. RELEASED FOR PUBLICATION  
 © COPYRIGHT - By - ALL RIGHTS RESERVED.

LOC	DIST	REVISIONS					
		P	LTR	DESCRIPTION	DATE	DWN	APVD
J	-		C4	REVISED	02DEC2013	K.S	D.Z
			C5	REVISED PER ECR-15-013317	21SEP2015	L.P	T.D



- △ REVERSE REEL OF 170340-3
- △ 170340-3、逆巻リール
- △ SEPARATE PAPER TYPE

△	---	PRE-TIN BRASS t0.41	179462-3	2-170340-3
△	---	PRE-TIN BRASS t0.41	---	1-170340-3
	---	PRE-TIN BRASS t0.41	179462-3	170340-3
	---	BRASS t0.41	---	170340-1
	FINISH	MATERIAL	LOOSE PIECE NUMBER	PART NUMBER

THIS DRAWING IS A CONTROLLED DOCUMENT.

DIMENSIONS: 単位: 耗 mm

TOLERANCES UNLESS OTHERWISE SPECIFIED: 一般公差

0 PLC ± -  
 1 PLC 10 ± - ±0.2  
 2 PLC 30 ± - ±0.25  
 3 PLC ANGLE: ±3°  
 4 PLC ANGLE ± - ± -

MATERIAL 材料 SEE TABLE  
 FINISH 仕上 SEE TABLE

DWN	A.YAMAGUCHI	19AUG98	WIRE RANGE 総合電線断面積 <0.5~2.27mm SQ> #20~#14		INSULATION DIA 被覆外径 2.1~3.4 DIA	
CHK	K.BETSUI	26AUG98	TE Connectivity 250 SERIES TAB WITHOUT LATCH 250シリーズ ラッチ無しタブ			
APVD	K.BETSUI	26AUG98				
PRODUCT SPEC	製品規格	108-5147	NAME 名称			
APPLICATION SPEC	取付適用規格	114-5052	SIZE	CAGE CODE	DRAWING NO 番号	RESTRICTED TO
WEIGHT	0.76g	A3	00779	C=	170340	-
CUSTOMER DRAWING			SCALE 尺度	5:1	SHEET 1 OF 1	REV C5

单击下面可查看定价，库存，交付和生命周期等信息

[>>TE Connectivity\(泰科\)](#)