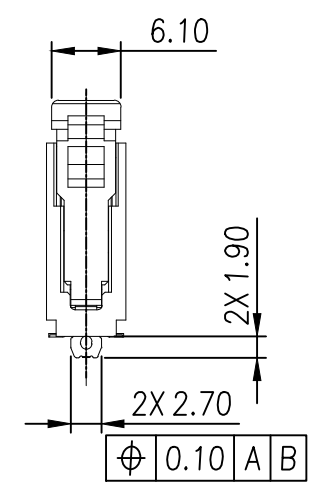
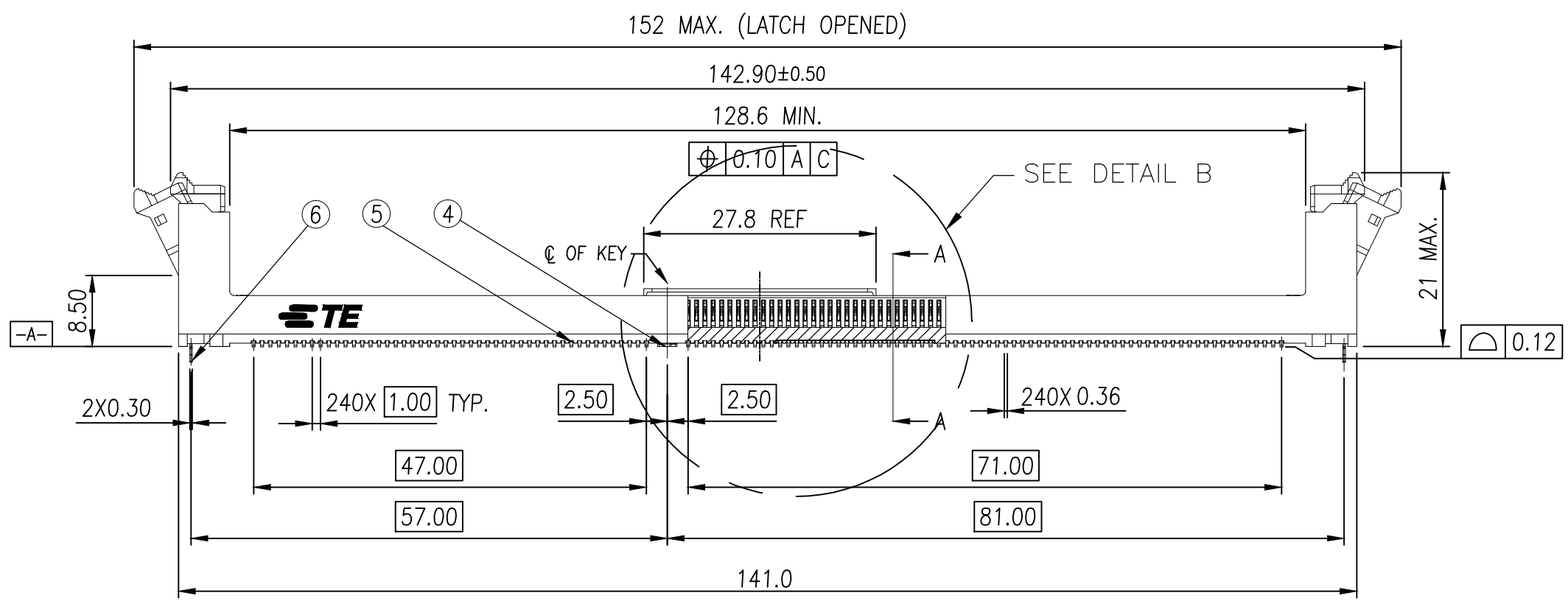
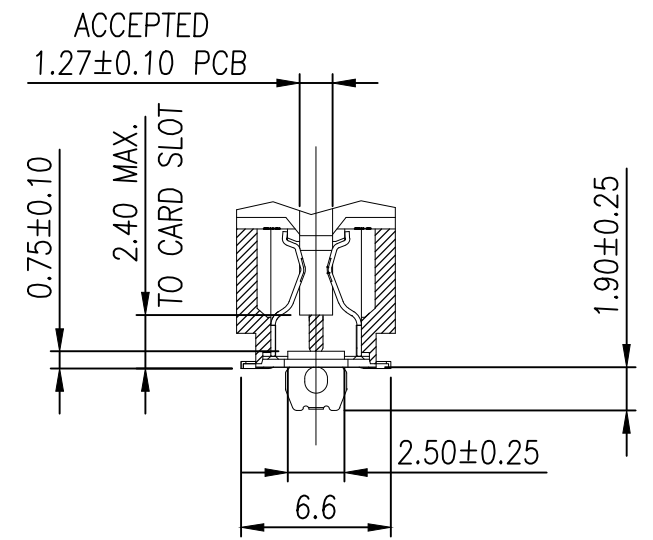
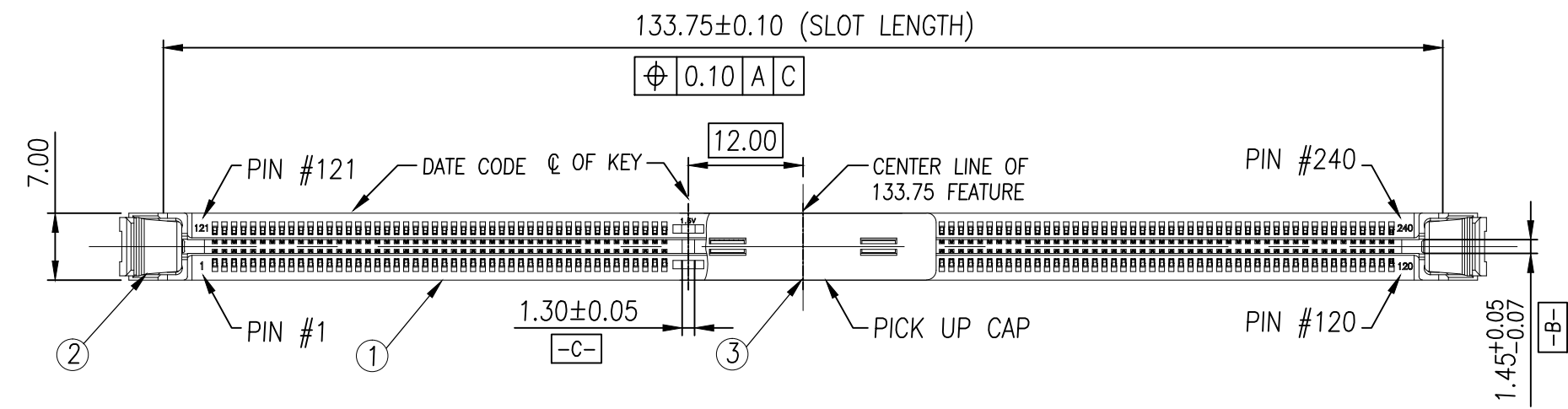


THIS DRAWING IS UNPUBLISHED. RELEASED FOR PUBLICATION  
 © COPYRIGHT - By - ALL RIGHTS RESERVED.

LOC	DIST	REVISIONS			
P	LTR	DESCRIPTION	DATE	DWN	APVD
-	-	E	RELEASED PER ECR-15-004717	25MAR2015	D.Z S.L



2	SIDE TAB	⑥
240	CONTACT	⑤
1	CENTER PEG	④
1	CAP	③
2	LATCH	②
1	HOUSING	①
QTY	NAME	ITEM

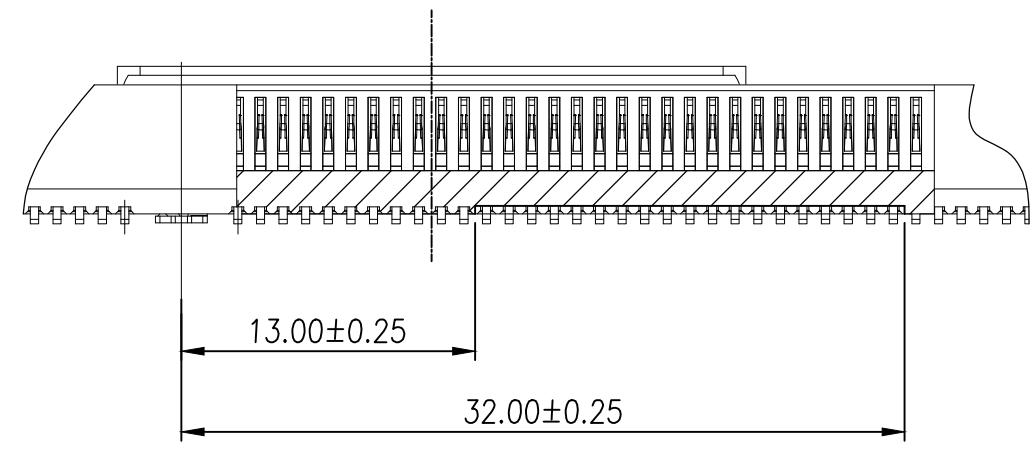
THIS DRAWING IS A CONTROLLED DOCUMENT.		DWN SIMON WU 30DEC2010	<b>STE</b> TE Connectivity	
DIMENSIONS: mm		CHK BILL WONG 30DEC2010		
TOLERANCES UNLESS OTHERWISE SPECIFIED:		APVD COREL WANG 30DEC2010	NAME	
0 PLC ± -		PRODUCT SPEC	SOCKET ASSEMBLY	
1 PLC ± 0.30		108-115019	VLP DDR-III, SMT, 240P	
2 PLC ± 0.20		APPLICATION SPEC	SIZE	CAGE CODE
3 PLC ± 0.013			A3	00779
4 PLC ± -		WEIGHT 7.06	DRAWING NO	RESTRICTED TO
ANGLES ± 1°		CUSTOMER DRAWING	C-1932810	-
MATERIAL SEE NOTE		FINISH SEE NOTE	SCALE 3:2	SHEET 1 OF 6
			REV E	

THIS DRAWING IS UNPUBLISHED. RELEASED FOR PUBLICATION  
 © COPYRIGHT - By - ALL RIGHTS RESERVED.

LOC		DIST		REVISIONS			
P	LTR	DESCRIPTION		DATE	DWN	APVD	
-	-	-	-	SEE SHEET 1	-	-	

NOTES:

1. MATERIAL:
  - 1.1 HOUSING: THERMOPLASTIC, UL94V-0; COLOR: SEE TABLE.
  - 1.2 LATCH: THERMOPLASTIC, UL94V-0; COLOR: SEE TABLE.
  - 1.3 CAP: THERMOPLASTIC, UL94V-0; COLOR: BLACK.
  - 1.4 CENTER PEG: COPPER ALLOY.
  - 1.5 CONTACT: COPPER ALLOY.
  - 1.6 SIDE TAB: COPPER ALLOY.
2. FINISH:
  - 2.1 CONTACT:
    - GOLD PLATING THICKNESS ON CONTACT AREA: SEE TABLE.
    - 100u" MIN. MATTE-TIN PLATING ON SOLDER TAIL AREA.
    - 90u" MIN. NICKEL UNDERPLATING OVERALL FOR 20u" GOLDPLATING.
    - 50u" MIN. NICKEL UNDERPLATING OVERALL FOR OTHER GOLDPLATING.
  - 2.2 CENTER PEG AND SIDE TAB:
    - 100u" MIN. MATTE-TIN PLATING ON SOLDER TAIL AREA.
    - 50u" MIN. NICKEL UNDERPLATING OVERALL.
3. CONFORMS TO THE REQUIREMENTS OF EIA/ECA-364-1000.01A (CONTROLLED ENVIRONMENT APPLICATIONS, AND TE PRODUCT SPECIFICATION.)
4. LLCR SPEC.: 30mΩ MAX. INITIAL, THE CHANGE NOT GREATER THAN 20mΩ AFTER ALL ENVIRONMENT TEST.
5. LLCR SPEC.: 10mΩ MAX. INITIAL, THE CHANGE NOT GREATER THAN 10mΩ AFTER ALL ENVIRONMENT TEST.



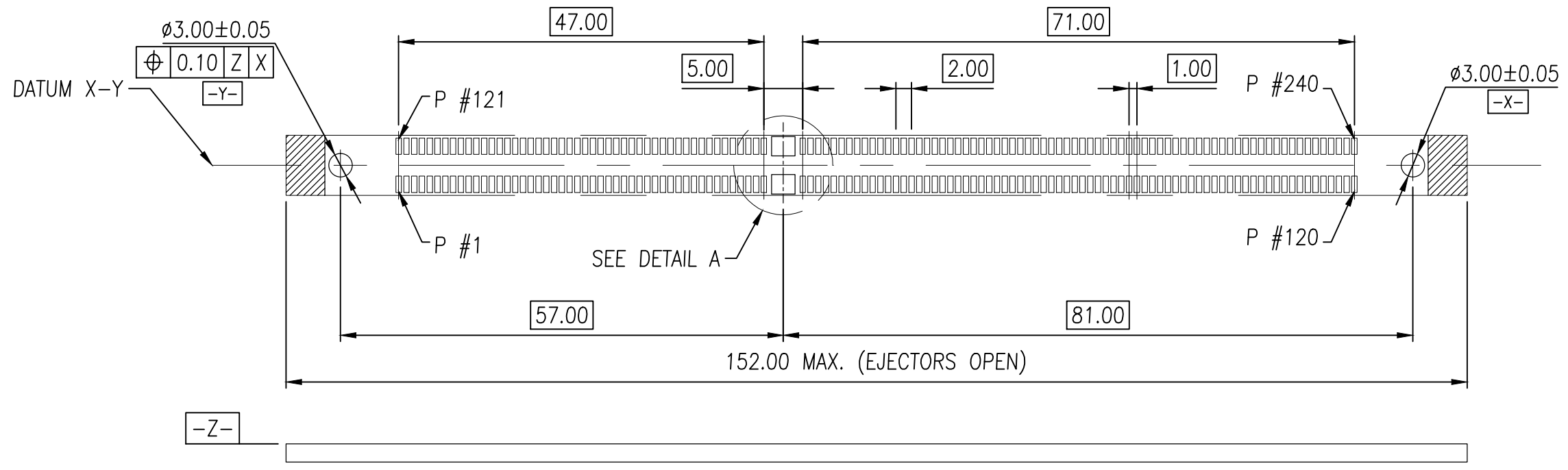
DETAIL B  
(3 : 1)

CAP OPTION	LLCR SPEC.	GOLD PLATING	HOUSING COLOR	LATCH COLOR	PART NUMBER
WITHOUT CAP	SEE NOTE 5	20u" MIN.	BLACK	GREEN (375C)	1-1932810-0
		20u" MIN.	BLACK	BLACK	1932810-9
		20u" MIN.	BLACK	NATURAL	1932810-8
WITH CAP	SEE NOTE 5	20u" MIN.	BLACK	GREEN (375C)	1932810-7
		20u" MIN.	BLACK	BLACK	1932810-6
		20u" MIN.	BLACK	NATURAL	1932810-5
	SEE NOTE 5	15u" MIN.	BLACK	BLACK	1932810-4
		15u" MIN.	BLACK	NATURAL	1932810-3
		SEE NOTE 4	20u" MIN.	BLACK	BLACK
20u" MIN.	BLACK		NATURAL	1932810-1	

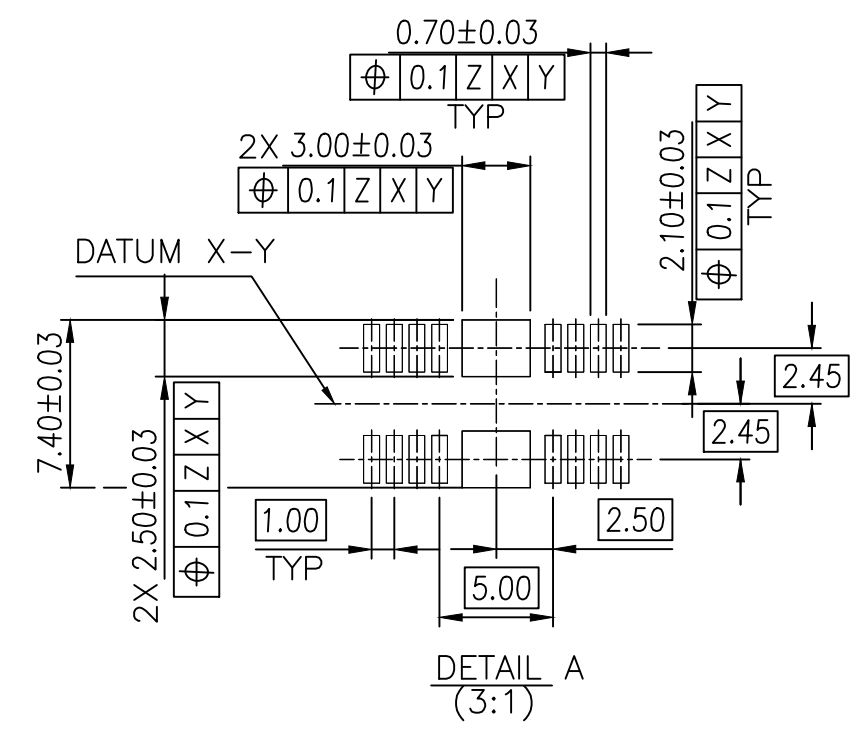
THIS DRAWING IS A CONTROLLED DOCUMENT.		DWN	-	TE Connectivity SOCKET ASSEMBLY VLP DDR-III, SMT, 240P					
DIMENSIONS: mm		CHK	-						
TOLERANCES UNLESS OTHERWISE SPECIFIED:		APVD	-						
0 PLC ± - 1 PLC ± - 2 PLC ± 0.13 3 PLC ± 0.013 4 PLC ± - ± 1° ANGLES		PRODUCT SPEC	-						
MATERIAL SEE NOTE		FINISH	SEE NOTE	APPLICATION SPEC	-	SIZE	CAGE CODE	DRAWING NO	RESTRICTED TO
		WEIGHT	-	A300779 C-1932810					
CUSTOMER DRAWING				SCALE	3:2	SHEET	2 OF 6	REV	E

THIS DRAWING IS UNPUBLISHED. RELEASED FOR PUBLICATION. ALL RIGHTS RESERVED.

LOC	DIST	P	LTR	DESCRIPTION	DATE	DWN	APVD
-	-	-	-	SEE SHEET 1	-	-	-



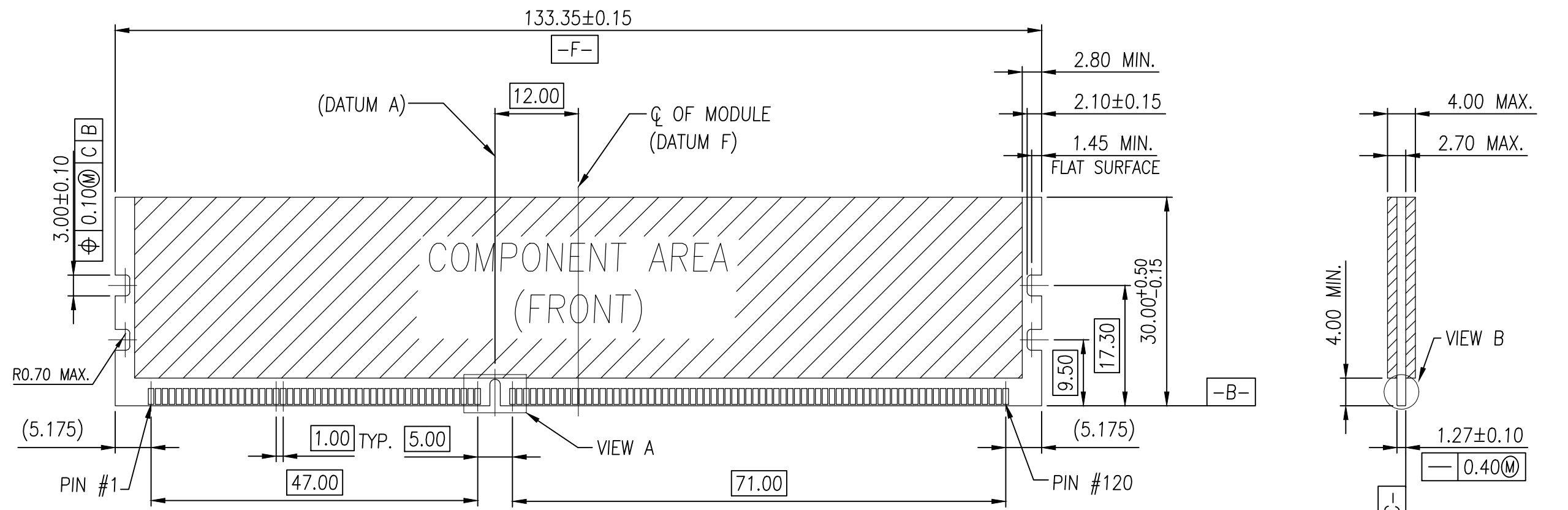
RECOMMENDED PCB LAYOUT (TOP VIEW)  
TOLERANCE: ±0.05



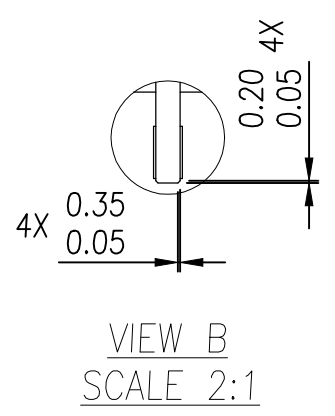
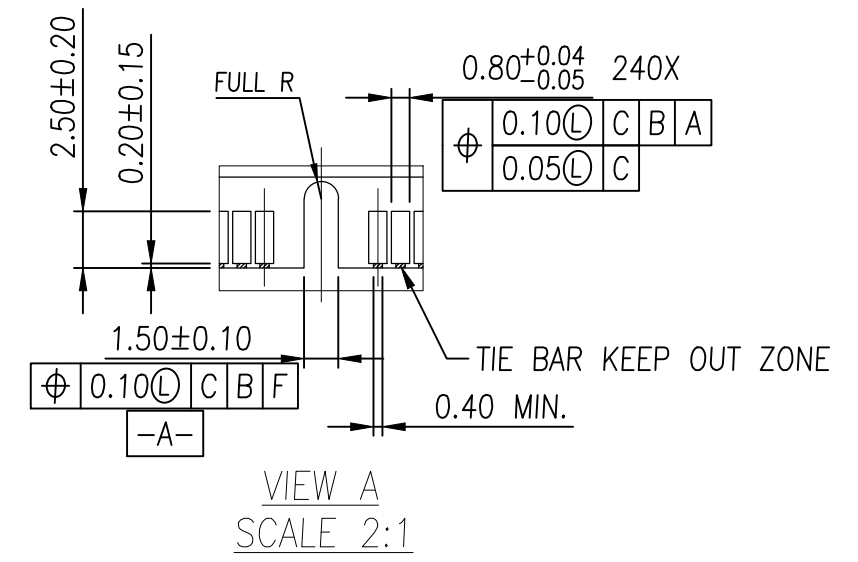
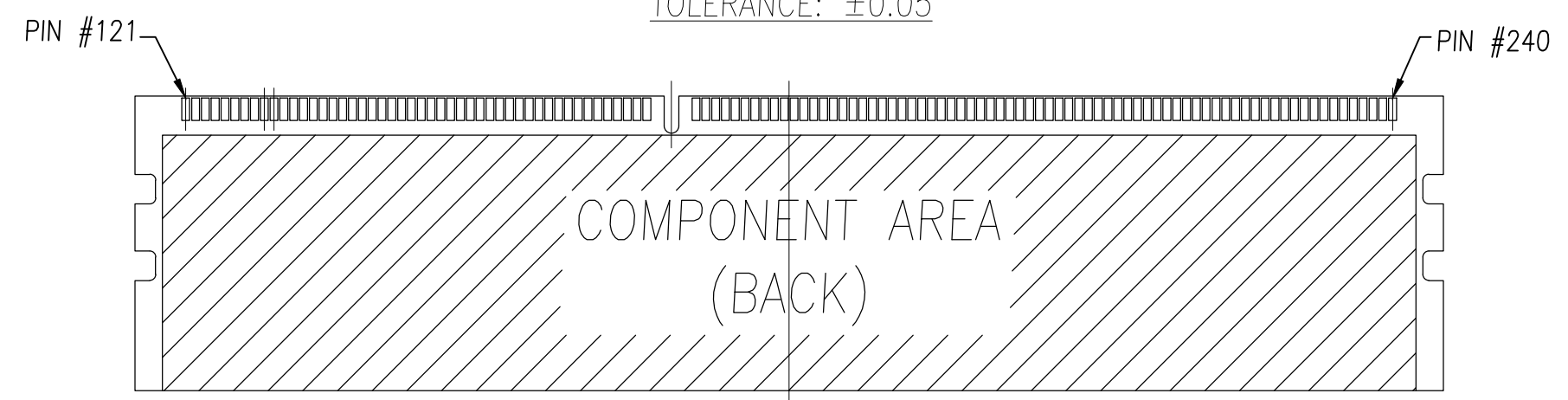
THIS DRAWING IS A CONTROLLED DOCUMENT.		DWN	TE Connectivity SOCKET ASSEMBLY VLP DDR-III, SMT, 240P			RESTRICTED TO
DIMENSIONS:	TOLERANCES UNLESS OTHERWISE SPECIFIED:	CHK				NAME
mm	0 PLC ± -	APVD				PRODUCT SPEC
	1 PLC ± -	-				APPLICATION SPEC
MATERIAL	FINISH	WEIGHT	SIZE	CAGE CODE	DRAWING NO	-
SEE NOTE	SEE NOTE	-	A3	00779	C-1932810	-
CUSTOMER DRAWING			SCALE	SHEET	REV	
			3:2	3 OF 6	E	

THIS DRAWING IS UNPUBLISHED. RELEASED FOR PUBLICATION  
 © COPYRIGHT - By - ALL RIGHTS RESERVED.

LOC	DIST	P	LTR	DESCRIPTION	DATE	DWN	APVD
-	-	-	-	SEE SHEET 1	-	-	-



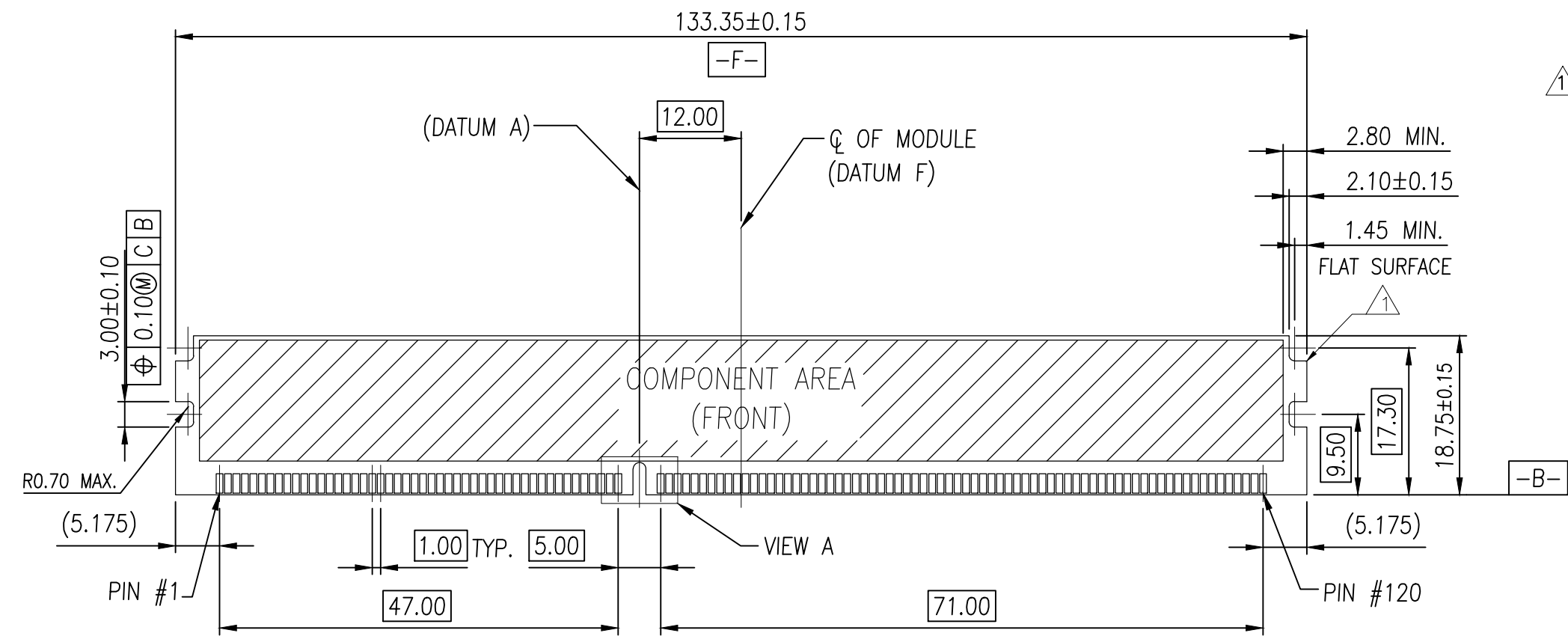
RECOMMENDED MODULE PCB LAYOUT  
 TOLERANCE: ±0.05



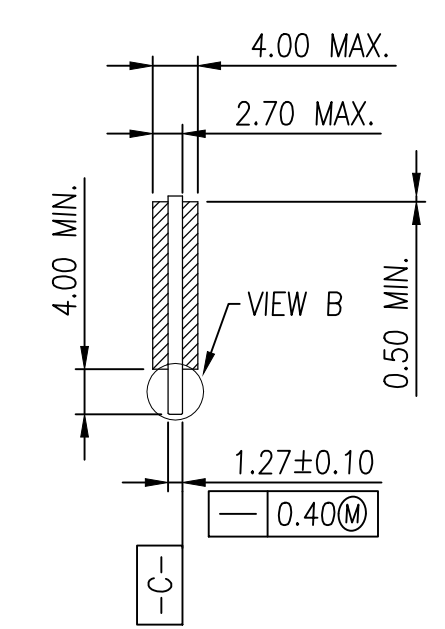
THIS DRAWING IS A CONTROLLED DOCUMENT.		DWN	-		
DIMENSIONS: mm		CHK	-		
TOLERANCES UNLESS OTHERWISE SPECIFIED:		APVD	-		
0 PLC ± -		PRODUCT SPEC	-		
1 PLC ± -		APPLICATION SPEC	-		
2 PLC ± 0.13		SIZE	CAGE CODE	DRAWING NO	RESTRICTED TO
3 PLC ± 0.013		A3	00779	C-1932810	-
4 PLC ± -		CUSTOMER DRAWING			SCALE 3:2
ANGLES ± 1°		SHEET 4 OF 6			REV E
FINISH SEE NOTE		STE TE Connectivity			
MATERIAL SEE NOTE		SOCKET ASSEMBLY VLP DDR-III, SMT, 240P			

THIS DRAWING IS UNPUBLISHED. RELEASED FOR PUBLICATION  
 © COPYRIGHT - By - ALL RIGHTS RESERVED.

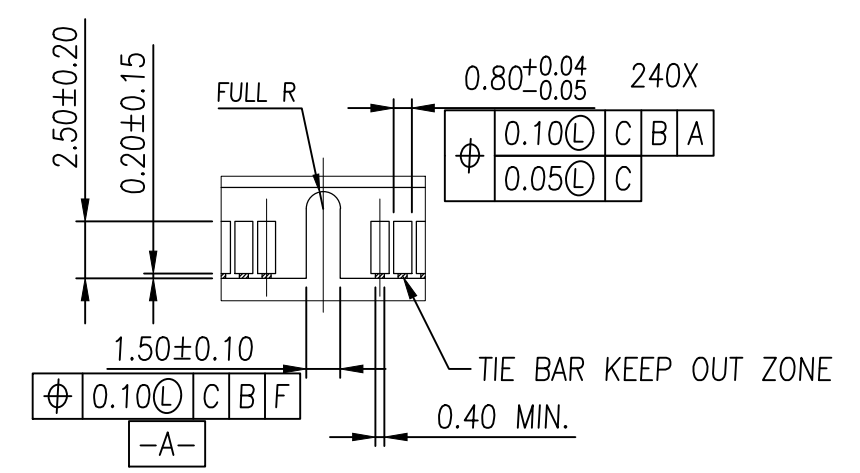
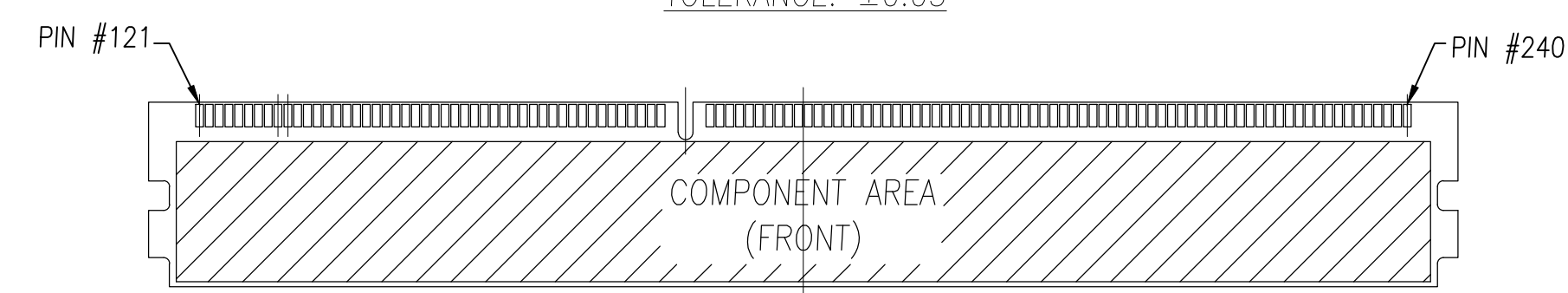
LOC	DIST	REVISIONS			
P	LTR	DESCRIPTION	DATE	DWN	APVD
-	-	SEE SHEET 1	-	-	-



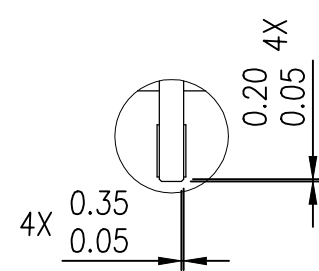
NOTES:  
 1. FOR STD VLP MODULE, THE LATCH OF CONNECTOR IS LOCKED BY UPPER NOTCH.



RECOMMENDED MODULE PCB LAYOUT  
 TOLERANCE: ±0.05



VIEW A  
 SCALE 2:1



VIEW B  
 SCALE 2:1

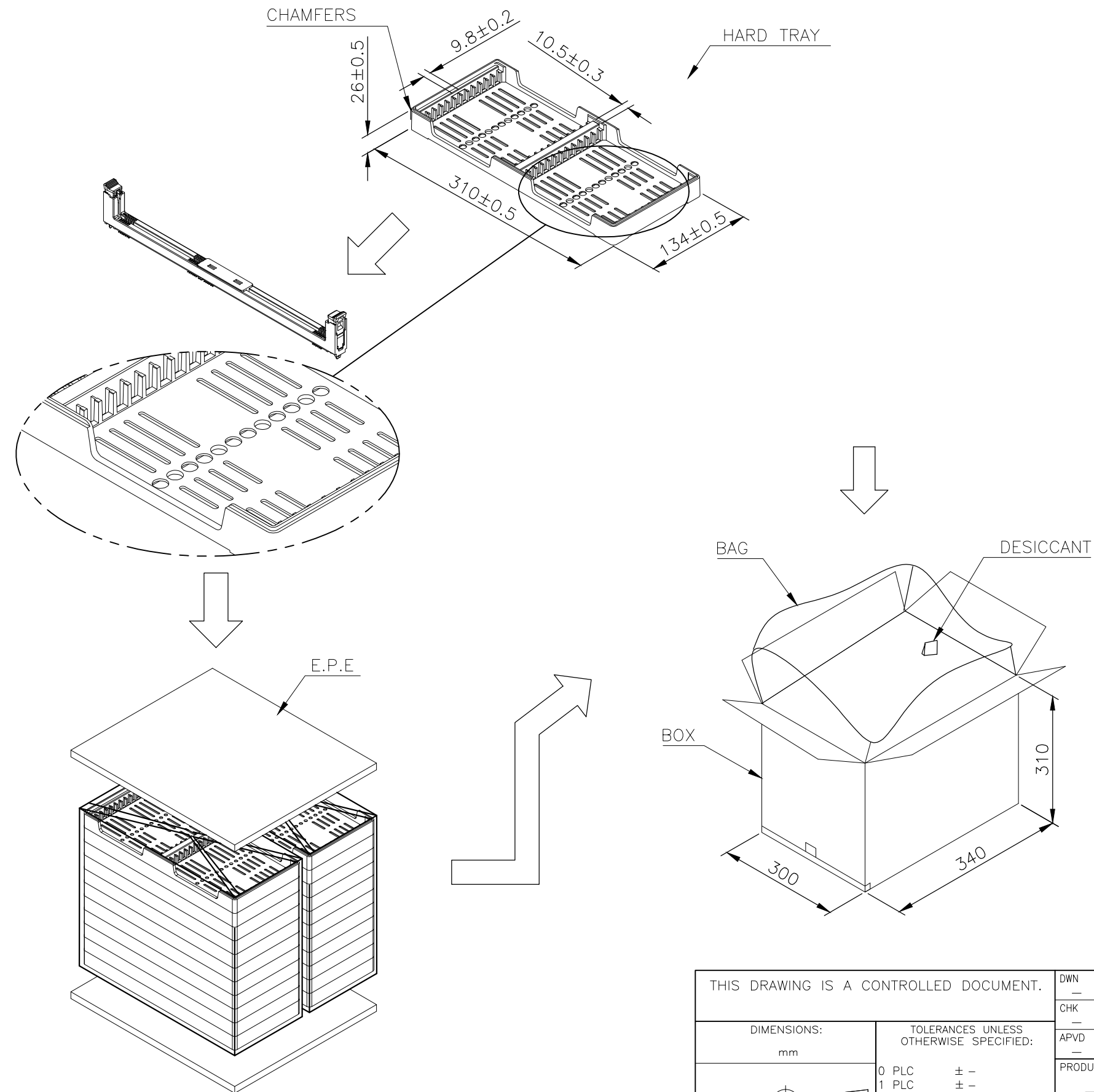
THIS DRAWING IS A CONTROLLED DOCUMENT.		DWN	-		
DIMENSIONS: mm		CHK	-		
TOLERANCES UNLESS OTHERWISE SPECIFIED:		APVD	-		
0 PLC	± -	PRODUCT SPEC	-		
1 PLC	± -	APPLICATION SPEC	-		
2 PLC	± 0.13	SIZE	CAGE CODE	DRAWING NO	RESTRICTED TO
3 PLC	± 0.013	A3	00779	C-1932810	-
4 PLC	± -	WEIGHT	-		
ANGLES	± 1°	CUSTOMER DRAWING			
MATERIAL	SEE NOTE	SCALE		SHEET	REV
		3:2		5 OF 6	E



SOCKET ASSEMBLY  
 VLP DDR-III, SMT, 240P

THIS DRAWING IS UNPUBLISHED. RELEASED FOR PUBLICATION  
 © COPYRIGHT - By - ALL RIGHTS RESERVED.

LOC	DIST	REVISIONS					
		P	LTR	DESCRIPTION	DATE	DWN	APVD
-	-	-	-	SEE SHEET 1	-	-	-



- NOTES :
- PACKING MATERIAL MET TE SPEC TEC-138-702.
  - \* CADMIUM AND CADMIUM COMPOUNDS CONTENT:  
5 PPM UNDER (PLASTIC, RUBBER, INK, PIGMENT, PAINT)
  - \* LEAD, CADMIUM, CHROM VI AND MERCURY IN PACKAGING MATERIALS CONTENT: 100 PPM (COMBINED) UNDER.
1. MATERIAL :
- TRAY: **ABS**, COLOR: BLACK.
  - CARTON: CORRUGATED FIBER
  - BOX: CORRUGATED FIBER
  - TRANSPARENT BAG: PE, SIZE: 500mm\*380mm\*0.06mm
2. EACH BAG SHALL BE INCLUDED:
- \* DESICCANT

9.7 KG	3.4 KG	24	20	480
GROSS WEIGHT	NET WEIGHT	PCS/ TRAY	TRAY/ BOX	PCS/ BOX

THIS DRAWING IS A CONTROLLED DOCUMENT.		DWN	-	<b>STE</b> TE Connectivity								
DIMENSIONS: mm		CHK	-									
TOLERANCES UNLESS OTHERWISE SPECIFIED:		APVD	-	NAME								
0 PLC ± -		PRODUCT SPEC	-	SOCKET ASSEMBLY								
1 PLC ± -		APPLICATION SPEC	-	VLP DDR-III, SMT, 240P								
2 PLC ± 0.13		SIZE	A3	CAGE CODE	00779	DRAWING NO	C-1932810	RESTRICTED TO	-			
3 PLC ± 0.013		WEIGHT	-	CUSTOMER DRAWING			SCALE	N/A	SHEET	6 OF 6	REV	E
4 PLC ± -												
ANGLES ± 1°												
MATERIAL SEE NOTE												
FINISH SEE NOTE												

单击下面可查看定价，库存，交付和生命周期等信息

[>>TE Connectivity\(泰科\)](#)