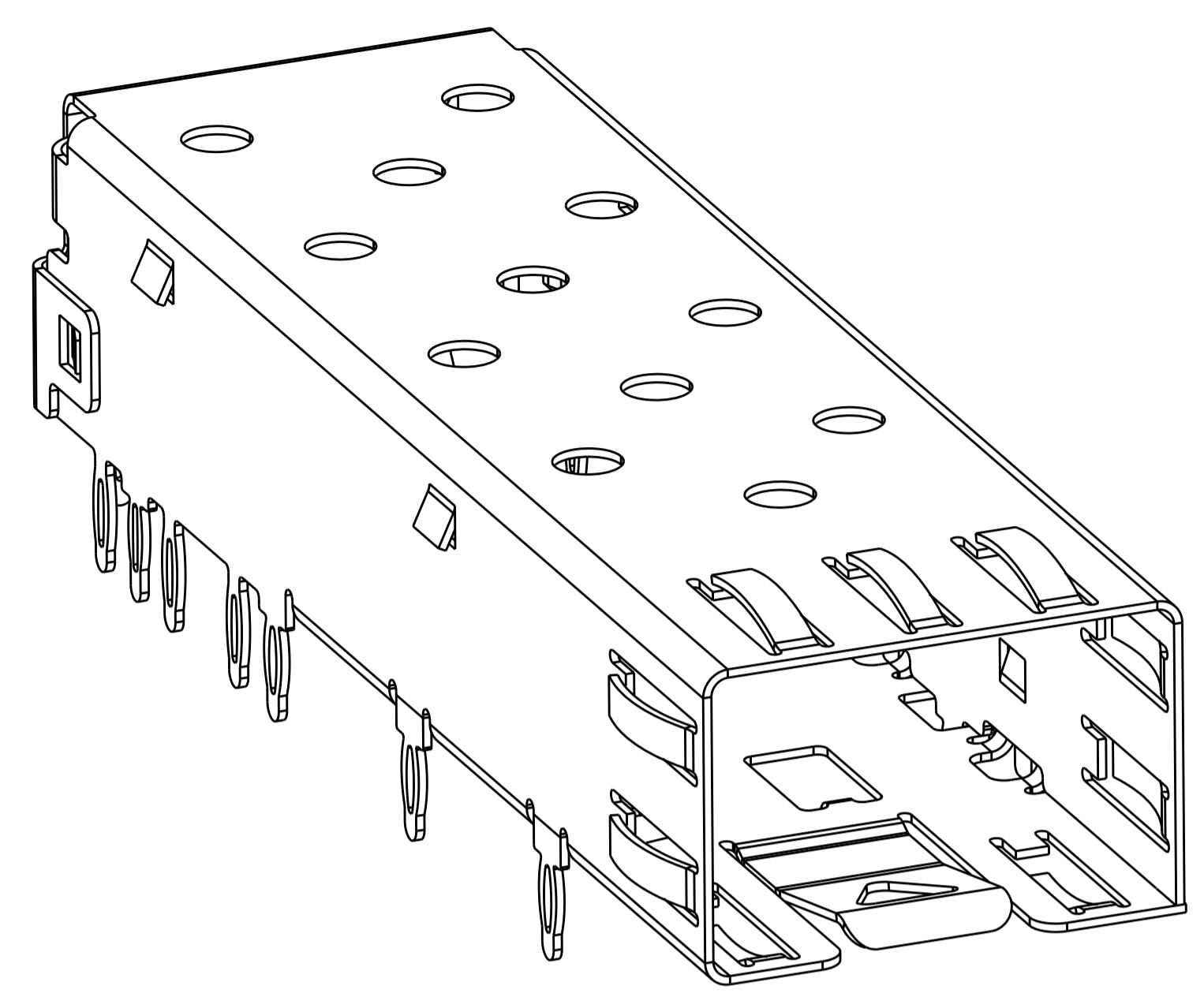
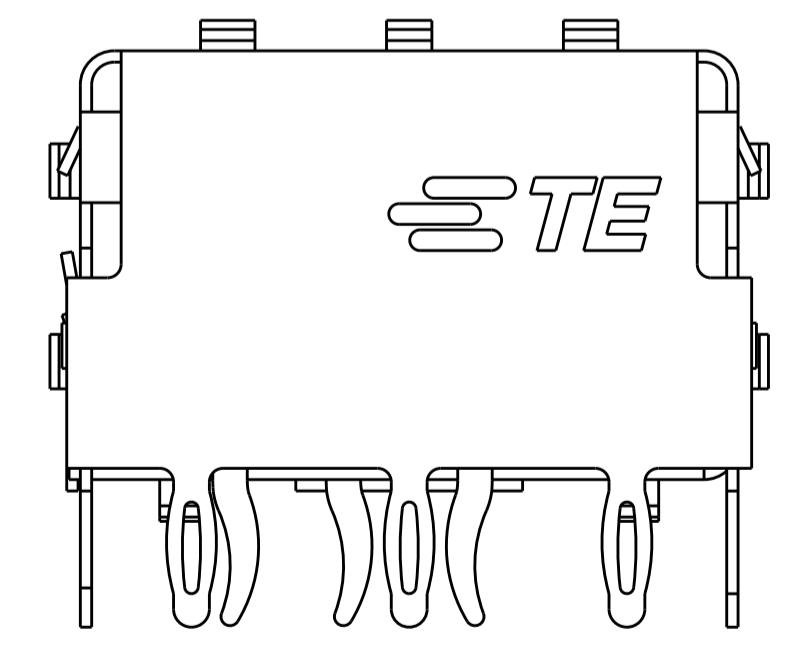
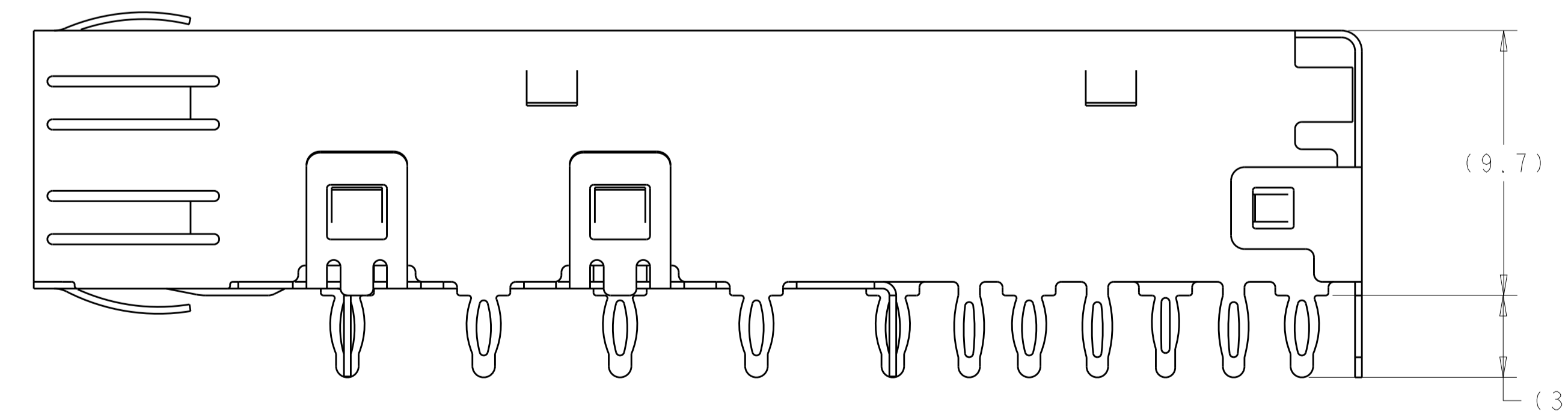
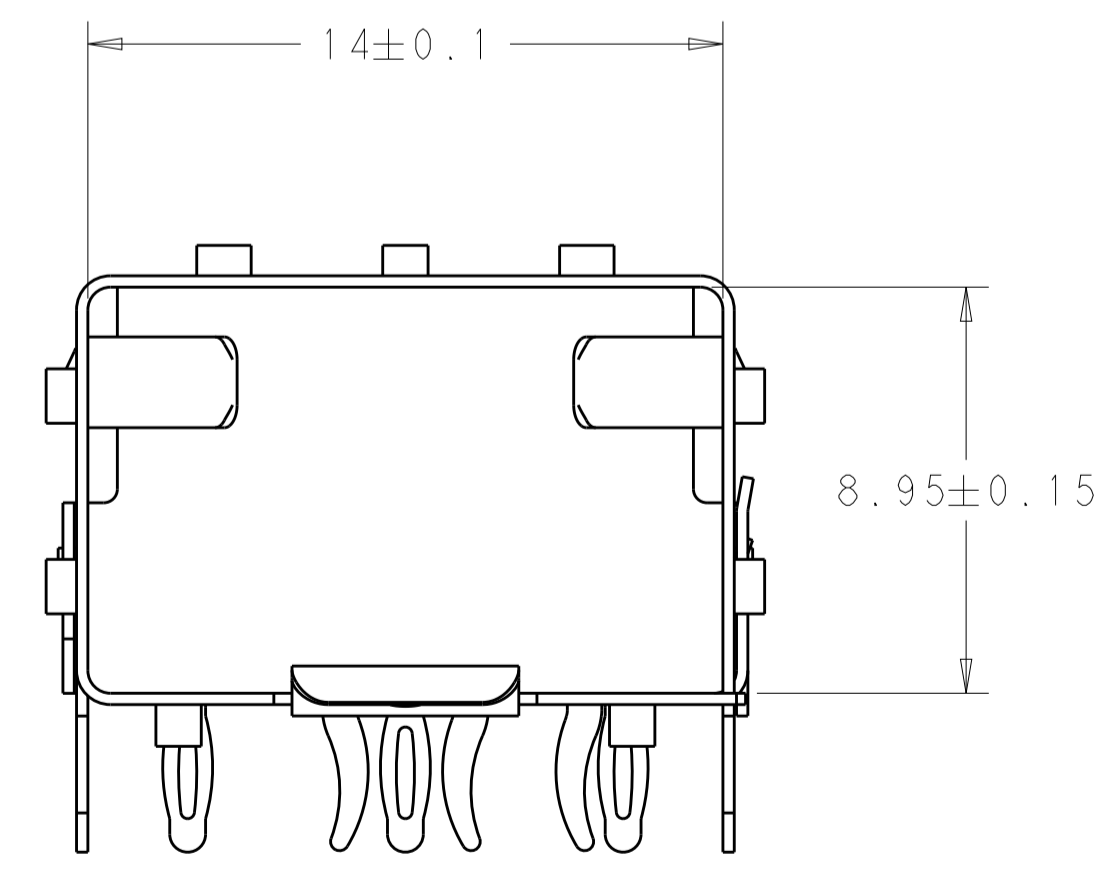
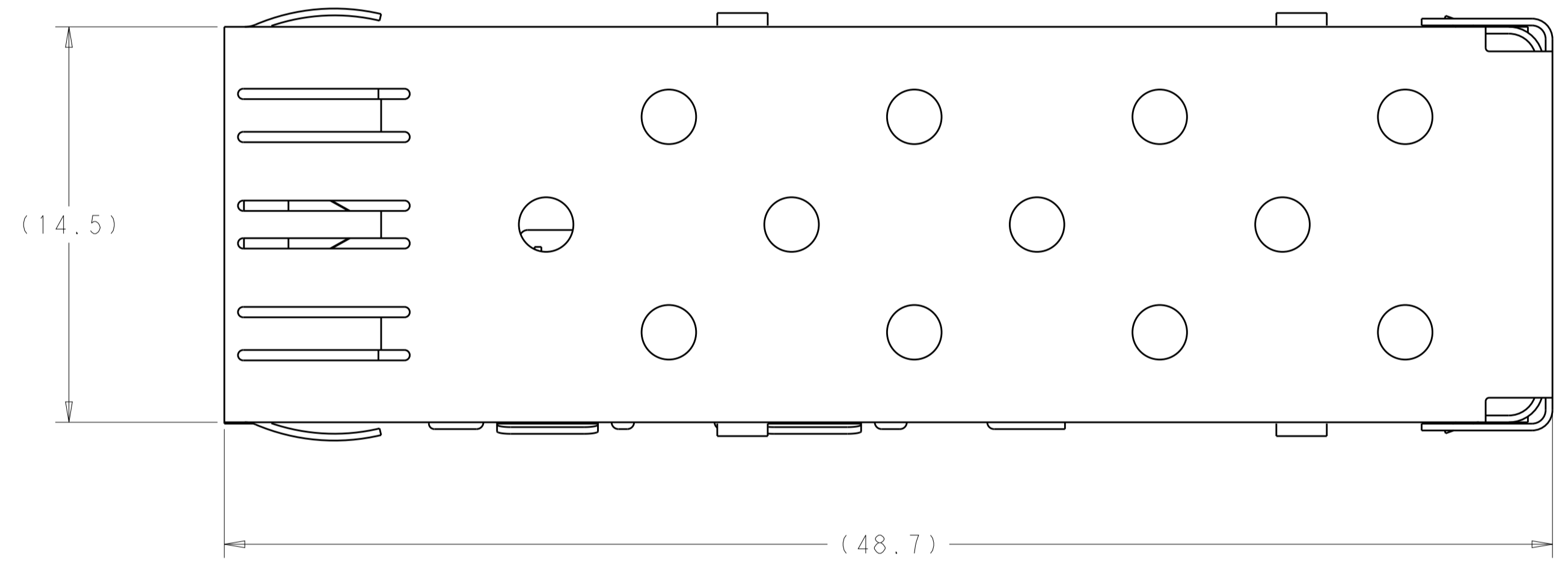


LOC	DIST	REVISIONS					
		P	LTN	DESCRIPTION	DATE	DWN	APVD
GP	00	A		INITIAL RELEASE	21MAY2014	CW	SH
		A1		REVISED PER ECO-15-001812	4-FEB-2015	JW	SH
		A2		REVISED PER ECO-15-011580	10-AUG-2015	JW	SH



ISOMETRIC VIEW  
 2227317-1  
 SCALE 6:1

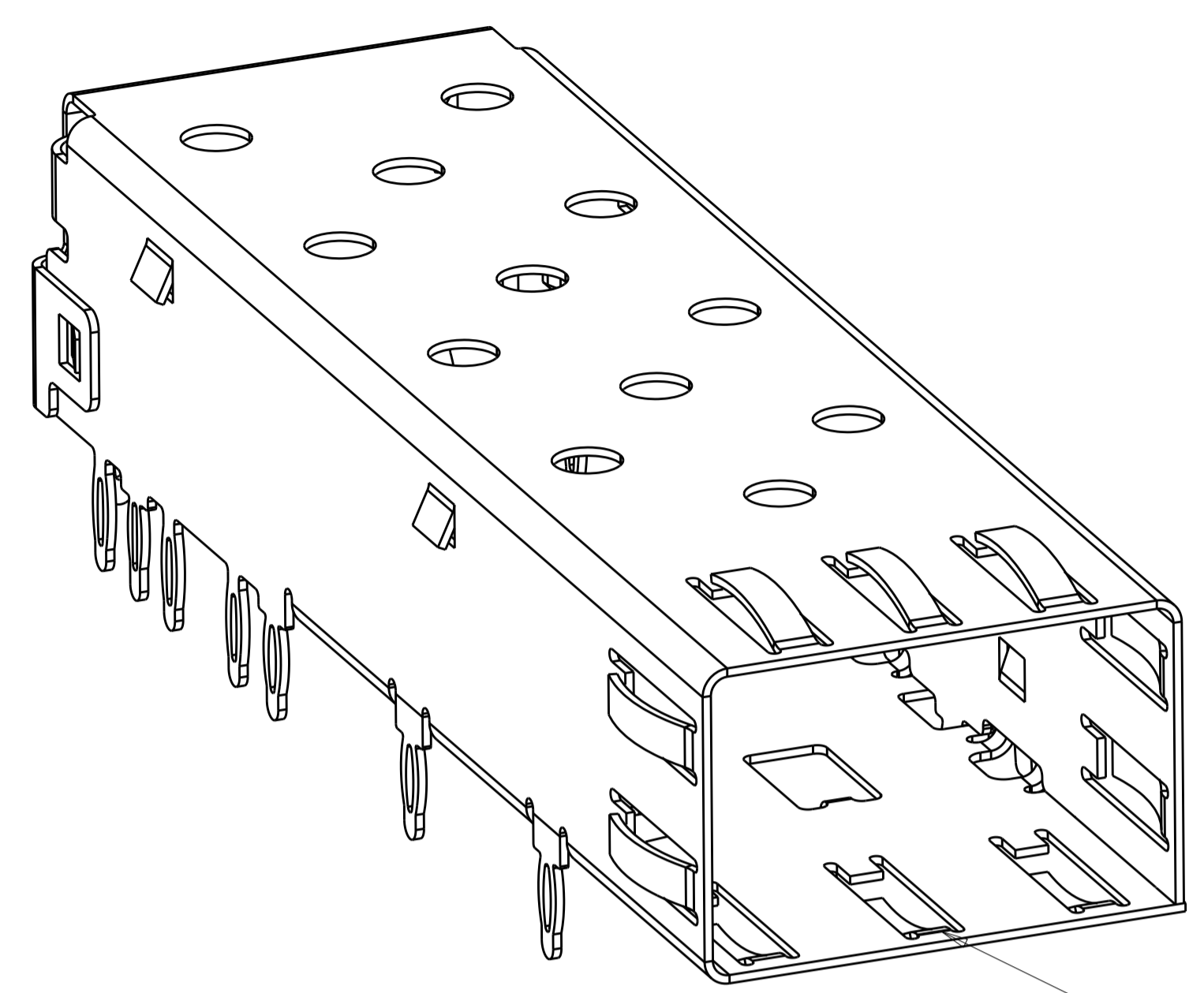
- 1. MATERIAL: 0.25mm THICK STAINLESS STEEL.
- 2. FINISH: NICKEL, NON PLATED EDGES PERMISSIBLE.
- 3. MATES WITH SFP MSA COMPLIANT TRANSCEIVERS.
- 4. PADS AND VIAS CHASSIS GROUND.
- 5. DATUM AND BASIC DIMENSION ESTABLISHED BY CUSTOMER.
- 6. MINIMUM PC BOARD THICKNESS:  
 SINGLE SIDED = 1.50 mm
- 7. REFERENCE APPLICATION SPEC. 114-13120, HOLE A, FOR  
 RECOMMENDED DRILL HOLE DIAMETER AND PLATING THICKNESS(EXCEPT IMMERSION SILVER PLATING).
- 8. REFERENCE APPLICATION SPEC. 114-13120, HOLE C, FOR  
 RECOMMENDED DRILL HOLE DIAMETER AND PLATING THICKNESS(EXCEPT IMMERSION SILVER PLATING).
- 9. THE RECOMMENDED DIMENSIONS FOR HOLES ON PAGE 2/2 ARE NOT COMPATIBLE WITH IMMERSION SILVER PLATING HOLES  
 BECAUSE OF OVERLARGE INSERTION FORCE.



2227317-1  
 PART  
 NUMBER

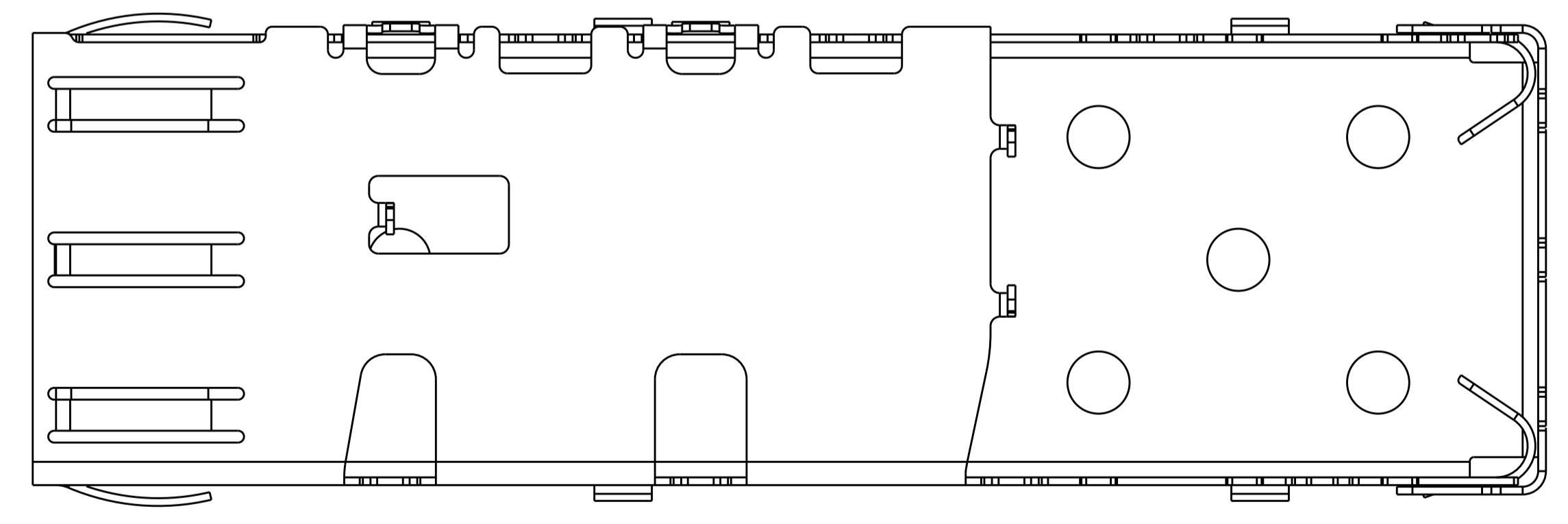
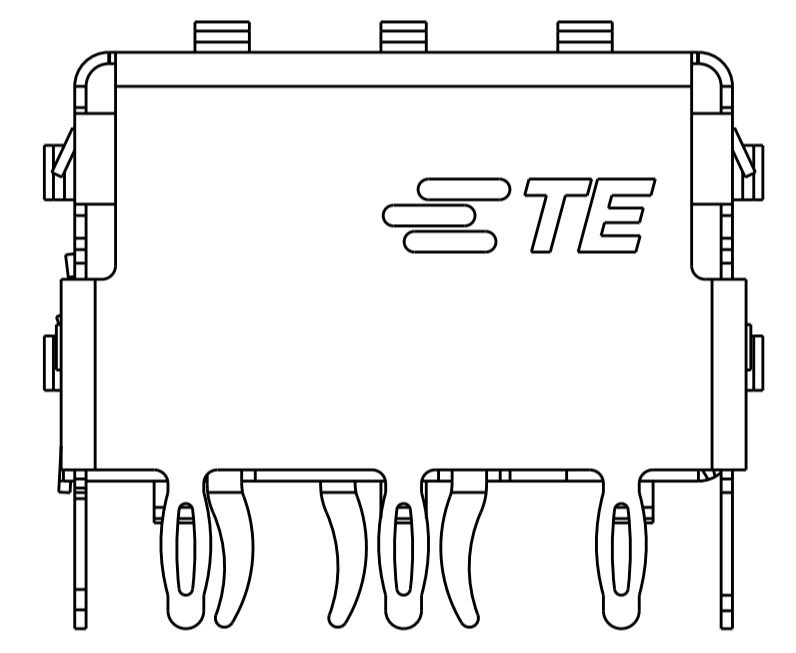
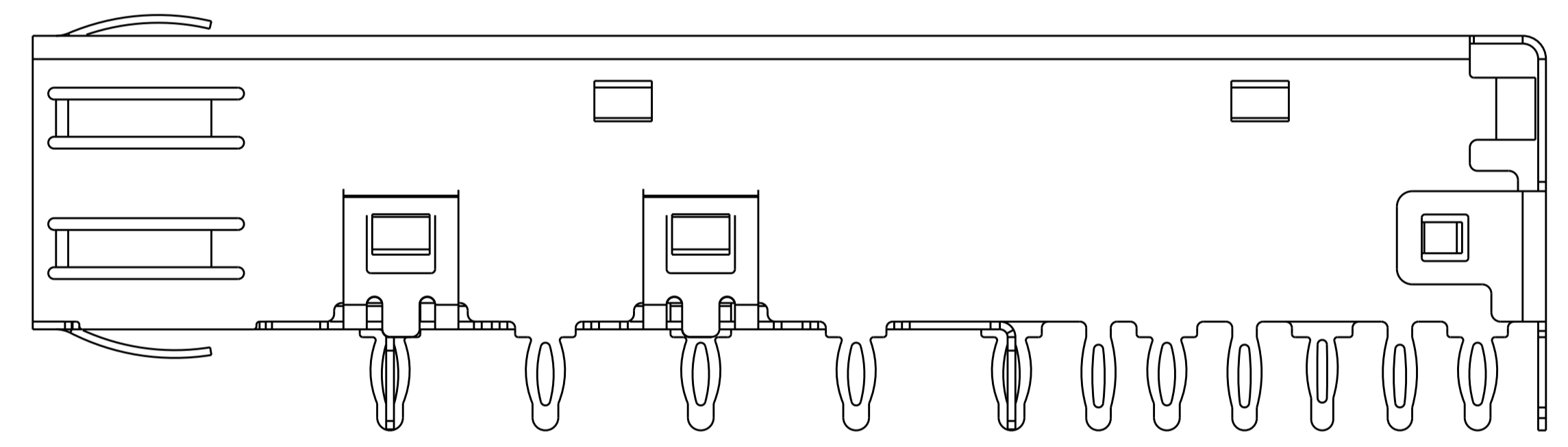
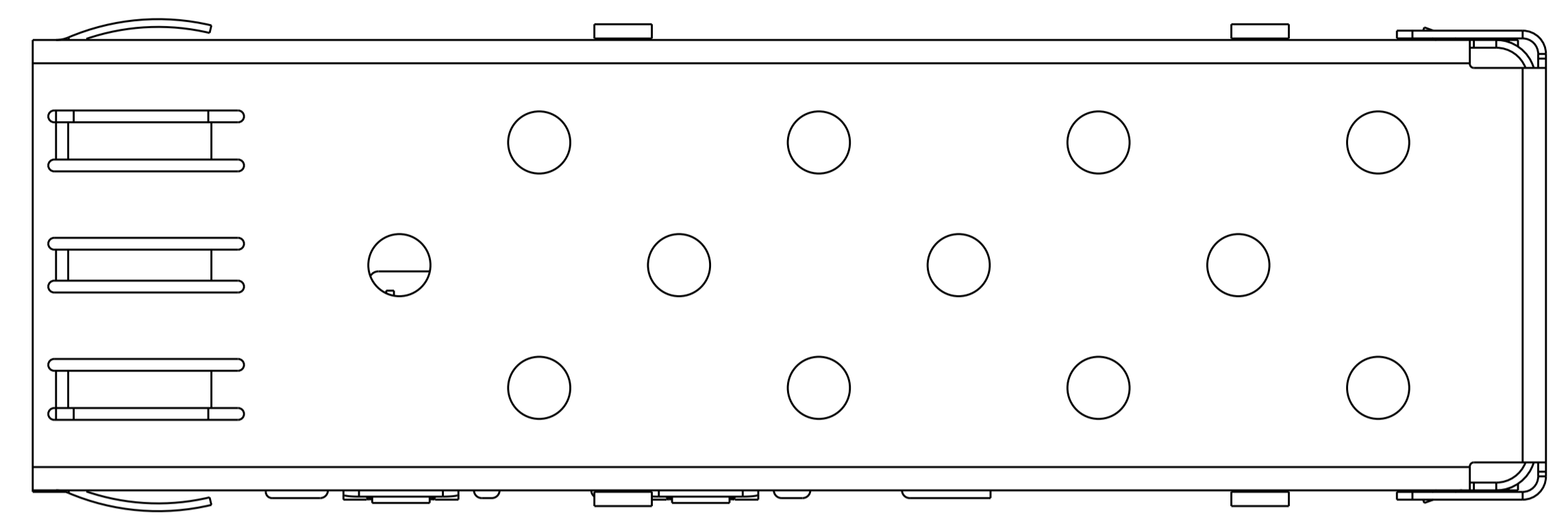
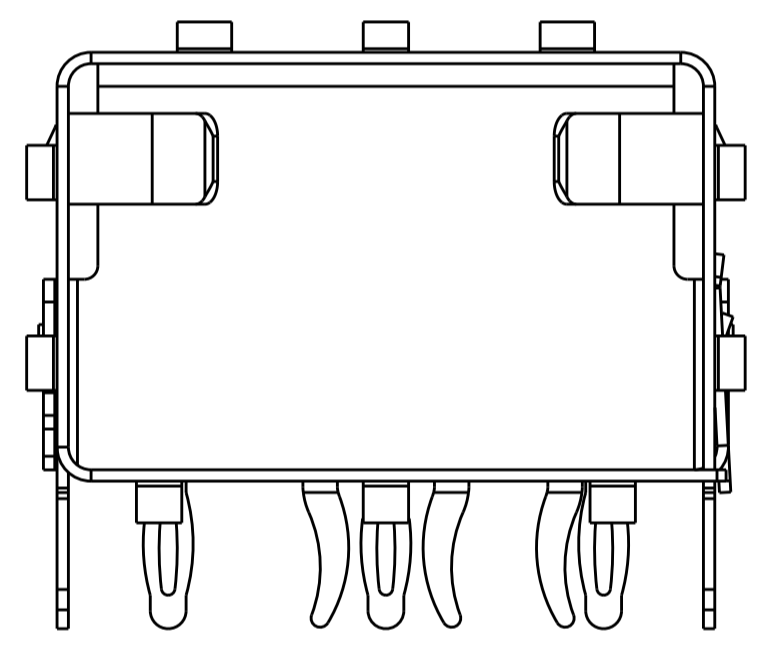
THIS DRAWING IS A CONTROLLED DOCUMENT. DIMENSIONING AND TOLERANCING PER ASME Y14.5M-2009		DWN C. VALENTINE 07NOV2012	TE Connectivity SFP, 1X1 SINGLE PIECE CAGE, W/ LIGHT PIPES, PRESS FIT
DIMENSIONS: mm		CHK M. SCHMITT 07NOV2012	
TOLERANCES UNLESS OTHERWISE SPECIFIED:		APVD M. SCHMITT 07NOV2012	NAME
0 PLC	±	PRODUCT SPEC	
1 PLC	±0.2	108-1950	
2 PLC	±0.1	APPLICATION SPEC	
3 PLC	±0.1	114-13120	
4 PLC	±	WEIGHT	
ANGLES	±	Customer Drawing	
MATERIAL		SCALE 6:1	SHEET 1 OF 4
FINISH		REV A2	

LOC		DIST		REVISIONS			
P	LTN	DATE	DMN	APVD			
-	SEE SHEET 1	-	-	-			



ISOMETRIC VIEW  
SCALE 6:1

NO LATCH

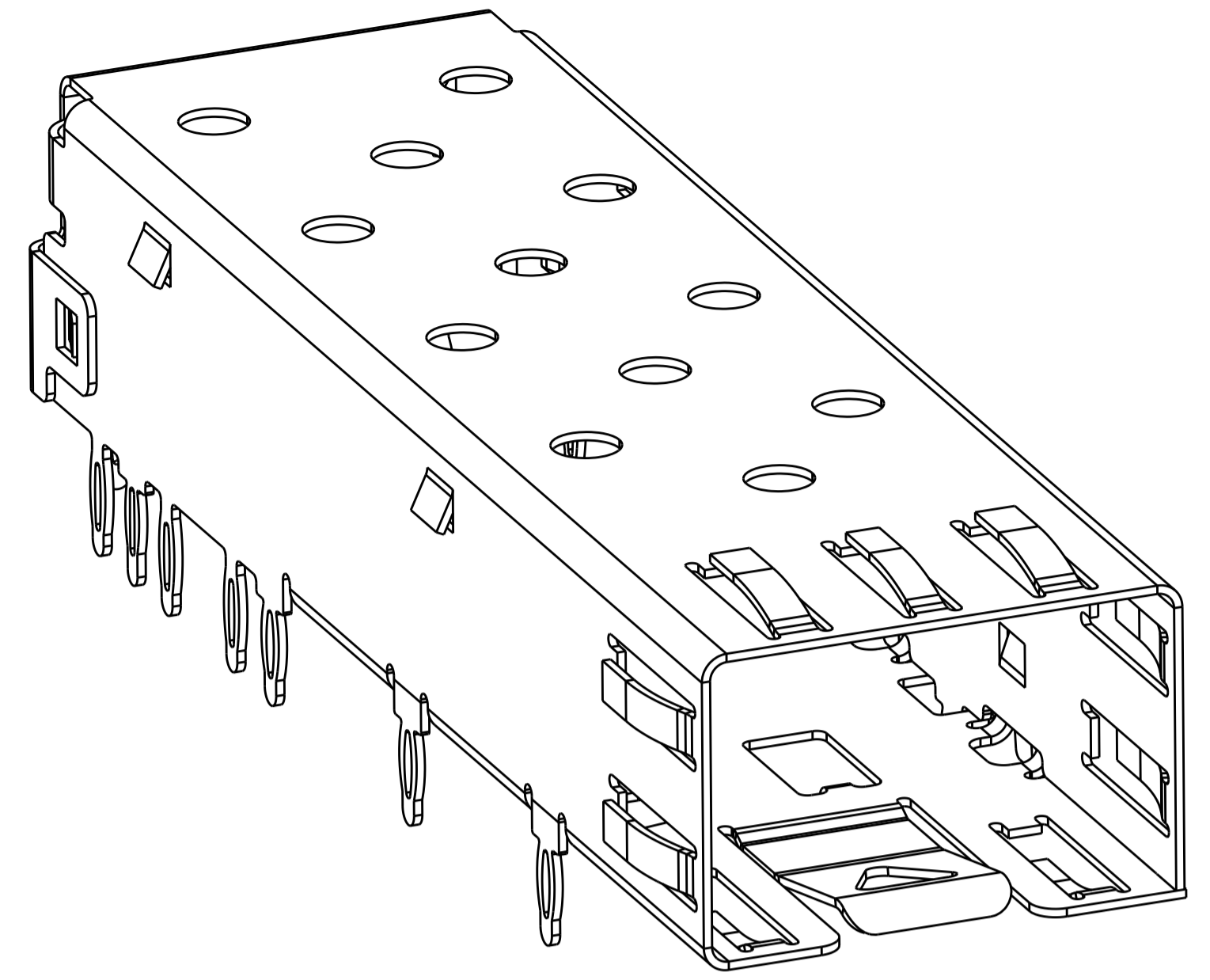


DIMENSIONS SAME AS 2227317-1

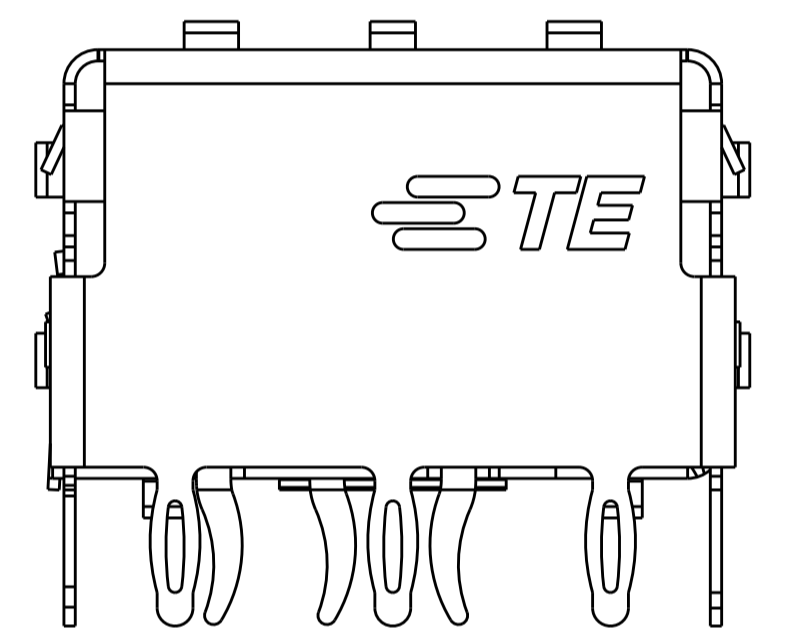
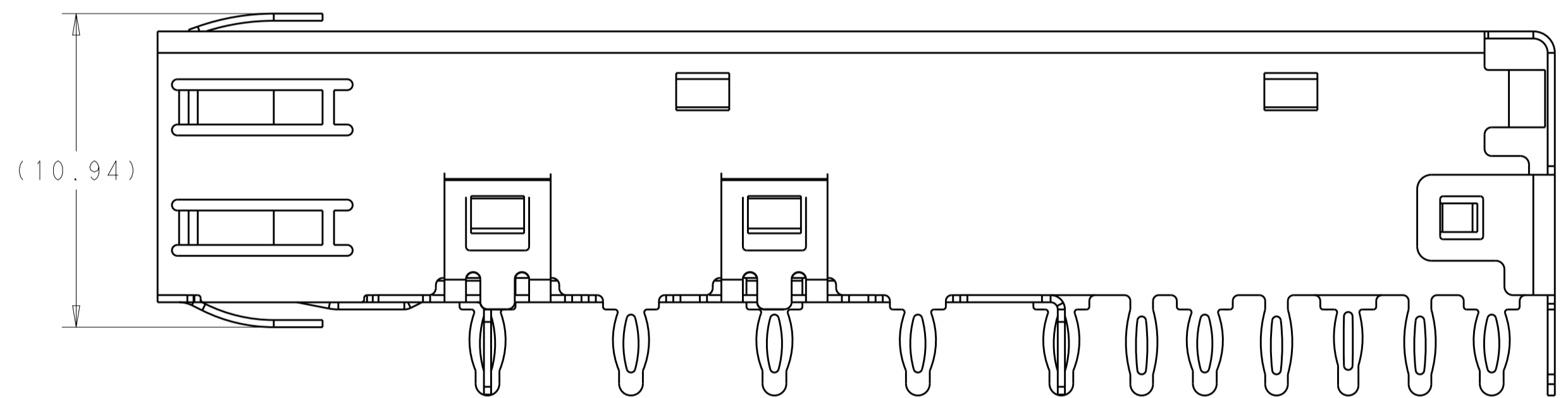
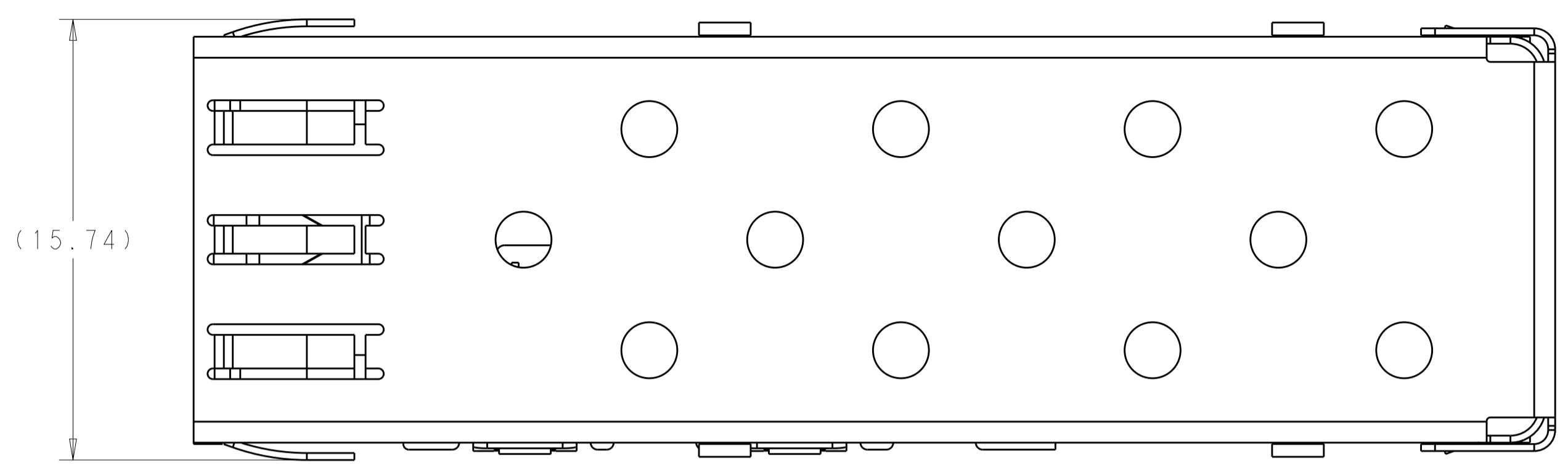
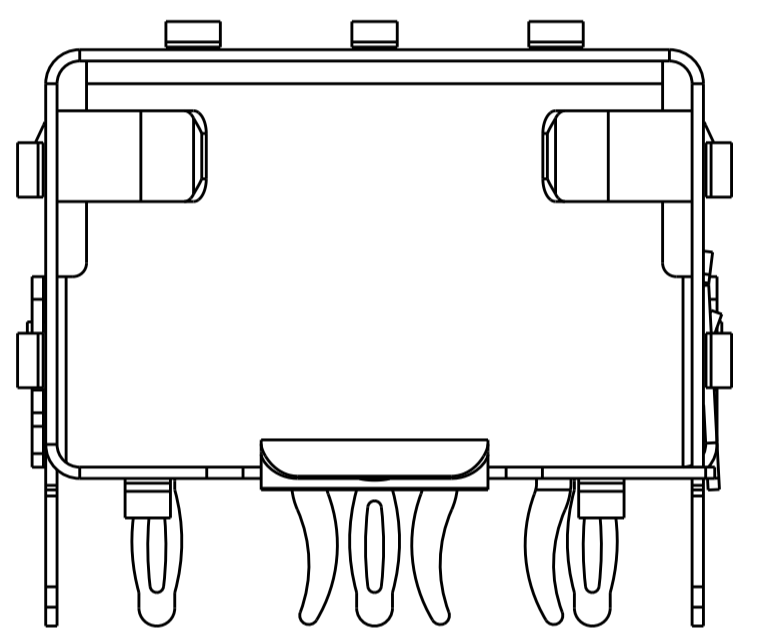
2227317-3  
PART NUMBER

THIS DRAWING IS A CONTROLLED DOCUMENT. DIMENSIONING AND TOLERANCING PER ASME Y14.5M-2009		DMN C. VALENTINE 07NOV2012	TE Connectivity NAME SFP, 1X1 SINGLE PIECE CAGE, W/ LIGHT PIPES, PRESS FIT
DIMENSIONS: mm		CHK M. SCHMITT 07NOV2012	
TOLERANCES UNLESS OTHERWISE SPECIFIED: 0 PLC ±.2 1 PLC ±0.2 2 PLC ±0.1 3 PLC ±0.1 4 PLC ±.1 ANGLES ±° FINISH		APVD M. SCHMITT 07NOV2012	RESTRICTED TO
MATERIAL		PRODUCT SPEC 108-1950	SIZE CAGE CODE DRAWING NO
		APPLICATION SPEC 114-13120	A100779C=2227317
		WEIGHT	SCALE 6:1 SHEET 2 OF 4 REV A2
		Customer Drawing	

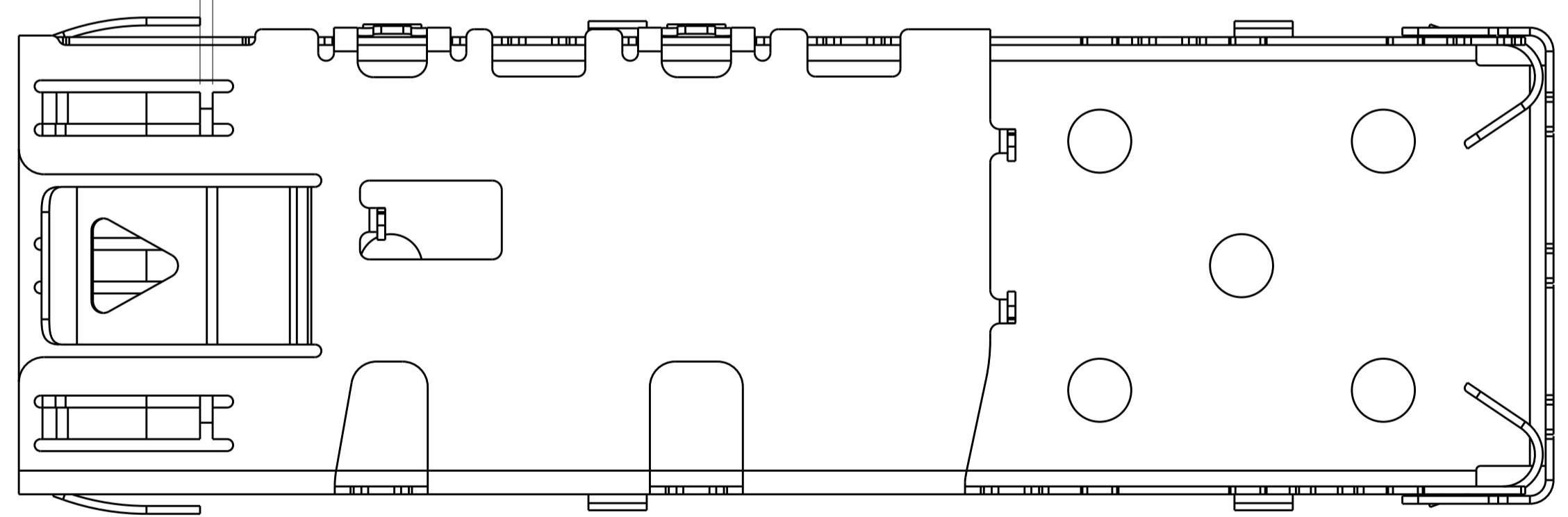
LOC	DIST	REVISIONS					
GP	00	P	LTN	DESCRIPTION	DATE	DWN	APVD
		-		SEE SHEET 1			



ISOMETRIC VIEW  
SCALE 6:1



0.1MIN  
(ALL SPRING FINGERS)



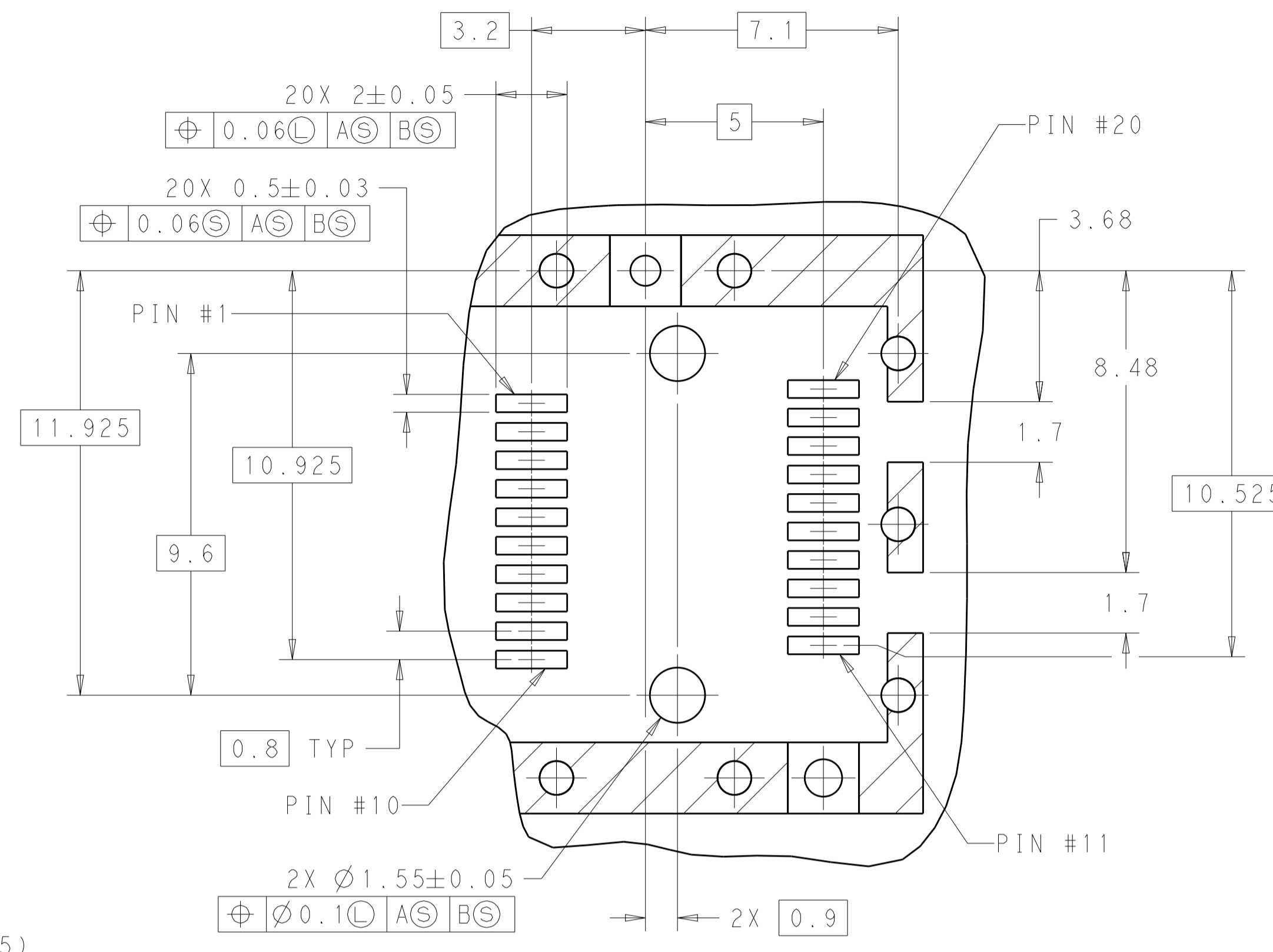
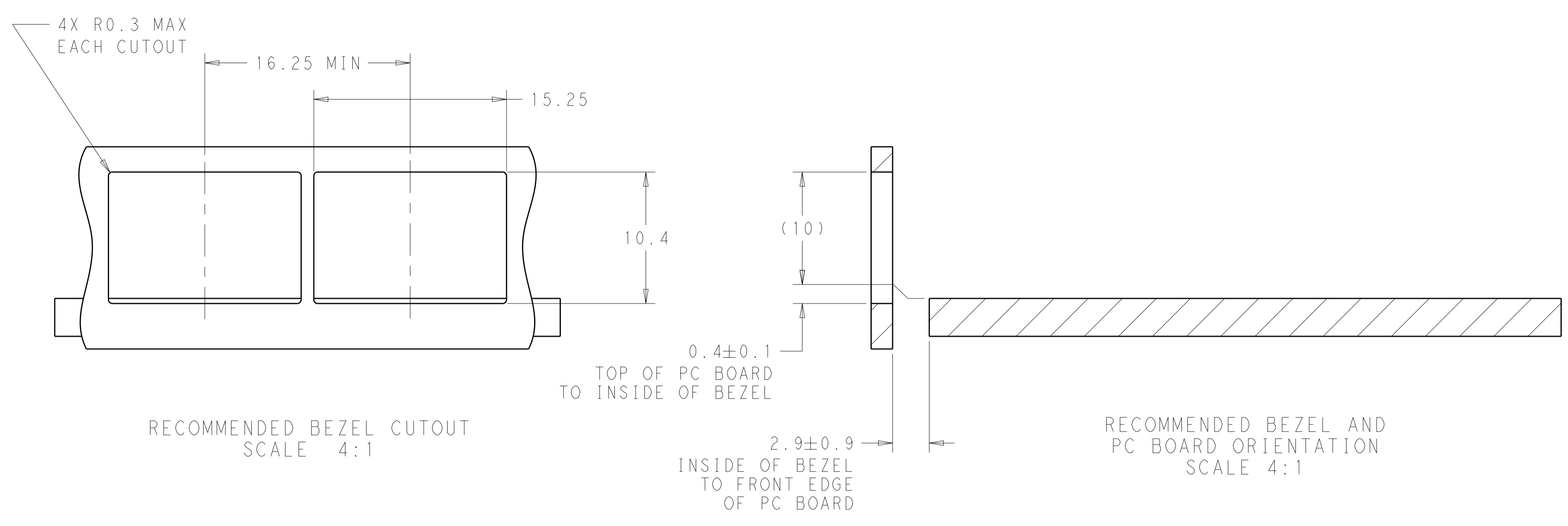
DIMENSIONS SAME AS 2227317-1

2227317-5  
PART NUMBER

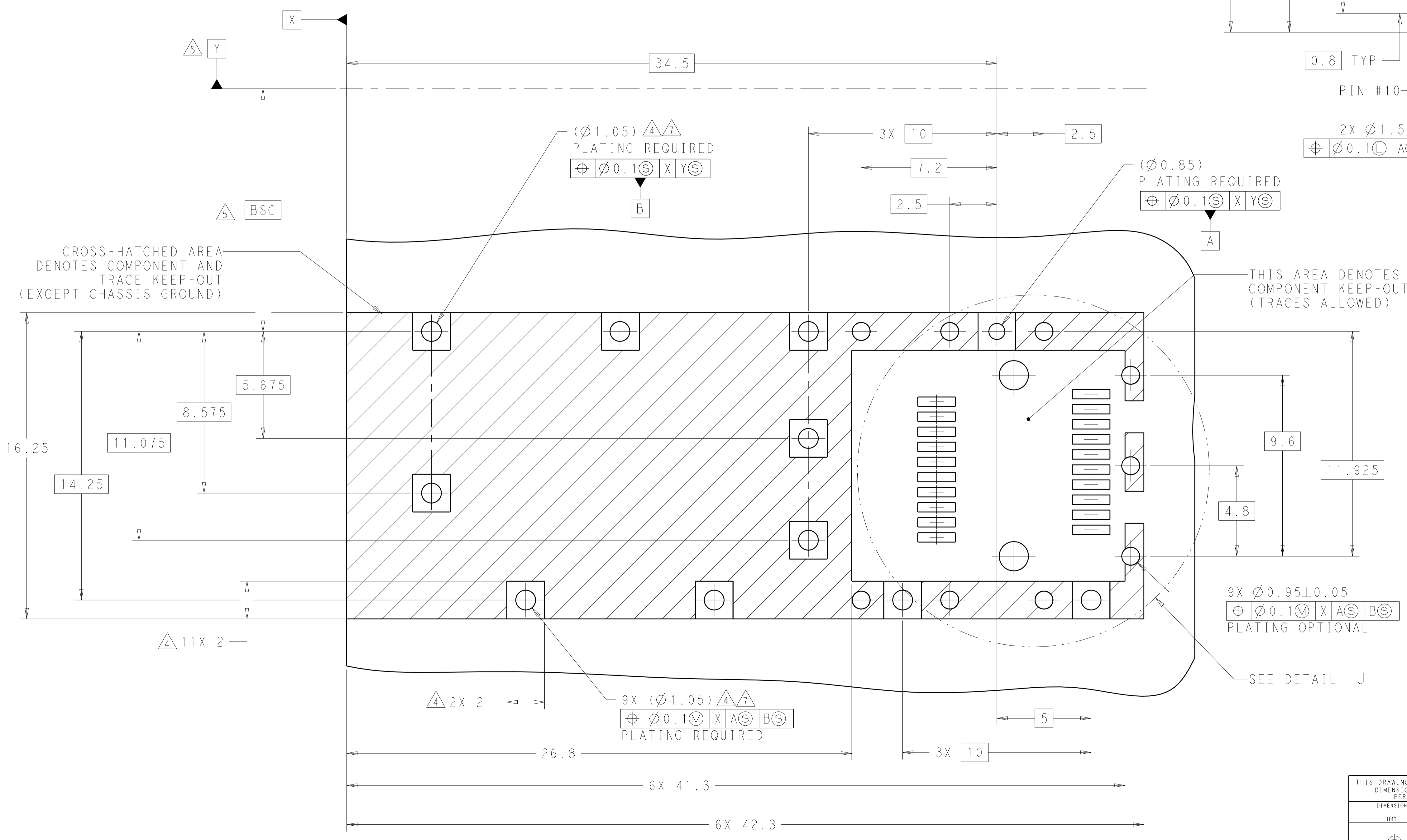
THIS DRAWING IS A CONTROLLED DOCUMENT. DIMENSIONING AND TOLERANCING PER ASME Y14.5M-2009.		DWN: C. VALENTINE CHK: M. SCHMITT APVD: M. SCHMITT	DATE: 07NOV2012 NAME: SFP, 1X1 SINGLE PIECE CAGE, W/ LIGHT PIPES, PRESS FIT
DIMENSIONS: mm 0 PLC ±0.2 1 PLC ±0.1 2 PLC ±0.1 3 PLC ±0.1 4 PLC ±0.1 ANGLES ±° FINISH	TOLERANCES UNLESS OTHERWISE SPECIFIED: ±0.2 ±0.1 ±0.1 ±0.1 ±° ±°	PRODUCT SPEC: 108-1950 APPLICATION SPEC: 114-13120 WEIGHT: -	SIZE: A1 CAGE CODE: 00779 DRAWING NO: C=2227317 RESTRICTED TO: -
MATERIAL: - FINISH: -		CUSTOMER DRAWING	SCALE: 6:1 SHEET: 3 OF 4 REV: A2



LOC	DIST	REV	DESCRIPTION	DATE	DWN	APVD
GP	00		SEE SHEET 1			



DETAIL J SCALE 8:1



THIS DRAWING IS A CONTROLLED DOCUMENT. DIMENSIONING AND TOLERANCING PER ASME Y14.5M-2009		DWN: C. VALENTINE 07NOV2012 CHK: M. SCHMITT 07NOV2012 APVD: M. SCHMITT 07NOV2012	TE Connectivity NAME: SFP, 1X1 SINGLE PIECE CAGE, W/ LIGHT PIPES, PRESS FIT PRODUCT SPEC: 108-1950 APPLICATION SPEC: 114-13120 WEIGHT: - Customer Drawing
DIMENSIONS: mm	TOLERANCES UNLESS OTHERWISE SPECIFIED:	0 PLC ± 1 PLC ±0.2 2 PLC ±0.1 3 PLC ±0.1 4 PLC ± ANGLES ± FINISH: -	
MATERIAL: -	FINISH: -	SIZE: A1 CAGE CODE: 00779 DRAWING NO: C=2227317 SCALE: 1:1 SHEET: 4 OF 4 REV: A2	RESTRICTED TO

单击下面可查看定价，库存，交付和生命周期等信息

[>>TE Connectivity\(泰科\)](#)