

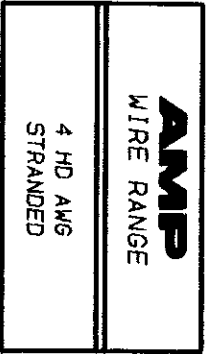
THIS DRAWING IS UNPUBLISHED. RELEASED FOR PUBLICATION
 © COPYRIGHT 19 BY AMP INCORPORATED. ALL INTERNATIONAL RIGHTS RESERVED.

LOC 6 DIST 14

P F ZONE LTR

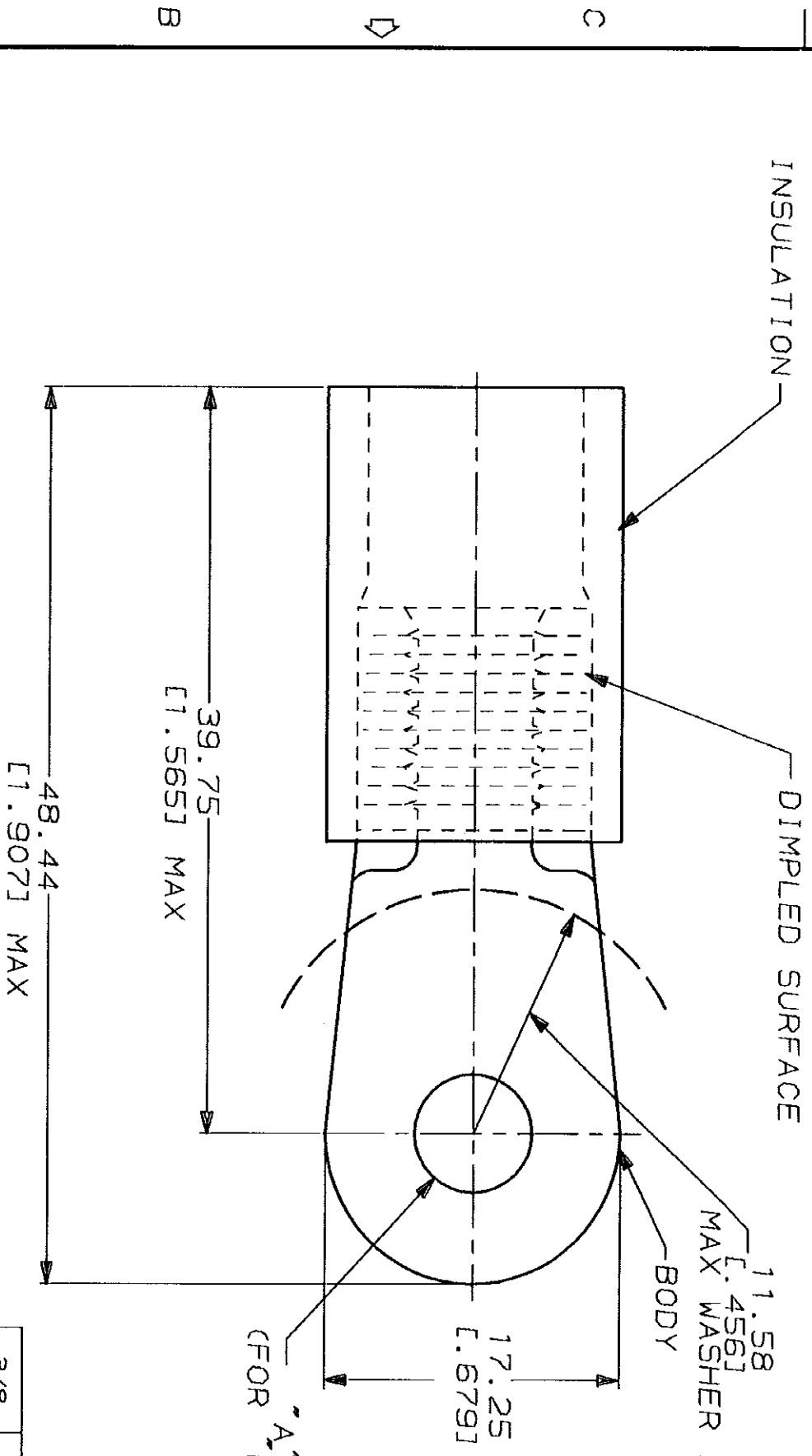
DESCRIPTION EC 0720-0279-93

REVISIONS DATE APPD 6-23-93 556 BB



METRIOR
 DIMENSIONS LISTED IN mm [INCHES]

1. TONGUE MATERIAL THK 2.31±0.08[.091±.004]
 FOR 11.25[.443] MAX WIRE INS DIA



**AMP INCORPORATED
 CUSTOMER SERVICE SYSTEMS**

FOR ADDITIONAL PRODUCT INFORMATION OR COPIES OF DRAWINGS AND TECHNICAL DOCUMENTS
 1-800-522-6752
 PRODUCT INFORMATION CENTER

FOR APPLICATION TOOLS ASSISTANCE CENTER
 1-800-722-1111

FOR ORDER ENTRY
 1-800-526-5142

MAX RECOMMENDED OPERATING TEMPERATURE:
 105°C

VOLTAGE RATING:
 -

CIRCULAR MIL AREA:
 16.8-26.7mm² [39,100-52,600] STRANDED

DO NOT SCALE PRINT. UNLESS SPECIFIED	DR 6-21-93	QTY	PACKAGE TYPE	PART NO
TOLERANCES ON: 1 PLG DEC ± .001 2 PLG DEC ± 0.20[.008] 3 PLG DEC ± .001	S.S. SKULDEN	-	LOOSE PC	1-331421-1
ANGLES	CHK 6-21-93	-		1-331421-0
	R. HERSEY			
	APPD 6-21-93			
	B. BARE			
	APPD 6-21-93			
	H. ELLIS			
	PRODUCT SPEC			
	APPD 6-21-93			
	B. BARE			
	APPD 6-21-93			
	H. ELLIS			
	PRODUCT SPEC			
	APPD 6-21-93			
	B. BARE			
	APPD 6-21-93			
	H. ELLIS			
	PRODUCT SPEC			
	APPD 6-21-93			
	B. BARE			
	APPD 6-21-93			
	H. ELLIS			
	PRODUCT SPEC			
	APPD 6-21-93			
	B. BARE			
	APPD 6-21-93			
	H. ELLIS			
	PRODUCT SPEC			
	APPD 6-21-93			
	B. BARE			
	APPD 6-21-93			
	H. ELLIS			
	PRODUCT SPEC			
	APPD 6-21-93			
	B. BARE			
	APPD 6-21-93			
	H. ELLIS			
	PRODUCT SPEC			
	APPD 6-21-93			
	B. BARE			
	APPD 6-21-93			
	H. ELLIS			
	PRODUCT SPEC			
	APPD 6-21-93			
	B. BARE			
	APPD 6-21-93			
	H. ELLIS			
	PRODUCT SPEC			
	APPD 6-21-93			
	B. BARE			
	APPD 6-21-93			
	H. ELLIS			
	PRODUCT SPEC			
	APPD 6-21-93			
	B. BARE			
	APPD 6-21-93			
	H. ELLIS			
	PRODUCT SPEC			
	APPD 6-21-93			
	B. BARE			
	APPD 6-21-93			
	H. ELLIS			
	PRODUCT SPEC			
	APPD 6-21-93			
	B. BARE			
	APPD 6-21-93			
	H. ELLIS			
	PRODUCT SPEC			
	APPD 6-21-93			
	B. BARE			
	APPD 6-21-93			
	H. ELLIS			
	PRODUCT SPEC			
	APPD 6-21-93			
	B. BARE			
	APPD 6-21-93			
	H. ELLIS			
	PRODUCT SPEC			
	APPD 6-21-93			
	B. BARE			
	APPD 6-21-93			
	H. ELLIS			
	PRODUCT SPEC			
	APPD 6-21-93			
	B. BARE			
	APPD 6-21-93			
	H. ELLIS			
	PRODUCT SPEC			
	APPD 6-21-93			
	B. BARE			
	APPD 6-21-93			
	H. ELLIS			
	PRODUCT SPEC			
	APPD 6-21-93			
	B. BARE			
	APPD 6-21-93			
	H. ELLIS			
	PRODUCT SPEC			
	APPD 6-21-93			
	B. BARE			
	APPD 6-21-93			
	H. ELLIS			
	PRODUCT SPEC			
	APPD 6-21-93			
	B. BARE			
	APPD 6-21-93			
	H. ELLIS			
	PRODUCT SPEC			
	APPD 6-21-93			
	B. BARE			
	APPD 6-21-93			
	H. ELLIS			
	PRODUCT SPEC			
	APPD 6-21-93			
	B. BARE			
	APPD 6-21-93			
	H. ELLIS			
	PRODUCT SPEC			
	APPD 6-21-93			
	B. BARE			
	APPD 6-21-93			
	H. ELLIS			
	PRODUCT SPEC			
	APPD 6-21-93			
	B. BARE			
	APPD 6-21-93			
	H. ELLIS			
	PRODUCT SPEC			
	APPD 6-21-93			
	B. BARE			
	APPD 6-21-93			
	H. ELLIS			
	PRODUCT SPEC			
	APPD 6-21-93			
	B. BARE			
	APPD 6-21-93			
	H. ELLIS			
	PRODUCT SPEC			
	APPD 6-21-93			
	B. BARE			
	APPD 6-21-93			
	H. ELLIS			
	PRODUCT SPEC			
	APPD 6-21-93			
	B. BARE			
	APPD 6-21-93			
	H. ELLIS			
	PRODUCT SPEC			
	APPD 6-21-93			
	B. BARE			
	APPD 6-21-93			
	H. ELLIS			
	PRODUCT SPEC			
	APPD 6-21-93			
	B. BARE			
	APPD 6-21-93			
	H. ELLIS			
	PRODUCT SPEC			
	APPD 6-21-93			
	B. BARE			
	APPD 6-21-93			
	H. ELLIS			
	PRODUCT SPEC			
	APPD 6-21-93			
	B. BARE			
	APPD 6-21-93			
	H. ELLIS			
	PRODUCT SPEC			
	APPD 6-21-93			
	B. BARE			
	APPD 6-21-93			
	H. ELLIS			
	PRODUCT SPEC			
	APPD 6-21-93			
	B. BARE			
	APPD 6-21-93			
	H. ELLIS			
	PRODUCT SPEC			
	APPD 6-21-93			
	B. BARE			
	APPD 6-21-93			
	H. ELLIS			
	PRODUCT SPEC			
	APPD 6-21-93			
	B. BARE			
	APPD 6-21-93			
	H. ELLIS			
	PRODUCT SPEC			
	APPD 6-21-93			
	B. BARE			
	APPD 6-21-93			
	H. ELLIS			
	PRODUCT SPEC			
	APPD 6-21-93			
	B. BARE			
	APPD 6-21-93			
	H. ELLIS			
	PRODUCT SPEC			
	APPD 6-21-93			
	B. BARE			
	APPD 6-21-93			
	H. ELLIS			
	PRODUCT SPEC			
	APPD 6-21-93			
	B. BARE			
	APPD 6-21-93			
	H. ELLIS			
	PRODUCT SPEC			
	APPD 6-21-93			
	B. BARE			
	APPD 6-21-93			
	H. ELLIS			
	PRODUCT SPEC			
	APPD 6-21-93			
	B. BARE			
	APPD 6-21-93			
	H. ELLIS			
	PRODUCT SPEC			
	APPD 6-21-93			
	B. BARE			
	APPD 6-21-93			
	H. ELLIS			
	PRODUCT SPEC			
	APPD 6-21-93			
	B. BARE			
	APPD 6-21-93			
	H. ELLIS			
	PRODUCT SPEC			
	APPD 6-21-93			
	B. BARE			
	APPD 6-21-93			
	H. ELLIS			
	PRODUCT SPEC			
	APPD 6-21-93			
	B. BARE			
	APPD 6-21-93			
	H. ELLIS			
	PRODUCT SPEC			
	APPD 6-21-93			
	B. BARE			
	APPD 6-21-93			
	H. ELLIS			
	PRODUCT SPEC			
	APPD 6-21-93			
	B. BARE			
	APPD 6-21-93			
	H. ELLIS			
	PRODUCT SPEC			
	APPD 6-21-93			
	B. BARE			
	APPD 6-21-93			
	H. ELLIS			
	PRODUCT SPEC			
	APPD 6-21-93			
	B. BARE			
	APPD 6-21-93			
	H. ELLIS			
	PRODUCT SPEC			
	APPD 6-21-93			
	B. BARE			
	APPD 6-21-93			
	H. ELLIS			
	PRODUCT SPEC			
	APPD 6-21-93			
	B. BARE			
	APPD 6-21-93			
	H. ELLIS			
	PRODUCT SPEC			
	APPD 6-21-93			
	B. BARE			
	APPD 6-21-93			
	H. ELLIS			
	PRODUCT SPEC			
	APPD 6-21-93			
	B. BARE			
	APPD 6-21-93			
	H. ELLIS			
	PRODUCT SPEC			
	APPD 6-21-93			
	B. BARE			
	APPD 6-21-93			
	H. ELLIS			
	PRODUCT SPEC			
	APPD 6-21-93			
	B. BARE			
	APPD 6-21-93			
	H. ELLIS			
	PRODUCT SPEC			
	APPD 6-21-93			
	B. BARE			
	APPD 6-21-93			

单击下面可查看定价，库存，交付和生命周期等信息

[>>TE Connectivity\(泰科\)](#)